

## TLK10031 Single-Channel XAUI/10GBASE-KR Transceiver

### 1 Device Overview

#### 1.1 Features

- Single Channel Multi-Rate Transceiver
- Supports 10GBASE-KR, XAUI, and 1GBASE-KX Ethernet Standards
- Supports all CPRI and OBSAI Data Rates up to 10 Gbps
- Supports Multi-Rate SERDES Operation with up to 10.3125 Gbps Data Rate on the High Speed Side and up to 5 Gbps on the Low Speed Side
- Differential CML I/Os on Both High Speed and Low Speed Sides
- Interface to Backplanes, Passive and Active Copper Cables, or SFP+ Optical Modules
- Selectable Reference Clock with Multiple Output Clock Options
- Supports PRBS, CRPAT, CJPAT, High/Low/Mixed-Frequency Patterns, and KR Pseudo-Random Pattern Generation and Verification, Square-Wave Generation
- Supports Data Retime Operation
- Two Power Supplies: 1 V (Core), and 1.5 or 1.8 V (I/O)
- No Power Supply Sequencing Requirements
- Transmit De-emphasis and Receive Adaptive Equalization to Allow Extended Backplane/Cable Reach on Both High Speed and Low Speed Sides
- Loss of Signal (LOS) Detection
- Supports 10G-KR Link Training, Forward Error Correction, Auto-Negotiation
- Jumbo Packet Support
- JTAG; IEEE 1149.1 Test Interface
- Industry Standard MDIO Control Interface
- 65nm Advanced CMOS Technology
- Industrial Ambient Operating Temperature (–40°C to 85°C)
- Power Consumption: 800 mW (Nominal)

#### 1.2 Applications

- 10GBASE-KR Compliant Backplane Links
- 10 Gigabit Ethernet Switch, Router, and Network Interface Cards
- Proprietary Cable/Backplane Links
- High-Speed Point-to-Point Transmission Systems

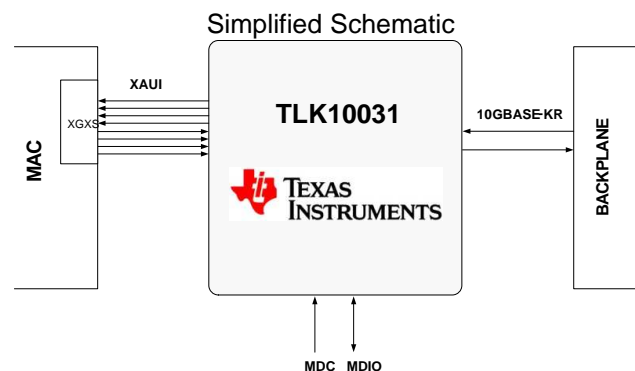
#### 1.3 Description

The TLK10031 is a single-channel multi-rate transceiver intended for use in high-speed bi-directional point-to-point data transmission systems. This device supports three primary modes. It can be used as a XAUI to 10GBASE-KR transceiver, as a general-purpose 8b/10b multi-rate 4:1, 2:1, or 1:1 serializer/deserializer, or can be used in 1G-KX mode.

#### Device Information<sup>(1)</sup>

PART NUMBER	PACKAGE	BODY SIZE (NOM)
TLK10031	FCBGA (144)	13.00mm x 13.00mm

(1) For more information, see [Section 12, Mechanical Packaging and Orderable Information](#).



## Table of Contents

<b>1</b>	<b>Device Overview</b> .....	<b><a href="#">1</a></b>	5.12	Typical Characteristics .....	<b><a href="#">15</a></b>
1.1	Features .....	<a href="#">1</a>	<b>6</b>	<b>Parametric Measurement Information</b> .....	<b><a href="#">16</a></b>
1.2	Applications .....	<a href="#">1</a>	<b>7</b>	<b>Detailed Description</b> .....	<b><a href="#">18</a></b>
1.3	Description .....	<a href="#">1</a>	7.1	Overview .....	<a href="#">18</a>
<b>2</b>	<b>Revision History</b> .....	<b><a href="#">2</a></b>	7.2	Functional Block Diagrams .....	<a href="#">18</a>
<b>3</b>	<b>Description (continued)</b> .....	<b><a href="#">3</a></b>	7.3	Feature Description .....	<a href="#">20</a>
<b>4</b>	<b>Pin Configuration and Functions</b> .....	<b><a href="#">4</a></b>	7.4	Device Functional Modes .....	<a href="#">26</a>
4.1	Pin Configurations .....	<a href="#">4</a>	7.5	Register Maps .....	<a href="#">55</a>
4.2	Pin Functions .....	<a href="#">4</a>	<b>8</b>	<b>Applications and Implementation</b> .....	<b><a href="#">134</a></b>
<b>5</b>	<b>Specifications</b> .....	<b><a href="#">8</a></b>	8.1	Application Information .....	<a href="#">134</a>
5.1	Absolute Maximum Ratings .....	<a href="#">8</a>	8.2	Typical Application .....	<a href="#">134</a>
5.2	ESD Ratings .....	<a href="#">8</a>	<b>9</b>	<b>Power Supply Recommendations</b> .....	<b><a href="#">136</a></b>
5.3	Recommended Operating Conditions .....	<a href="#">8</a>	<b>10</b>	<b>Layout</b> .....	<b><a href="#">137</a></b>
5.4	Thermal Information .....	<a href="#">9</a>	10.1	Layout Guidelines .....	<a href="#">137</a>
5.5	Electrical Characteristics: High Speed Side Serial Transmitter .....	<a href="#">10</a>	10.2	Layout Example .....	<a href="#">141</a>
5.6	Electrical Characteristics: High Speed Side Serial Receiver .....	<a href="#">11</a>	<b>11</b>	<b>Device and Documentation Support</b> .....	<b><a href="#">142</a></b>
5.7	Electrical Characteristics: Low Speed Side Serial Transmitter .....	<a href="#">12</a>	11.1	Community Resources .....	<a href="#">142</a>
5.8	Electrical Characteristics: Low Speed Side Serial Receiver .....	<a href="#">13</a>	11.2	Trademarks .....	<a href="#">142</a>
5.9	Electrical Characteristics: LVCMOS (VDDO): .....	<a href="#">13</a>	11.3	Electrostatic Discharge Caution .....	<a href="#">142</a>
5.10	Electrical Characteristics: Clocks .....	<a href="#">13</a>	11.4	Glossary .....	<a href="#">142</a>
5.11	Timing Requirements .....	<a href="#">14</a>	<b>12</b>	<b>Mechanical Packaging and Orderable Information</b> .....	<b><a href="#">142</a></b>
			12.1	Packaging Information .....	<a href="#">142</a>

## 2 Revision History

Changes from Original (July 2015) to Revision A	Page
• Changed the <i>TLK10031 Pinout</i> image to include the column numbers .....	<a href="#">4</a>
• Changed Pin B1 From: 1NINA To: INA1N; Changed Pin E1 From: INA1P To: INA3N in the <i>TLK10031 Pinout</i> image .....	<a href="#">4</a>
• Added Pin numbers: H3, L6, and M1 To Pin VSS in the <i>Pin Description - Power Pins</i> table .....	<a href="#">7</a>

### 3 Description (continued)

While operating in the 10GBASE-KR mode, the TLK10031 performs serialization of the 8B/10B encoded XAUI data stream presented on its low speed (LS) side data inputs. The serialized 8B/10B encoded data is presented on the high speed (HS) side outputs in 64B/66B encoding format. Likewise, the TLK10031 performs deserialization of 64B/66B encoded data streams presented on its high speed side data inputs. The deserialized 64B/66B data is presented in XAUI 8B/10B format on the low speed side outputs. Link Training is supported in this mode as well as Forward Error Correction (FEC) for extended length applications.

While operating in the General Purpose SERDES mode, the TLK10031 performs 2:1 and 4:1 serialization of the 8B/10B encoded data streams presented on its low speed (LS) side data inputs. The serialized 8B/10B encoded data is presented on the high speed (HS) side outputs. Likewise, the TLK10031 performs 1:2 and 1:4 deserialization of 8B/10B encoded data streams presented on its high speed side data inputs. The deserialized 8B/10B encoded data is presented on the low speed side outputs. Depending on the serialization/deserialization ratio, the low speed side data rate can range from 0.5 Gbps to 5 Gbps and the high speed side data rate can range from 1 Gbps to 10 Gbps. 1:1 retiming mode is also supported but limited to 1 Gbps to 5 Gbps rates.

The TLK10031 also supports 1G-KX (1.25 Gbps) mode with PCS (CTC) capabilities. This mode can be enabled via software provisioning or via auto negotiation. If software provisioning is used, data rates up to 3.125 Gbps are supported.

The TLK10031 features a built-in crosspoint switch, allowing for redundant outputs and easy re-routing of data. Each output port (either high speed or low speed) can be configured to output data coming from any of the device's input ports. The switching can be initiated through either a hardware pin or through software control, and can be configured to occur either immediately or after the end of the current packet. This allows for switching between data sources without packet corruption.

Both low speed and high speed side data inputs and outputs are of differential current mode logic (CML) type with integrated termination resistors.

The TLK10031 provides flexible clocking schemes to support various operations. They include the support for clocking with an externally-jitter-cleaned clock recovered from the high speed side. The device is also capable of performing clock tolerance compensation (CTC) in 10GBASE-KR and 1GBASE-KX modes, allowing for asynchronous clocking.

The TLK10031 provides low speed side and high speed side loopback modes for self-test and system diagnostic purposes.

The TLK10031 has built-in pattern generators and verifiers to help in system tests. The device supports generation and verification of various PRBS, High-/Low-/Mixed-Frequency, CRPAT long/short, CJPAT, and KR pseudo-random test patterns and square wave generation. The types of patterns supported on the low speed and high speed side are dependent on the operational mode chosen.

The TLK10031 has an integrated loss of signal (LOS) detection function on both high speed and low speed sides. LOS is asserted in conditions where the input differential voltage swing is less than the LOS assert threshold.

The low speed side of the TLK10031 is ideal for interfacing with an FPGA, ASIC, MAC, or network processor capable of handling lower-rate serial data streams. The high speed side is ideal for interfacing with remote systems through optical fibers, electrical cables, or backplane interfaces. The device supports operation with SFP and SFP+ optical modules, as well as 10GBASE-KR compatible backplane systems.

## 4 Pin Configuration and Functions

A 13-mm x 13-mm, 144-pin PBGA package with a ball pitch of 1 mm is used.

### 4.1 Pin Configurations

TLK10031 Pinout

	1	2	3	4	5	6	7	8	9	10	11	12
A	INA1P	VSS	INA0N	INA0P	VSS	OUTA0P	OUTA0N	PDTRXA_N	RSV0	RSV1	VSS	HSRXAN
B	INA1N	INA2P	VSS	VSS	OUTA1P	OUTA1N	VSS	TMS	PRBSEN	LS_OK_IN_A	VSS	HSRXAP
C	VSS	INA2N	VDDRA_LS	OUTA2P	OUTA2N	VSS	VDDO0	TDI	CLKOUTAP	CLKOUTAN	AMUX0	VSS
D	INA3P	VDDA_LS	VSS	AMUX1	VSS	TDO	VPP	TCK	LS_OK_OUT_A	VSS	VSS	HSTXAP
E	INA3N	VSS	OUTA3N	VSS	TRST_N	VDDD	DVDD	VDDD	LOSA	PRTAD0	VDDRA_HS	HSTXAN
F	VSS	VDDA_LS	OUTA3P	VDDT_LS	VSS	VDDD	DVDD	VSS	VDDT_HS	VSS	VDDA_HS	VSS
G	VSS	VDDA_LS	VSS	VDDT_LS	VSS	DVDD	VSS	DVDD	PRTAD1	VDDA_HS	VSS	RSV2
H	VSS	VSS	VSS	VSS	RESET_N	VDDD	DVDD	VDDD	RSV3	MODE_SEL	VSS	RSV4
J	VSS	VDDA_LS	VSS	GP11	VSS	PRTAD3	MDIO	MDC	PRBS_PASS	GPIO	VDDRA_HS	VSS
K	VSS	VSS	VDDRA_LS	VSS	VSS	VSS	VDDO1	RSV5	REFCLK1P	REFCLK1N	VSS	RSV6
L	VSS	VSS	VSS	VSS	VSS	VSS	VSS	GP12	PRTAD2	TESTEN	VSS	RSV7
M	VSS	VSS	VSS	VSS	VSS	VSS	VSS	PRTAD4	ST	REFCLK0P	REFCLK0N	VSS

### 4.2 Pin Functions

Pin Description - Signal Pins

PIN		I/O TYPE	DESCRIPTION
NAME	NO.		
HSTXAP HSTXAN	D12 E12	Output CML VDDA_HS	<b>High Speed Transmit Output.</b> HSTXAP and HSTXAN comprise the high speed side transmit direction differential serial output signal. During device reset (RESET_N asserted low) these pins are driven differential zero. These CML outputs must be AC coupled.
HSRXAP HSRXAN	B12 A12	Input CML VDDA_HS	<b>High Speed Receive Input.</b> HSRXAP and HSRXAN comprise the high speed side receive direction differential serial input signal. These CML input signals must be AC coupled.
INA[3:0]P/N	D1/E1 B2/C2 A1/B1 A4/A3	Input CML VDDA_LS	<b>Low Speed Inputs.</b> INAP and INAN comprise the low speed side transmit direction differential input signals. These signals must be AC coupled.
OUTA[3:0]P/N	F3/E3 C4/C5 B5/B6 A6/A7	Output CML VDDA_LS	<b>Low Speed Outputs.</b> OUTAP and OUTAN comprise the low speed side receive direction differential output signals. During device reset (RESET_N asserted low) these pins are driven differential zero. These signals must be AC coupled.
LOSA	E9	Output LVCMOS 1.5V/1.8V VDDO0 40Ω Driver	<b>Receive Loss Of Signal (LOS) Indicator.</b> LOS = 0: Signal detected. LOS = 1: Loss of signal. Loss of signal detection is based on the input signal level. When HSRXAP/N has a differential input signal swing of $\leq 75$ mV <sub>pp</sub> , LOSA is asserted (if enabled). If the input signal is greater than 150 mV <sub>pp</sub> , LOSA is deasserted. Outside of these ranges, the LOS indication is undefined.  Other functions can be observed on LOSA real-time, configured via MDIO  During device reset (RESET_N asserted low) this pin is driven low. During pin based power down (PDTRXA_N asserted low), this pin is floating. During register based power down, this pin is floating.  It is highly recommended that LOSA be brought to an easily accessible point on the application board (header) in the event that debug is required.
LS_OK_IN_A	B10	Input LVCMOS 1.5V/1.8V VDDO0	<b>Receive Lane Alignment Status Indicator.</b> Lane alignment status signal received from a Lane Alignment Slave on the link partner device. Valid in 10G General Purpose Serdes Mode. LS_OK_IN_A = 0: Link partner receive lanes not aligned. LS_OK_IN_A = 1: Link partner receive lanes aligned

### Pin Description - Signal Pins (continued)

PIN		I/O TYPE	DESCRIPTION
NAME	NO.		
LS_OK_OUT_A	D9	Output LVCMOS 1.5V/1.8V VDDO 40Ω Driver	<b>Transmit Lane Alignment Status Indicator.</b> Lane alignment status signal sent to a Lane Alignment Master on the link partner device. Valid in 10G General Purpose Serdes Mode. LS_OK_OUT_A = 0: Link partner transmit lanes not aligned. LS_OK_OUT_A = 1: Link partner transmit lanes aligned.
PDTRXA_N	A8	Input LVCMOS 1.5V/1.8V VDDO0	<b>Transceiver Power Down.</b> When this pin is held low (asserted), the channel is placed in power down mode. When deasserted, the channel operates normally. After deassertion, a software data path reset should be issued through the MDIO interface.
<b>RESERVED PINS</b>			
RSV[7:0]	L12, K12, K8, H12, H9, G12, A10, A9		<b>Reserved.</b> It should be left unconnected in the device application.
<b>REFERENCE CLOCKS, OUTPUT CLOCKS, AND CONTROL AND MONITORING SIGNALS</b>			
REFCLK0P/N	M10 M11	Input LVDS/ LVPECL DVDD	<b>Reference Clock Input Zero.</b> This differential input is a clock signal used as a reference to channel A. The reference clock selection is done through MDIO. This input signal <b>must</b> be AC coupled. If unused, REFCLK0P/N should be pulled down to GND through a shared 100 Ω resistor.
REFCLK1P/N	K9 K10	Input LVDS/ LVPECL DVDD	<b>Reference Clock Input One.</b> This differential input is a clock signal used as a reference to channel A. The reference clock selection is done through MDIO. This input signal <b>must</b> be AC coupled. If unused, REFCLK1P/N should be pulled down to GND through a shared 100 Ω resistor.
CLKOUTAP/N	C9 C10	Output CML DVDD	<b>Channel Output Clock.</b> By default, this outputs is enabled, and outputs the high speed side recovered byte clock (high speed line rate divided by 16 or 20). Optionally, they can be configured to output the VCO clock divided by 2. (Note: for full rates, VCO/2 pre-divided clocks will be equivalent to the line rate divided by 8; for sub-rates, VCO/2 pre-divided clocks will be equivalent to the line rate divided by 4).  These CML outputs must be AC coupled.  During device reset (RESET_N asserted low), pin-based power down (PDTRXA_N asserted low), or register-based power down, these pins are floating.
PRBSEN	B9	Input LVCMOS 1.5V/1.8V VDDO0	<b>Enable PRBS:</b> When this pin is asserted high, the internal PRBS generator and verifier circuits are enabled on both transmit and receive data paths on high speed and low speed sides.  The PRBS 2 <sup>7</sup> -1 pattern is selected by default, and can be changed through MDIO.
PRBS_PASS	J9	Output LVCMOS 1.5V/1.8V VDDO1 40Ω Driver	<b>Receive PRBS Error Free (Pass) Indicator.</b> When PRBS test is enabled (PRBSEN=1): PRBS_PASS = 1 indicates that PRBS pattern reception is error free. PRBS_PASS = 0 indicates that a PRBS error is detected. The high speed or low speed side, and lane (for low speed side) that this signal refers to is chosen through MDIO.  During device reset (RESET_N asserted low) this pin is driven high. During pin based power down (PDTRXA_N asserted low), this pin is floating. During register based power down, this pin is floating.  It is highly recommended that PRBS_PASS be brought to easily accessible point on the application board (header), in the event that debug is required.
ST	M9	Input LVCMOS 1.5V/1.8V VDDO[1:0]	<b>MDIO Select.</b> Used to select Clause 22 (=1) or Clause 45 (=0) operation. Note that selecting clause 22 will impact mode availability. See MODE_SEL.  A hard or soft reset must be applied after a change of state occurs on this input signal.
MODE_SEL	H10	Input LVCMOS 1.5V/1.8V VDDO[1:0]	<b>Device Operating Mode Select.</b> Used together with ST pin to select device operating mode. See <a href="#">Table 7-2</a> for details.
PRTAD[4:0]	M8 J6 L9 G9 E10	Input LVCMOS 1.5V/1.8V VDDO[1:0]	<b>MDIO Port Address.</b> Used to select the MDIO port address.  PRTAD[4:1] selects the MDIO port address. The TLK10031 has one MDIO port addresses. Selecting a unique PRTAD[4:1] per TLK10031 device allows 16 TLK10031 devices per MDIO bus.  The TLK10031 responds if the 4 MSB's of the port address field on MDIO protocol (PA[4:1]) matches PRTAD[4:1], and PA[0] = 0.  PRTAD0 is not needed for port addressing, but can be used as a general purpose input pin to control the switching function or the stopwatch latency measurement. If these functions are not needed, PRTAD0 should be grounded on the application board.
RESET_N	H5	Input LVCMOS 1.5V/1.8V VDDO01	<b>Low True Device Reset.</b> RESET_N must be held asserted (low logic level) for at least 10 μs after device power stabilization.
MDC	J8	Input LVCMOS with Hysteresis 1.5V/1.8V VDDO1	<b>MDIO Clock Input.</b> Clock input for the MDIO interface. Note that an external pullup is generally not required on MDC except if driven by an open-drain/open-collector clock source.

**Pin Description - Signal Pins (continued)**

PIN		I/O TYPE	DESCRIPTION
NAME	NO.		
MDIO	J7	Input/ Output LVC MOS 1.5V/1.8V VDDO1 25Ω Driver	<b>MDIO Data I/O.</b> MDIO interface data input/output signal for the MDIO interface. <b>This signal must be externally pulled up to VDDO using a 2-kΩ resistor.</b> During device reset (RESET_N asserted low) this pin is floating. During software initiated power down the management interface remains active for control register writes and reads. Certain status bits will not be deterministic as their generating clock source may be disabled as a result of asserting either power down input signal. During pin based power down (PDTRXA_N asserted low), this pin is floating. During register based power down, this pin is driven normally.
TDI	C8	Input LVC MOS 1.5V/1.8V VDDO0 (Internal Pullup)	<b>JTAG Input Data.</b> TDI is used to serially shift test data and test instructions into the device during the operation of the test port. In system applications where JTAG is not implemented, this input signal may be left floating. During pin based power down (PDTRXA_N asserted low), this pin is not pulled up. During register based power down, this pin is pulled up normally.
TDO	D6	Output LVC MOS 1.5V/1.8V VDDO0 50Ω Driver	<b>JTAG Output Data.</b> TDO is used to serially shift test data and test instructions out of the device during operation of the test port. When the JTAG port is not in use, TDO is in a high impedance state. During device reset (RESET_N asserted low) this pin is floating. During pin based power down (PDTRXA_N asserted low), this pin is not pulled up. During register based power down, this pin is pulled up normally.
TMS	B8	Input LVC MOS 1.5V/1.8V VDDO0 (Internal Pullup)	<b>JTAG Mode Select.</b> TMS is used to control the state of the internal test-port controller. In system applications where JTAG is not implemented, this input signal can be left unconnected. During pin based power down (PDTRXA_N asserted low), this pin is not pulled up. During register based power down, this pin is pulled up normally.
TCK	D8	Input LVC MOS with Hysteresis 1.5V/1.8V VDDO0	<b>JTAG Clock.</b> TCK is used to clock state information and test data into and out of the device during boundary scan operation. In system applications where JTAG is not implemented, this input signal should be grounded.
TRST_N	E5	Input LVC MOS 1.5V/1.8V VDDO0 (Internal Pulldown)	<b>JTAG Test Reset.</b> TRST_N is used to reset the JTAG logic into system operational mode. This input can be left unconnected in the application and is pulled down internally, disabling the JTAG circuitry. If JTAG is implemented on the application board, this signal should be deasserted (high) during JTAG system testing, and otherwise asserted (low) during normal operation mode. During pin based power down (PDTRXA_N asserted low), this pin is not pulled up. During register based power down, this pin is pulled up normally.
TESTEN	L10	Input LVC MOS 1.5V/1.8V VDDO1	<b>Test Enable.</b> This signal is used during the device manufacturing process. It should be grounded through a resistor in the device application board. The application board should allow the flexibility of easily reworking this signal to a high level if device debug is necessary (by including an uninstalled resistor to VDDO).
GPIO	L8, J4, J10	Input LVC MOS 1.5V/1.8V VDDO1	<b>General Purpose Input.</b> This signal is used during the device manufacturing process. It should be grounded through a resistor on the device application board.
AMUX0	C11	Analog I/O	<b>SERDES Analog Testability I/O.</b> This signal is used during the device manufacturing process. It should be left unconnected in the device application.
AMUX1	D4	Analog I/O	<b>SERDES Analog Testability I/O.</b> This signal is used during the device manufacturing process. It should be left unconnected in the device application.

### Pin Description - Power Pins

PIN		I/O TYPE	DESCRIPTION
NAME	NO.		
VDDA_LS/HS	D2, F2, G2, J2, G10, F11	Input Power	<b>SERDES Analog Power.</b> VDDA_LS and VDDA_HS provide supply voltage for the analog circuits on the low-speed and high-speed sides respectively. 1.0V nominal. Can be tied together on the application board.
VDDT_LS/HS	F4, G4, F9	Input Power	<b>SERDES Analog Power.</b> VDDT_LS and VDDT_HS provide termination and supply voltage for the analog circuits on the low-speed and high-speed sides respectively. 1.0V nominal. Can be tied together on the application board.
VDDD	E6, F6, H6, E8, H8	Input Power	<b>SERDES Digital Power.</b> VDDD provides supply voltage for the digital circuits internal to the SERDES. 1 V nominal.
DVDD	G6, E7, F7, H7, G8	Input Power	<b>Digital Core Power.</b> DVDD provides supply voltage to the digital core. 1 V nominal.
VDDRA_LS/HS	C3, K3, J11 E11	Input Power	<b>SERDES Analog Regulator Power.</b> VDDRA_LS and VDDRA_HS provide supply voltage for the internal PLL regulator for low speed and high speed sides respectively. 1.5 V or 1.8 V nominal.
VDDO[1:0]	K7 C7	Input Power	<b>LVC MOS I/O Power.</b> VDDO0 and VDDO1 provide supply voltage for the LVC MOS inputs and outputs. 1.5 V or 1.8 V nominal. Can be tied together on the application board.
VPP	D7	Input Power	<b>Factory Program Voltage.</b> Used during device manufacturing. The application must connect this power supply directly to DVDD.
VSS	A2, A5, A11, B3, B4, B7, B11, C1, C6, C12, D3, D5, D10, D11, E2, E4, F1, F5, F8, F10, F12, G1, G3, G5, G7, G11, H1, H2, H4, H3, H11, J1, J3, J5, J12, K1, K2, K4, K5, K6, K11, L1, L2, L3, L4, L5, L6, L7, L11, M1, M2, M3, M4, M5, M6, M7, M12	Ground	<b>Ground.</b> Common analog and digital ground.

## 5 Specifications

### 5.1 Absolute Maximum Ratings

over operating free-air temperature range (unless otherwise noted) <sup>(1)(2)</sup>

		VALUE		UNIT
		MIN	MAX	
Supply voltage	DVDD, VDD_LS/HS, VDDT_LS/HS, VPP, VDDD	-0.3	1.4	V
	VDDR_LS/HS, VDDO[1:0]	-0.3	2.2	V
Input Voltage, V <sub>I</sub>	LVC MOS, CML, Analog	-0.3	Supply + 0.3	V
Operating Junction Temperature			105	°C
Characterized free-air operating temperature range		-40	85	°C
Storage temperature, T <sub>stg</sub>		-65	150	°C

- (1) Stresses beyond those listed under “absolute maximum ratings” may cause permanent damage to the device. These are stress ratings only and functional operation of the device at these or any other conditions beyond those indicated under “recommended operating conditions” is not implied. Exposure to absolute-maximum-rated conditions for extended periods may affect device reliability.
- (2) All voltages are with respect to ground (VSS).

### 5.2 ESD Ratings

			VALUE	UNIT
V <sub>(ESD)</sub>	Electrostatic discharge	Human Body Model (HBM), per ANSI/ESDA/JEDEC JS001 <sup>(1)</sup>	±1000	V
		Charged Device Model (CDM), per JESD22-C101 <sup>(2)</sup>	±500	V

- (1) JEDEC document JEP155 states that 500-V HBM allows safe manufacturing with a standard ESD control process.
- (2) JEDEC document JEP157 states that 250-V CDM allows safe manufacturing with a standard ESD control process.

### 5.3 Recommended Operating Conditions

PARAMETER		TEST CONDITIONS	MIN	NOM	MAX	UNIT
Digital / analog supply voltages	VDDD, VDD_LS/HS, DVDD, VDDT_LS/HS, VPP		0.95	1.00	1.05	V
SERDES PLL regulator voltage	VDDR_LS/HS	1.5V Nominal	1.425	1.5	1.575	V
		1.8V Nominal	1.71	1.8	1.89	
LVC MOS I/O supply voltage	VDDO[1:0]	1.5V Nominal	1.425	1.5	1.575	V
		1.8V Nominal	1.71	1.8	1.89	
I <sub>DD</sub>	Supply current	VDDD			650	mA
		VDDA_LS/HS			650	
		DVDD + VPP			700	
		VDDT_LS/HS			600	
		VDDRA_LS			70	
		VDDRA_HS			70	
		VDDO[1:0]			10	
P <sub>D</sub>	Power dissipation	Nominal		1.6		W
		Worst case supply voltage, temperature, and process. 10GBASE-KR, channel active, default swing and Clkout settings			2.3	
I <sub>SD</sub>	Shutdown current	VDDD			300	mA
		VDDA			85	
		DVDD + VPP			250	
		VDDT			65	
		VDDRA_HS/LS			7	
		VDDO			5	
J <sub>R</sub>	REFCLK0P/N, REFCLK1P/N Random Jitter	12kHz to 20MHz			1	ps



## 5.4 Thermal Information

NAME	DESCRIPTION	VALUE	UNIT
R <sub>θJA</sub>	Junction-to-free air	25.5	°C/W
ω <sub>JT</sub>	Junction-to-package top	1.8	
ω <sub>JB</sub>	Junction-to-board	13.7	
<b>Custom Typical Application Board<sup>(1)</sup></b>			
R <sub>θJA</sub>	Junction-to-free air	24.5	°C/W
ω <sub>JT</sub>	Junction-to-package top	0.9	
ω <sub>JB</sub>	Junction-to-board	11	

(1) Custom Typical Application Board Characteristics:

- 10x15 inches
- 12 layer
  - 8 power/ground layers – 95% copper (1oz)
  - 4 signal layers – 20% copper (1oz)

$$\Psi_{JB} = (T_J - T_B) / (\text{Total Device Power Dissipation})$$

T<sub>J</sub> = Device Junction Temperature

T<sub>B</sub> = Temperature of PCB 1 mm from device edge.

$$\Psi_{JT} = (T_J - T_C) / (\text{Total Device Power Dissipation})$$

T<sub>J</sub> = Device Junction Temperature

T<sub>C</sub> = Hottest temperature on the case of the package.

## 5.5 Electrical Characteristics: High Speed Side Serial Transmitter

PARAMETER	TEST CONDITIONS	MIN	NOM	MAX	UNIT	
$V_{OD(p-p)}$	TX Output differential peak-to-peak voltage swing, transmitter enabled	SWING = 0000	50	130	220	mV <sub>pp</sub>
		SWING = 0001	110	220	320	
		SWING = 0010	180	300	430	
		SWING = 0011	250	390	540	
		SWING = 0100	320	480	650	
		SWING = 0101	390	570	770	
		SWING = 0110	460	660	880	
		SWING = 0111	530	750	1000	
		SWING = 1000	590	830	1100	
		SWING = 1001	660	930	1220	
		SWING = 1010	740	1020	1320	
		SWING = 1011	820	1110	1430	
		SWING = 1100	890	1180	1520	
		SWING = 1101	970	1270	1610	
		SWING = 1110	1060	1340	1680	
SWING = 1111	1090	1400	1740			
	Transmitter disabled			30		
$V_{pre/post}$	TX Output pre/post cursor emphasis voltage	See register bits TWPOST1, TWPOST2, and TWPRE for de-emphasis settings. See <a href="#">Figure 6-2</a>		-17.5/ -37.5%	+17.5/ +37.5%	
$V_{CMT}$	TX Output common mode voltage	100- $\Omega$ differential termination. DC-coupled.		$V_{DDT} - 0.25 * V_{OD(p-p)}$		mV
$t_{skew}$	Intra-pair output skew	Serial Rate = 9.8304 Gbps		0.045		UI
$T_r, T_f$	Differential output signal rise, fall time (20% to 80%), Differential Load = 100 $\Omega$	24				ps
$J_{T1}$	Serial output total jitter (CPRI LV/LV-II/LV-III, OBSAI and 10GBASE-KR Rates)	Serial Rate $\leq$ 3.072Gbps		0.35		UI <sub>pp</sub>
		Serial Rate > 3.072Gbps		0.28		
$J_{D1}$	Serial output deterministic jitter (CPRI LV/LV-II/LV-III, OBSAI and 10GBASE-KR Rates)	Serial Rate $\leq$ 3.072Gbps		0.17		UI <sub>pp</sub>
		Serial Rate > 3.072Gbps		0.15		
$J_{R1}$	Serial output random jitter (CPRI LV/LV-II/LV-III, OBSAI and 10GBASE-KR Rates)	Serial Rate > 3.072Gbps		0.15		UI <sub>pp</sub>
$J_{T2}$	Serial output total jitter (CPRI E.12.HV)	Serial Rate = 1.2288Gbps		0.279		UI <sub>pp</sub>
$J_{D2}$	Serial output deterministic jitter (CPRI E.12.HV)			0.14		
SDD22	Differential output return loss	50 MHz < f < 2.5 GHz		9		dB
		2.5 GHz < f < 7.5 GHz		See <sup>(1)</sup>		
SCC22	Common-mode output return loss	50 MHz < f < 2.5 GHz		6		dB
		2.5 GHz < f < 7.5 GHz		See <sup>(2)</sup>		
$T_{(LATENCY)}$	Transmit path latency	10GBASE-KR mode		see <a href="#">Figure 7-6</a>		
		1GBASE-KX mode		see <a href="#">Figure 7-9</a>		
		General Purpose mode		see <a href="#">Figure 7-13</a>		

(1) Differential input return loss, SDD22 =  $9 - 12 \log_{10}(f / 2500\text{MHz})$  dB

(2) Common-mode output return loss, SDD22 =  $6 - 12 \log_{10}(f / 2500\text{MHz})$  dB

## 5.6 Electrical Characteristics: High Speed Side Serial Receiver

PARAMETER		TEST CONDITIONS	MIN	NOM	MAX	UNIT
V <sub>ID</sub>	RX Input differential voltage,  RXP – RXN	Full Rate, AC Coupled	50		600	mV
		Half/Quarter/Eighth Rate, AC Coupled	50		800	
V <sub>ID(pp)</sub>	RX Input differential peak-to-peak voltage swing, 2× RXP – RXN	Full Rate, AC Coupled	100		1200	mV <sub>pp</sub>
		Half/Quarter/Eighth Rate, AC Coupled	100		1600	
C <sub>I</sub>	RX Input capacitance				2	pF
J <sub>TOL</sub>	10GBASE-KR Jitter tolerance, test channel with mTC =1 (see <a href="#">Figure 5-1</a> for attenuation curve), PRBS31 test pattern at 10.3125 Gbps	Applied sinusoidal jitter			0.115	UI <sub>pp</sub>
		Applied random jitter			0.130	
		Applied duty cycle distortion			0.035	
		Broadband noise amplitude (RMS)			5.2	
SDD11	Differential input return loss	50 MHz < f < 2.5 GHz		9		dB
		2.5 GHz < f < 7.5 GHz	See <sup>(1)</sup>			
t <sub>skew</sub>	Intra-pair input skew				0.23	UI
t <sub>(LATENCY)</sub>	Receive path latency	10GBASE-KR mode		see <a href="#">Figure 7-6</a>		
		1GBASE-KX mode		see <a href="#">Figure 7-9</a>		
		General Purpose mode		see <a href="#">Figure 7-13</a>		

(1) Differential input return loss, SDD11 = 9 – 12 log<sub>10</sub>(f / 2.5GHz) dB

## 5.7 Electrical Characteristics: Low Speed Side Serial Transmitter

PARAMETER		TEST CONDITIONS	MIN	NOM	MAX	UNIT
$V_{OD(pp)}$	Transmitter output differential peak-to-peak voltage swing	SWING = 000	110	190	280	mVpp
		SWING = 001	280	380	490	
		SWING = 010	420	560	700	
		SWING = 011	560	710	870	
		SWING = 100	690	850	1020	
		SWING = 101	760	950	1150	
		SWING = 110	800	1010	1230	
		SWING = 111	830	1050	1270	
DE	Transmitter output de-emphasis voltage swing reduction	DE = 0000		0		dB
		DE = 0001		0.42		
		DE = 0010		0.87		
		DE = 0011		1.34		
		DE = 0100		1.83		
		DE = 0101		2.36		
		DE = 0110		2.92		
		DE = 0111		3.52		
		DE = 1000		4.16		
		DE = 1001		4.86		
		DE = 1010		5.61		
		DE = 1011		6.44		
		DE = 1100		7.35		
		DE = 1101		8.38		
DE = 1110		9.54				
DE = 1111		10.87				
$V_{CMT}$	Transmitter output common mode voltage	100- $\Omega$ differential termination. DC-coupled.		$V_{DDT} - 0.5 * V_{OD(pp)}$		mV
$t_{skew}$	Intra-pair output skew				0.045	UI
$t_R, t_F$	Differential output signal rise, fall time (20% to 80%) Differential Load = 100 $\Omega$		30			ps
$J_T$	Serial output total jitter				0.35	UI
$J_D$	Serial output deterministic jitter				0.17	UI
$t_{skew}$	Lane-to-lane output skew				50	ps

## 5.8 Electrical Characteristics: Low Speed Side Serial Receiver

PARAMETER		TEST CONDITIONS	MIN	NOM	MAX	UNIT
V <sub>ID</sub>	Receiver input differential voltage,  INP – INN	Full Rate, AC Coupled	50		600	mV
		Half/Quarter Rate, AC Coupled	50		800	
V <sub>ID(pp)</sub>	Receiver input differential peak-to-peak voltage swing 2× INP – INN	Full Rate, AC Coupled	100		1200	mV <sub>dftpp</sub>
		Half/Quarter Rate, AC Coupled	100		1600	
C <sub>I</sub>	Receiver input capacitance				2	pF
J <sub>TOL</sub>	Jitter tolerance, total jitter at serial input (DJ + RJ) (BER 10 <sup>-15</sup> )	Zero crossing, Half/Quarter Rate			0.66	UI <sub>p-p</sub>
		Zero crossing, Full Rate			0.65	
J <sub>DR</sub>	Serial input deterministic jitter (BER 10 <sup>-15</sup> )	Zero crossing, Half/Quarter Rate			0.50	UI <sub>p-p</sub>
		Zero crossing, Full Rate			0.35	
t <sub>skew</sub>	Intra-pair input skew				0.23	UI
t <sub>lane-skew</sub>	Lane-to-lane input skew				30	UI

## 5.9 Electrical Characteristics: LVC MOS (VDDO):

PARAMETER		TEST CONDITIONS	MIN	NOM	MAX	UNIT
V <sub>OH</sub>	High-level output voltage	I <sub>OH</sub> = 2 mA, Driver Enabled (1.8V)	VDDO – 0.45		VDDO	V
		I <sub>OH</sub> = 2 mA, Driver Enabled (1.5V)	0.75 × VDDO		VDDO	
V <sub>OL</sub>	Low-level output voltage	I <sub>OL</sub> = –2 mA, Driver Enabled (1.8V)	0		0.45	V
		I <sub>OL</sub> = –2 mA, Driver Enabled (1.5V)	0		0.25 × VDDO	
V <sub>IH</sub>	High-level input voltage		0.65 × VDDO		VDDO + 0.3	V
V <sub>IL</sub>	Low-level input voltage		–0.3		0.35 × VDDO	V
I <sub>IH</sub> , I <sub>IL</sub>	Receiver only	Low/High Input Current			±170	μA
I <sub>OZ</sub>	Driver only	Driver Disabled			±25	μA
	Driver/Receiver With Pullup/Pulldown	Driver disabled With Pull Up/Down Enabled			±195	
C <sub>IN</sub>	Input capacitance				3	pF

## 5.10 Electrical Characteristics: Clocks

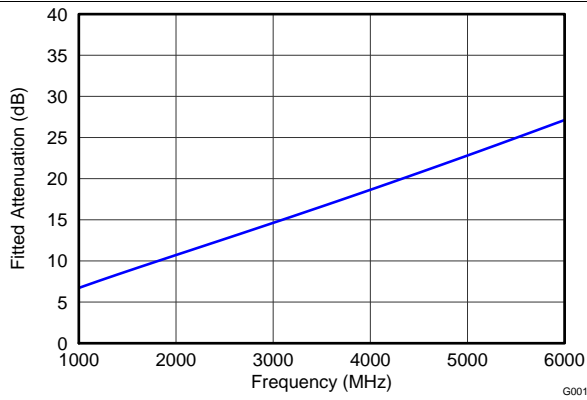
PARAMETER		TEST CONDITIONS	MIN	NOM	MAX	UNIT
<b>Reference Clock (REFCLK0P/N, REFCLK1P/N)</b>						
F	Frequency		122.88		425	MHz
FHS <sub>offset</sub>	Accuracy	Relative to Nominal HS Serial Data Rate	–100		100	ppm
		Relative to Incoming HS Serial Data Rate	–200		200	
DC	Duty cycle	High Time	45%	50%	55%	
V <sub>ID</sub>	Differential input voltage		250		2000	mV <sub>pp</sub>
C <sub>IN</sub>	Input capacitance				1	pF
R <sub>IN</sub>	Differential input impedance			100		Ω
t <sub>RISE</sub>	Rise/fall time	10% to 90%	50		350	ps
<b>Differential Output Clock (CLKOUTA/N)</b>						
F	Output frequency		0		500	MHz
V <sub>OD</sub>	Differential output voltage	Peak to peak	1000		2000	mV <sub>dftpp</sub>
t <sub>RISE</sub>	Output rise time	10% to 90%, 2pF lumped capacitive load, AC-Coupled			350	ps
R <sub>TERM</sub>	Output termination	CLKOUTAP/N × P/N to DVDD		50		Ω

### 5.11 Timing Requirements

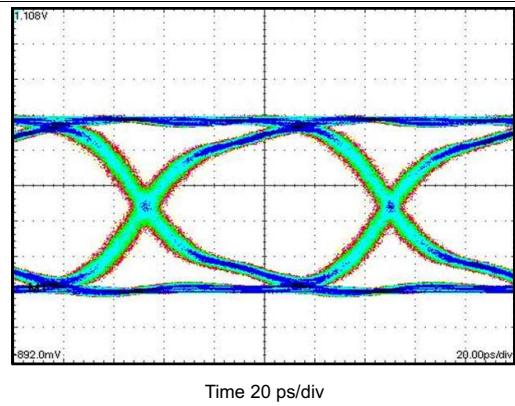
over recommended operating conditions (unless otherwise noted)

		TEST CONDITIONS	MIN	NOM	MAX	UNIT
<b>MDIO</b>						
$t_{period}$	MDC period	See <a href="#">Figure 6-3</a>	100			ns
$t_{setup}$	MDIO setup to $\uparrow$ MDC		10			ns
$t_{hold}$	MDIO hold to $\uparrow$ MDC		10			ns
$t_{valid}$	MDIO valid from MDC $\uparrow$		0		40	ns
<b>JTAG</b>						
$t_{period}$	TCK period	See <a href="#">Figure 6-4</a>	66.67			ns
$t_{setup}$	TDI/TMS/TRST_N setup to $\uparrow$ TCK		3			ns
$t_{hold}$	TDI/TMS/TRST_N hold from $\uparrow$ TCK		5			ns
$t_{valid}$	TDO delay from TCK Falling		0		10	ns

## 5.12 Typical Characteristics



**Figure 5-1. 10GBASE-KR Fitted Channel Attenuation Limit**



**Figure 5-2. Eye Diagram of the TLK10031 at 10.3125 Gbps Under Nominal Conditions**

## 6 Parametric Measurement Information

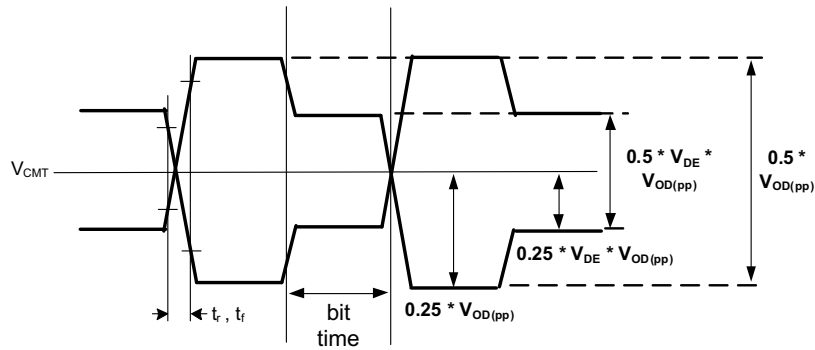
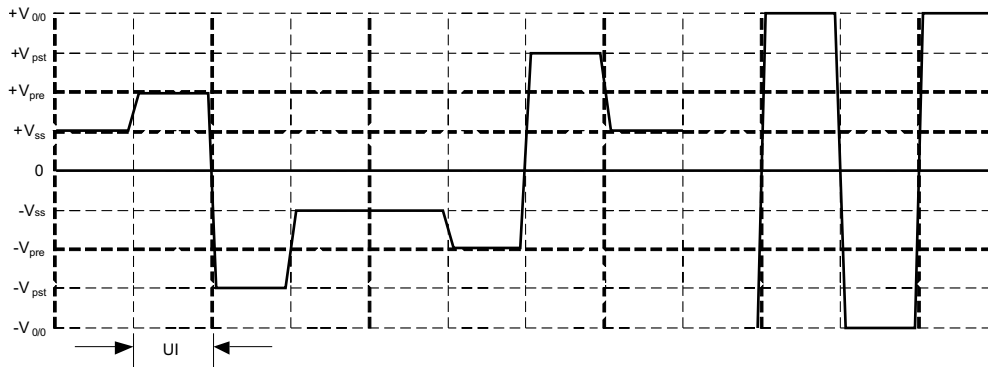


Figure 6-1. Transmit Output Waveform Parameter Definitions



- $h_{-1}$  = TWPRE (0%  $\geq$  -17.5% for typical application) setting
- $h_1$  = TWPOST1 (0%  $\geq$  -37.5% for typical application) setting
- $h_0 = 1 - |h_{-1}| - |h_1|$
- $V_{0,0}$  = Output Amplitude with TWPRE = 0%, TWPOST = 0%.
- $V_{ss}$  = Steady State Output Voltage =  $V_{0,0} * |h_1 + h_0 + h_{-1}|$
- $V_{pre}$  = PreCursor Output Voltage =  $V_{0,0} * |-h_1 - h_0 + h_{-1}|$
- $V_{pst}$  = PostCursor Output Voltage =  $V_{0,0} * |-h_1 + h_0 + h_{-1}|$

Figure 6-2. Pre/Post Cursor Swing Definitions

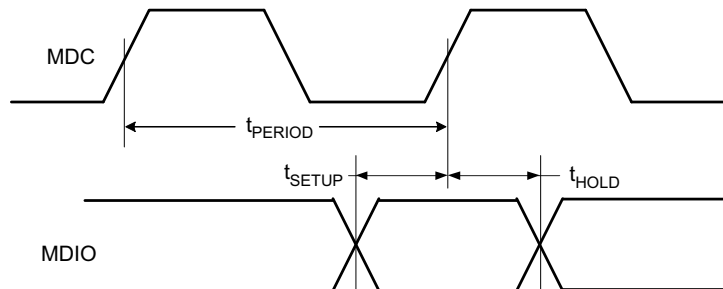


Figure 6-3. MDIO Read/Write Timing



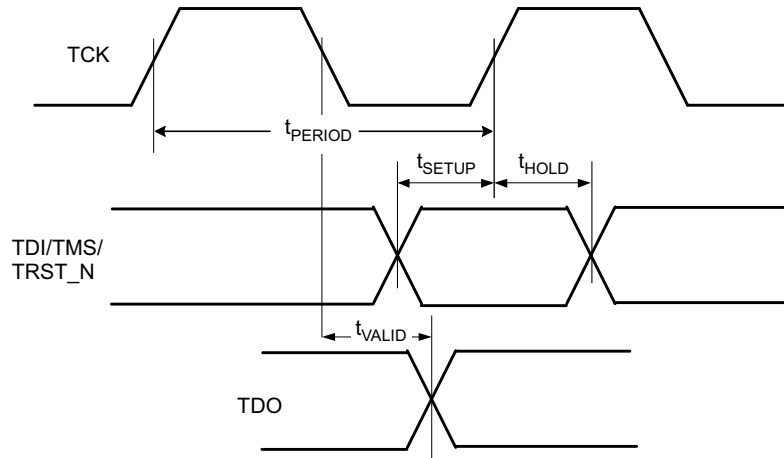


Figure 6-4. JTAG Timing

## 7 Detailed Description

### 7.1 Overview

Various interfaces of the TLK10031 device are shown in [Figure 7-1](#). A simplified block diagram of both the transmit and receive data path is shown in [Figure 7-2](#). This low-power transceiver consists of two serializer/deserializer (SERDES) blocks, one on the low speed side and the other on the high speed side. The core logic block that lies between the two SERDES blocks carries out all the logic functions including channel synchronization, lane alignment, 8B/10B and 64B/66B encoding/decoding, as well as test pattern generation and verification.

The TLK10031 provides a management data input/output (MDIO Clause 22/45) interface as well as a JTAG interface for device configuration, control, and monitoring. Detailed description of the TLK10031 pin functions is provided in [Section 4](#).

### 7.2 Functional Block Diagrams

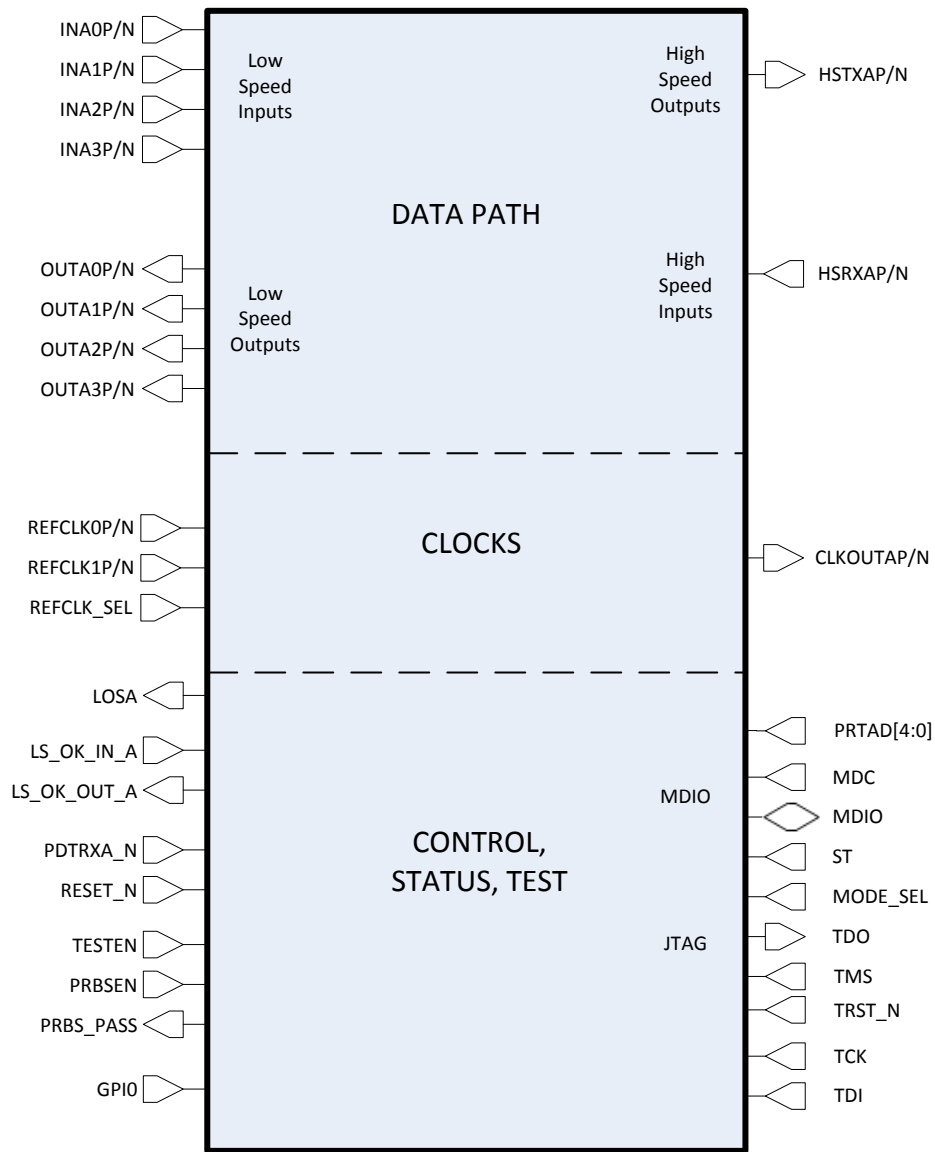


Figure 7-1. TLK10031 Interfaces

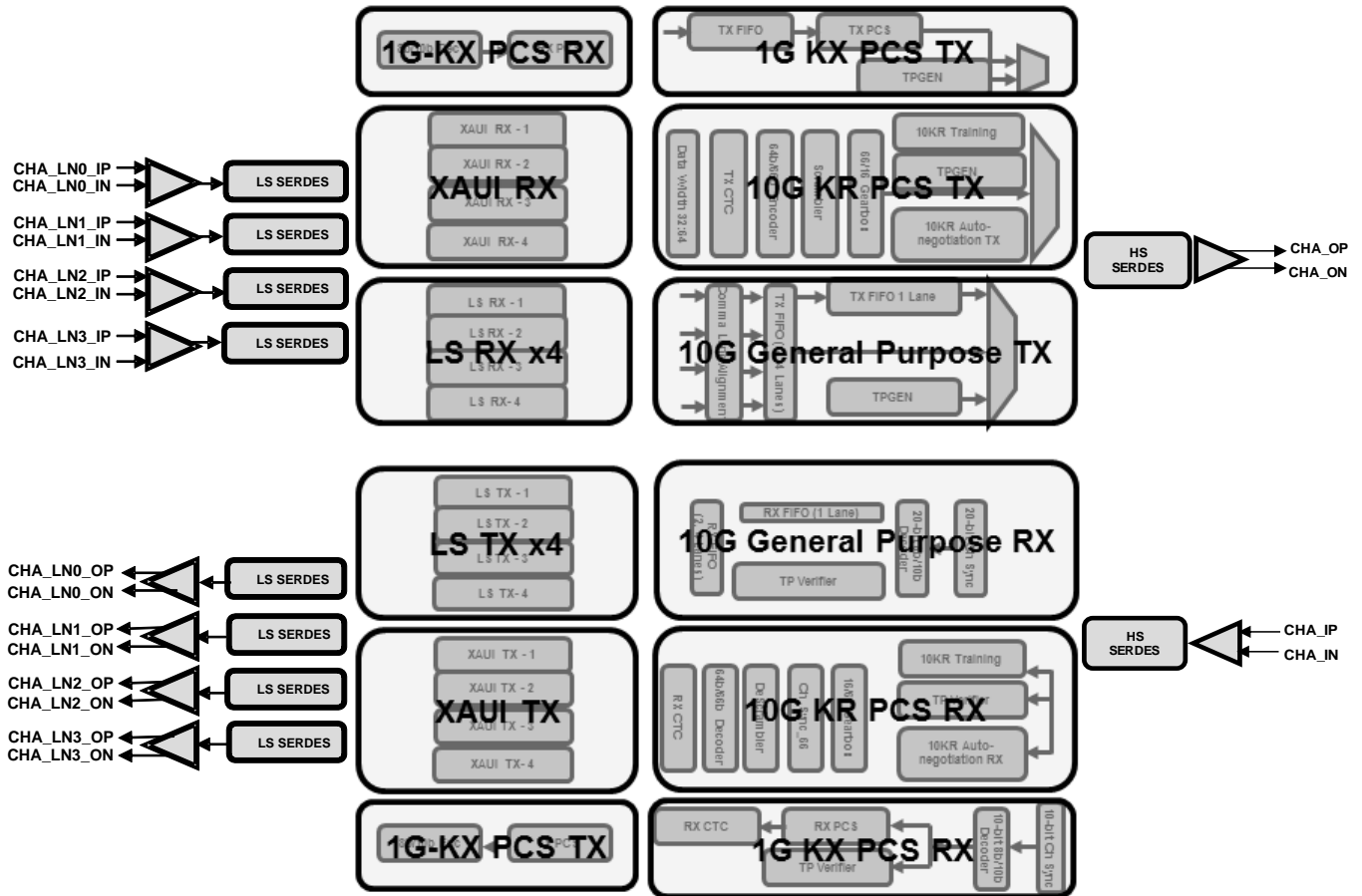


Figure 7-2. A Simplified Block Diagram of the TLK10031 Data Paths

## 7.3 Feature Description

### 7.3.1 10GBASE-KR Transmit Data Path Overview

In 10GBASE-KR Mode, the TLK10031 takes in XAUI data on the four low speed input lanes. The serial data in each lane is deserialized into 10-bit parallel data, then byte aligned (channel synchronized) based on comma detection. The four XAUI lanes are then aligned with one another, and the aligned data is input to four 8B/10B decoders. The decoded data is then input to the transmit clock tolerance compensation (CTC) block which compensates for any frequency offsets between the incoming XAUI data and the local reference clock. The CTC block then delivers the data to a 64B/66B encoder and a scrambler. The resulting scrambled 10GBASE-KR data is then input to a transmit gearbox which in turn delivers it to the high speed side SERDES for serialization and output through the HSTXAP/N\*P/N pins.

### 7.3.2 10GBASE-KR Receive Data Path Overview

In the receive direction, the TLK10031 takes in 64B/66B-encoded serial 10GBASE-KR data on the HSTXAP/N\*P/N pins. This data is deserialized by a high speed SERDES, then input to a receive gearbox. After the gearbox, the data is aligned to 66-bit frames, descrambled, 64B/66B decoded, and then input to the receive CTC block. After CTC, the data is encoded by four 8B/10B encoders, and the resulting four 10-bit parallel words are serialized by the low speed SERDES blocks. The four serial XAUI output lanes are transmitted out the OUTAP/N\*P/N pins.

### 7.3.3 Channel Synchronization Block

When parallel data is clocked into a parallel-to-serial converter, the byte boundary that was associated with the parallel data is lost in the serialization of the data. When the serial data is received and converted to parallel format again, a method is needed to be able to recognize the byte boundary again. Generally, this is accomplished through the use of a synchronization pattern. This is a unique pattern of 1's and 0's that either cannot occur as part of valid data or is a pattern that repeats at defined intervals. 8B/10B encoding contains a character called the comma (b'0011111' or b'1100000') which is used by the comma detect circuit to align the received serial data back to its original byte boundary. The TLK10031 channel synchronization block detects the comma pattern found in the K28.5 character, generating a synchronization signal aligning the data to their 10-bit boundaries for decoding. It is important to note that the comma can be either a (b'0011111') or the inverse (b'1100000') depending on the running disparity. The TLK10031 decoder will detect both patterns.

The TLK10031 performs channel synchronization per lane as shown in the flowchart of [Figure 7-3](#).

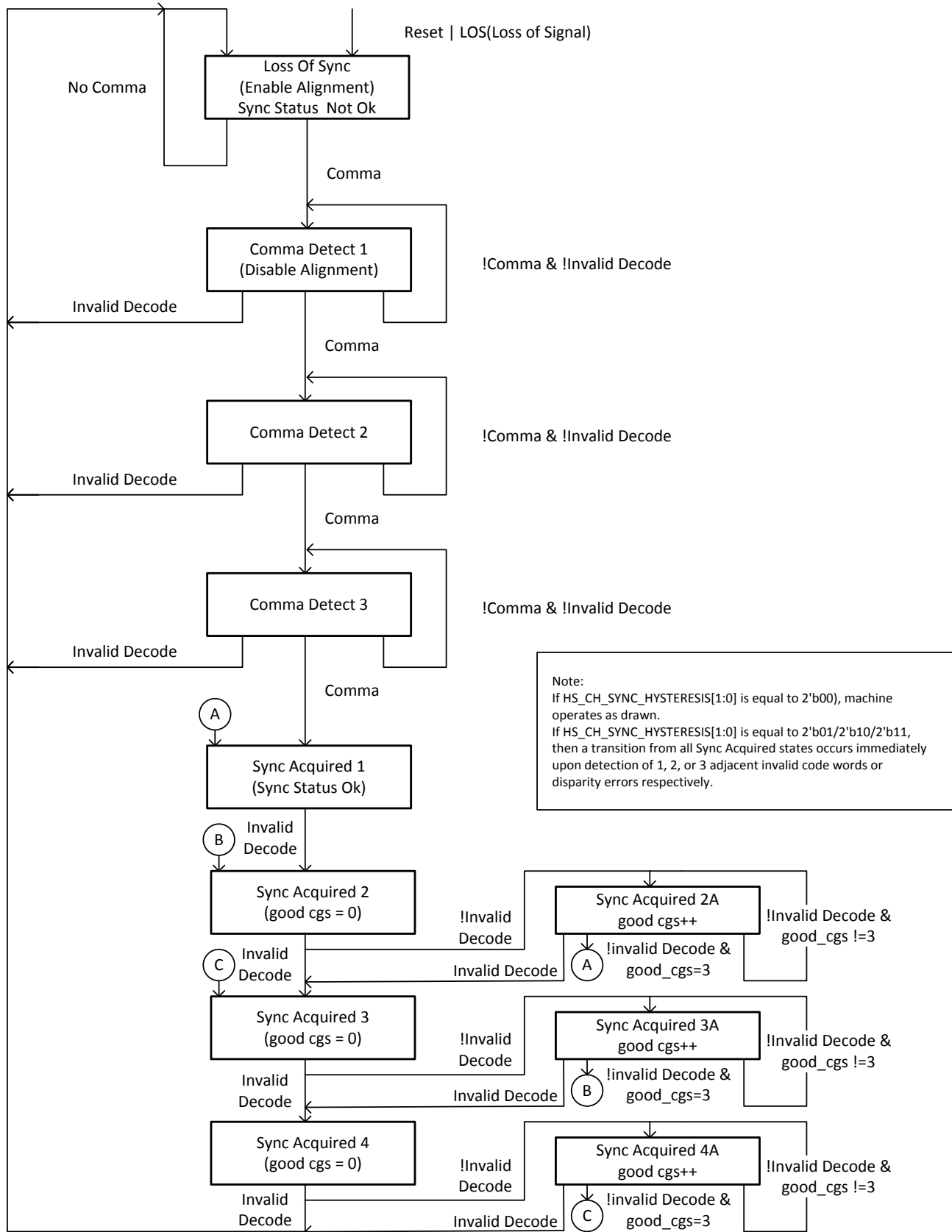


Figure 7-3. Channel Synchronization Flowchart

### 7.3.4 8B/10B Encoder

Embedded-clock serial interfaces require a method of encoding to ensure sufficient transition density for the receiving CDR to acquire and maintain lock. The encoding scheme also maintains the signal DC balance by keeping the number of ones and zeros balanced which allows for AC coupled data transmission. The TLK10031 uses the 8B/10B encoding algorithm that is used by the 10 Gbps and 1 Gbps Ethernet and Fibre Channel standards. This provides good transition density for clock recovery and improves error checking.

The 8B/10B encoder converts each 8-bit wide data to a 10-bit wide encoded data character to improve its transition density. This transmission code includes /D/ characters, used for transmitting data, and /K/ characters, used for transmitting protocol information. Each /K/ or /D/ character code word can also have both a positive and a negative disparity version. The disparity of a code word is selected by the encoder to balance the running disparity of the serialized data stream.

### 7.3.5 8B/10B Decoder

Once the Channel Synchronization block has identified the byte boundaries from the received serial data stream, the 8B/10B decoder converts 10-bit 8B/10B-encoded characters into their respective 8-bit formats. When a code word error or running disparity error is detected in the decoded data, the error is reported in the status register (1E.000F) and the LOS pin is asserted (depending on the LOS overlay selection).

### 7.3.6 64B/66B Encoder/Scrambler

To facilitate the transmission of data received from the media access control (MAC) layer, the TLK10031 encodes data received from the MAC using the 64B/66B encoding algorithm defined in the IEEE802.3-2008 standard. The TLK10031 takes two consecutive transfers from the XAUI interface and encodes them into a 66-bit code word. The information from the two XAUI transfers includes 64 bits of data and 8 bits of control information after 8B/10B decoding.

If the 64B/66B encoder detects an invalid packet format from the XAUI interface, it replaces erroneous information with appropriately-encoded error information. The resulting 66-bit code word is then sent on to the transmit gearbox.

The encoding process implemented in the TLK10031 includes two steps:

1. an encoding step, which converts the 72 bits of data (8 data bytes plus 8 control-code indicators) received from the transmit CTC FIFO into a 66-bit code word
2. a scrambling step, which scrambles 64 bits of encoded data using the scrambler polynomial  $x^{58}+x^{39}+1$ . The 66 bits created by the encoder consists of 64 bits of data and a 2-bit synchronization field consisting of either 01 or 10. Only the 64 bits of data are scrambled, leaving the two synchronization bits unmodified. The two synchronization bits allow the receive gearbox to obtain frame alignment and, in addition, ensure an edge transition of at least once in 66 bits of data. The encoding process allows a limited amount of control information to be sent in-line with the data.

### 7.3.7 Forward Error Correction

Optionally enabled, Forward Error Correction (FEC) follows the IEEE 802.3-2008 standard, and is able to correct a burst errors up to 11 bits. In the TX data path, the FEC logic resides between the scrambler and gearbox. In the RX datapath, FEC resides between the gearbox and descrambler. Frame alignment is handled inside the RX FEC block during FEC operation, and the RX gearbox sync header alignment is bypassed. Because latency is increased in both the TX and RX data paths with FEC enabled, it is disabled by default and must be enabled through MDIO programming. Note that FEC by nature will add latency due to frame storage.

### 7.3.8 64B/66B Decoder/Descrambler

The data received from the serial 10GBASE-KR is 64B/66B-encoded data. The TLK10031 decodes the data received using the 64B/66B decoding algorithm defined in the IEEE 802.3-2008 standard. The TLK10031 creates consecutive 72-bit data words from the encoded 66-bit code words for transfer over the XAUI interface to the MAC. The information for the two XAUI transfers includes 64 bits of data and 8 bits of control information before 8B/10B encoding.

Not all 64B/66B block payloads are valid. Invalid block payloads are handled by the 64B/66B decoder block and appropriate error handling is provided, as defined in the IEEE 802.3-2008 standard. The decoding algorithm includes two steps: a descrambling step which descrambles 64 bits of the 66-bit code word with the scrambling polynomial  $x^{58}+x^{39}+1$ , and a decoding step which converts the 66 bits of data received into 64 bits of data and 8 bits of control information. These words are sent to the receive CTC FIFO.

### 7.3.9 Transmit Gearbox

The function of the transmit gearbox is to convert the 66-bit encoded, scrambled data stream into a 16-bit-wide data stream to be sent out to the serializer and ultimately to the physical medium attachment (PMA) device. The gearbox is needed because while the effective bit rate of the 66-bit data stream is equal to the effective bit rate of the 16-bit data, the clock rates of the two buses are of different frequencies.

### 7.3.10 Receive Gearbox

While the transmit gearbox only performs the task of converting 66-bit data to be transported on to the 16-bit serializer, the receive gearbox has more to do than just the reverse of this function. The receive gearbox must also determine where within the incoming data stream the boundaries of the 66-bit code words are.

The receive gearbox has the responsibility of initially synchronizing the header field of the code words and continuously monitoring the ongoing synchronization. After obtaining synchronization to the incoming data stream, the gearbox assembles 66-bit code words and presents these to the 64B/66B decoder.

Note that in FEC mode, the Receive Gearbox blindly converts 16-bit data to 66-bit data and depends on the RX FEC logic to frame align the data.

### 7.3.11 XAUI Lane Alignment / Code Gen (XAUI PCS)

The XAUI interface standard is defined to allow for 21 UI of skew between lanes. This block is implemented to handle up to 30 UI (XAUI UI) of skew between lanes using /A/ characters. The state machine follows the standard 802.3-2008 defined state machine.

### 7.3.12 Inter-Packet Gap (IPG) Characters

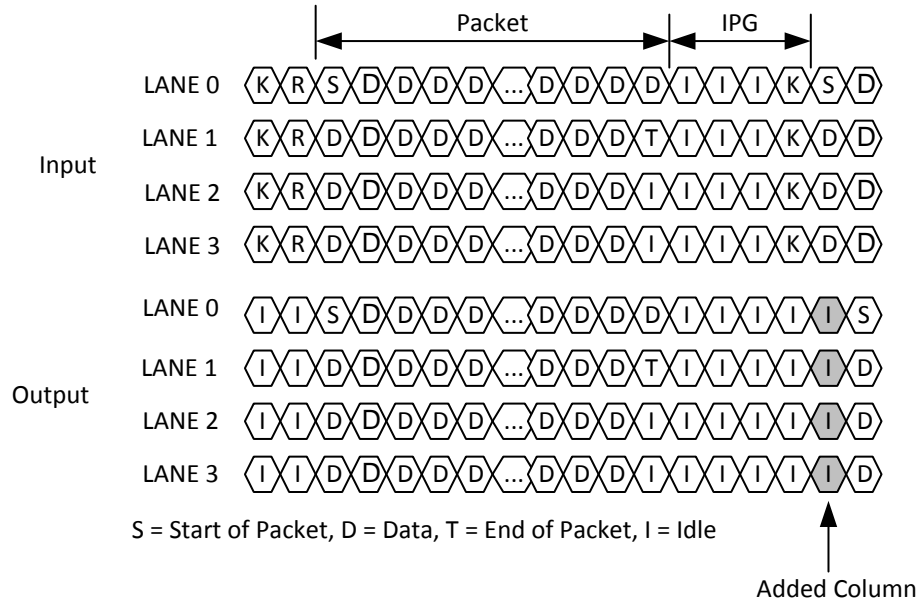
The XAUI interface transports information that consists of packets and inter-packet gap (IPG) characters. The IEEE 802.3-2008 standard defines that the IPG, when transferred over the XAUI interface, consists of alignment characters (/A/), control characters (/K/) and replacement characters (/R/).

TLK10031 converts all AKR characters to IDLE characters, performs insertions or deletions on the IDLE characters, and transmits only encoded IDLE characters out to the 10GBASE-KR interface. The receive channel expects encoded IDLE characters to enter the 10GBASE-KR interface, and performs insertions and deletions on IDLE characters and then converts IDLE characters back to AKR characters. Any AKR characters received on the high speed interface are by default converted to IDLE characters for reconversion to AKR columns.

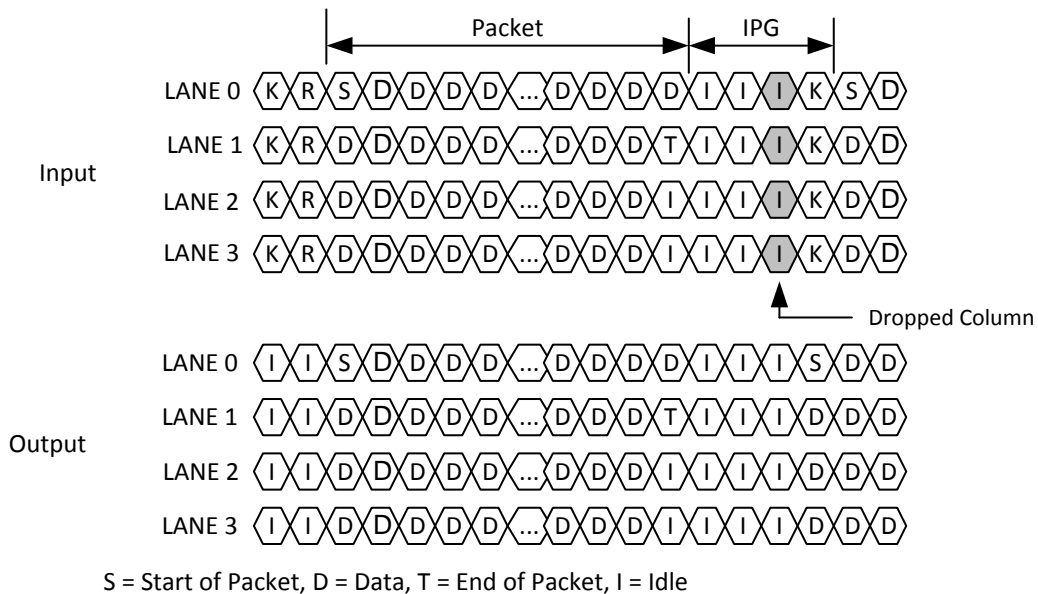
Both the transmit and receive FIFOs rely upon a valid IDLE stream to perform clock tolerance compensation (CTC).

### 7.3.13 Clock Tolerance Compensation (CTC)

The XAUI interface is defined to allow for separate clock domains on each side of the link. Though the reference clocks for two devices on a XAUI link have the same specified frequencies, there can be slight differences that, if not compensated for, will lead to over or under run of the FIFO's on the receive/transmit data path. The TLK10031 provides compensation for these differences in clock frequencies via the insertion or the removal of idle (/I/) characters on all lanes, as shown in Figure 7-4 and Figure 7-5.



**Figure 7-4. Clock Tolerance Compensation: Add**



**Figure 7-5. Clock Tolerance Compensation: Drop**

The TLK10031 allows for provisioning of both the CTC FIFO depth and the low/high watermark thresholds that trigger idle insertion/deletion beyond the standard requirements. This allows for optimization between maximum clock tolerance and packet length. For more information on the TLK10031 CTC provisioning, see Section 7.4.20.



### 7.3.14 10GBASE-KR Auto-Negotiation

When TLK10031 is selected to operate in 10GKR/1G-KX mode (MODE\_SEL pin held low), Clause 73 Auto-Negotiation will commence after power up or hardware or software reset. The data path chosen from the result of Auto-Negotiation will be the highest speed of 10G-KR or 1G-KX as advertised in the MDIO ability fields (set to 10G-KR by default). If 10G-KR is chosen, link training will commence immediately following the completion of Auto-Negotiation. Legacy devices that operate in 1G-KX mode and do not support Clause 73 Auto Negotiation will be recognized through the Clause 73 parallel detection mechanism.

### 7.3.15 10GBASE-KR Link Training

Link training for 10G-KR mode is performed after auto-negotiation, and follows the procedure described in IEEE 802.3-2008. The high speed TX SERDES side will update pre-emphasis tap coefficients as requested through the Coefficient update field. Received training patterns are monitored for bit errors (MDIO configurable), and requests are made to update partner channel TX coefficients until optimal settings are achieved.

The RX link training algorithm consists of sending a series of requests to move the link partner's transmitter tap coefficients to the center point of an error free region. Once link training has completed, the 10G-KR data path is enabled. If link is lost, the entire process repeats with auto-negotiation, link training, and 10G-KR mode.

TLK10031 also offers a manual mode whereby coefficient update requests are handled through external software management.

### 7.3.16 10GBASE-KR Line Rate, PLL Settings, and Reference Clock Selection

The TLK10031 includes internal low-jitter high quality oscillators that are used as frequency multipliers for the low speed and high speed SERDES and other internal circuits of the device. Specific MDIO registers are available for SERDES rate and PLL multiplier selection to match line rates and reference clock (REFCLK0/1) frequencies for various applications.

The external differential reference clock has a large operating frequency range allowing support for many different applications. A low-jitter reference clock should be used, and its frequency accuracy should be within  $\pm 200$  PPM of the incoming serial data rate ( $\pm 100$  PPM of nominal data rate).

When the TLK10031 device is set to operate in the 10GBASE-KR mode with a low speed side line rate of 3.125 Gbps and a high speed side line rate of 10.3125 Gbps, the reference clock choices are as shown in [Table 7-1](#). In general, using a higher reference clock frequency results in improved jitter performance.

**Table 7-1. Specific Line Rate and Reference Clock Selection for the 10GBASE-KR Mode:**

LOW SPEED SIDE				HIGH SPEED SIDE			
Line Rate (Mbps)	SERDES PLL Multiplier	Rate	REFCLKP/N (MHz)	Line Rate (Mbps)	SERDES PLL Multiplier	Rate	REFCLKP/N (MHz)
3125	10	Full	156.25	10312.5	16.5	Full	156.25
3125	5	Full	312.5	10312.5	8.25	Full	312.5

### 7.3.17 10GBASE-KR Test Pattern Support

The TLK10031 has the capability to generate and verify various test patterns for self-test and system diagnostic measurements. The following test patterns are supported:

- High Speed (HS) Side: PRBS  $2^7 - 1$ , PRBS  $2^{23} - 1$ , PRBS  $2^{31} - 1$ , Square Wave with Provisionable Length, and KR Pseudo-Random Pattern
- Low Speed (LS) Side: PRBS  $2^7 - 1$ , PRBS  $2^{23} - 1$ , PRBS  $2^{31} - 1$ , High Frequency, Low Frequency, Mixed Frequency, CRPAT, CJPAT.

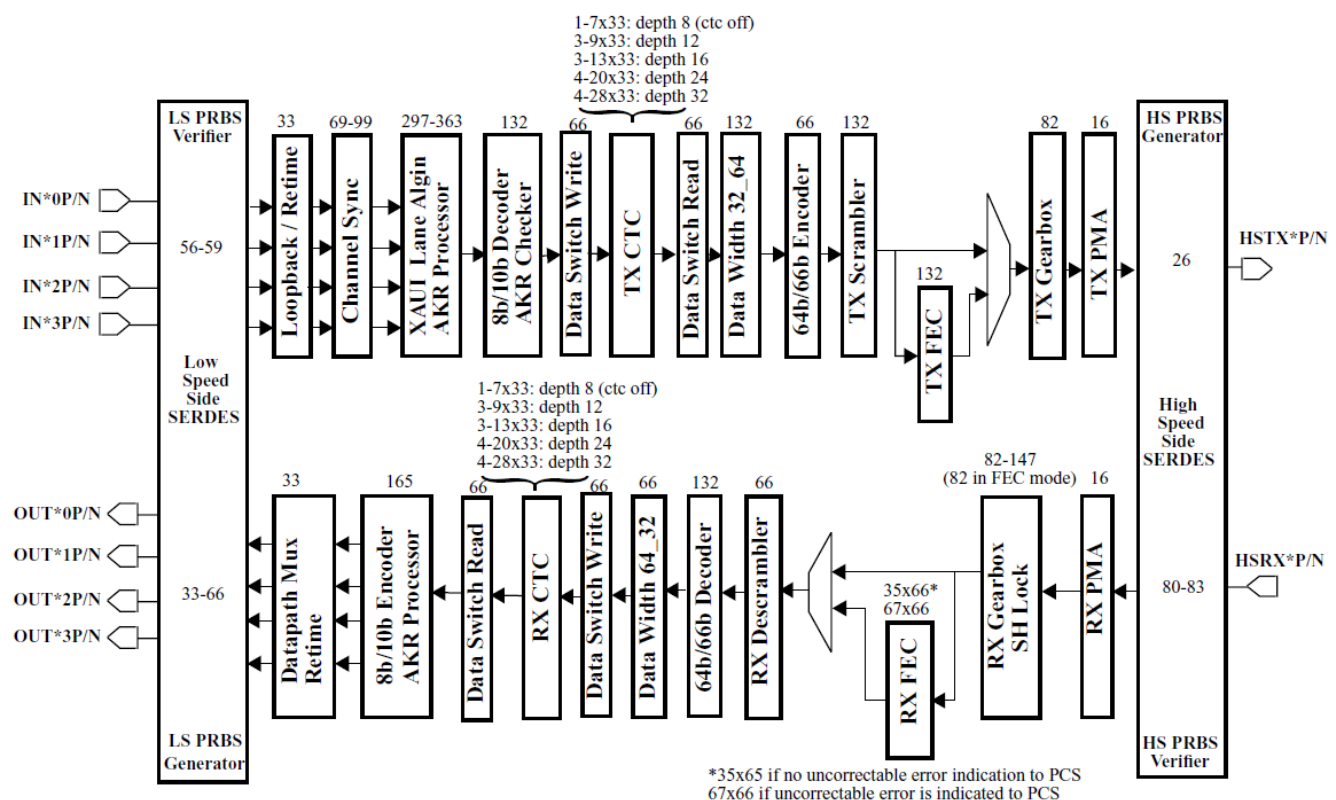
The TLK10031 provides two pins: PRBSEN and PRBS\_PASS, for additional control and monitoring of PRBS pattern generation and verification. When PRBSEN is asserted high, the internal PRBS generator and verifier circuits are enabled on both transmit and receive data paths on high speed and low speed sides. PRBS 2<sup>7</sup>-1 is selected by default, and can be changed through MDIO.

When PRBS test is enabled (PRBSEN=1):

- PRBS\_PASS = 1 indicates that PRBS pattern reception is error free.
- PRBS\_PASS = 0 indicates that a PRBS error is detected. The side (high speed or low speed), and the lane (for low speed side) that this signal refers to is chosen through MDIO.

### 7.3.18 10GBASE-KR Latency

The latency through the TLK10031 in 10GBASE-KR mode is as shown in Figure 7-6. Note that the latency ranges shown indicate static rather than dynamic latency variance, i.e., the range of possible latencies when the serial link is initially established. During normal operation, the latency through the device is fixed.



TX, FEC bypassed, CTC depth 12: 1269-1569 UI (123ns - 152ns)

NOTE: TX Latency numbers represent no external skew between lanes. External lane skew will increase overall latency

RX, FEC bypassed, CTC depth 12: 838-1203 UI (81ns - 117ns)

Figure 7-6. 10GBASE-KR Mode Latency Per Block

## 7.4 Device Functional Modes

The TLK10031 is a versatile high-speed transceiver device that is designed to perform various physical layer functions in three operating modes: 10GBASE-KR Mode, 1G-KX Mode, and General Purpose (10G) SERDES Mode. The three modes are described in three separate sections. The device operating mode is determined by the MODE\_SEL and ST pin settings, as well as MDIO register 1E.0001 bit 10.

### 7.4.1 10GBASE-KR Mode

A simplified block diagram of the transmit and receive data paths in 10GBASE-KR mode is shown in Figure 7-7. This section gives a high-level overview of how data moves through these paths, then gives a more detailed description of each block's functionality.

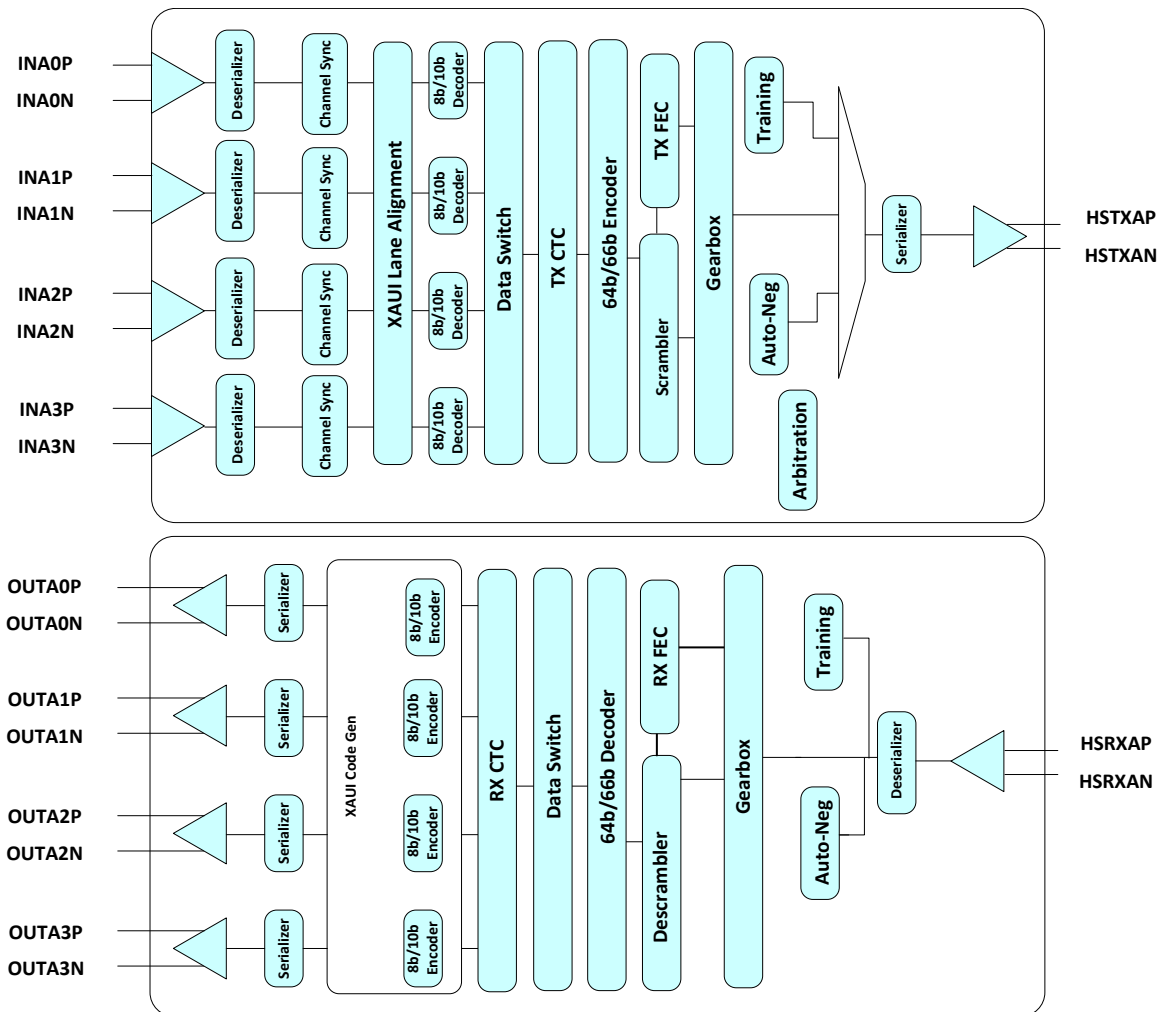


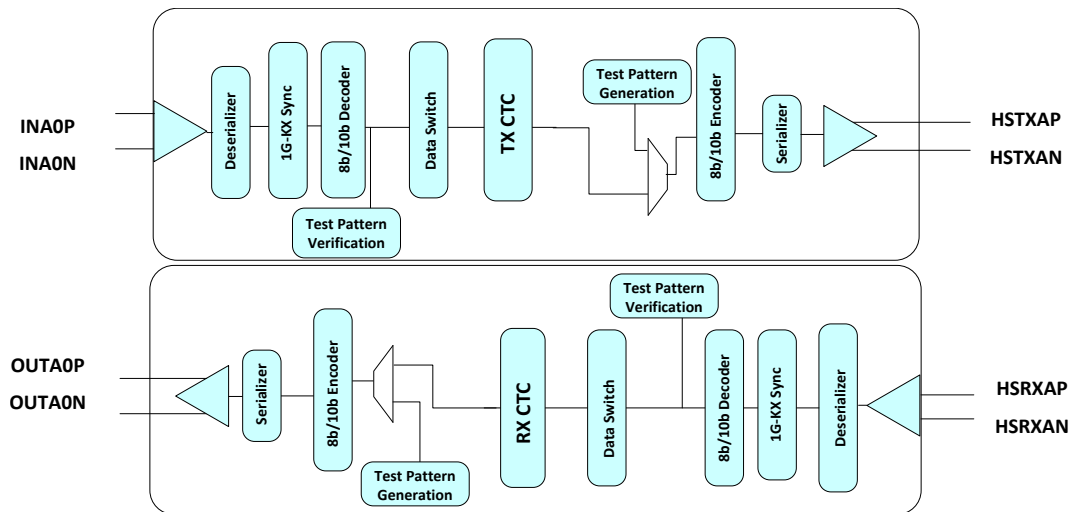
Figure 7-7. A Simplified KR Data Path Block Diagram

Table 7-2. TLK10031 Operating Mode Selection

	ST = 0 (Clause 45)	ST = 1 (Clause 22)
{MODE_SEL pin, Register 1E.0001 bit 10}		
1x	10G	10G
01	10G	10G
00	10G-KR/1G-KX (Determined by Auto Neg)	1G-KX (No Auto Neg)

## 7.4.2 1GBASE-KX Mode

A simplified block diagram of the 1GBASE-KX data path is shown in [Figure 7-8](#).



**Figure 7-8. A Simplified Block Diagram of the 1GKX Data Path**

### 7.4.2.1 Channel Sync Block

This block is used to align the deserialized signals to the proper 10-bit word boundaries. The Channel Sync block generates a synchronization flag indicating incoming data is synchronized to the correct word boundary. This module implements the synchronization state machine found in Figure 36-9 of the IEEE 802.3-2008 Standard. A synchronization status signal, latched low, is available to indicate synchronization errors.

### 7.4.2.2 8b/10b Encoder and Decoder Blocks

As in the 10GBASE-KR operating mode, these blocks are used to convert between 10-bit (encoded) data and 8-bit data words. They can be optionally bypassed. A code invalid signal, latched low, is available to indicate 8b/10b encode and decode errors.

### 7.4.2.3 TX CTC

The transmit clock tolerance compensation (CTC) block acts as a FIFO with add and delete capabilities, adding and deleting 2 cycles each time to support  $\pm 200$ ppm during IFG (no errors) between the read and write clocks. This block implements a 12 deep asynchronous FIFO with a usable space 8 deep. It has two separate pointer tracking systems. One determines when to delete or insert and another determines when to reset. Inserts and deletes are only allowed during non-errored inter-frame gaps and occurs 2 cycles at a time. It has an auto reset feature once collision occurs. If a collision occurs, the indication is latched high until read by MDIO.

### 7.4.2.4 1GBASE-KX Line Rate, PLL Settings, and Reference Clock Selection

When the TLK10031 is configured to operate in the 1GBASE-KX mode, the available line rates, reference clock frequencies, and corresponding PLL multipliers are summarized in [Table 7-3](#).

Table 7-3. Specific Line Rate and Reference Clock Selection for the 1GBASE-KX Mode

LOW SPEED SIDE				HIGH SPEED SIDE			
Line Rate (Mbps)	SERDES PLL Multiplier	Rate	REFCLKP/N (MHz)	Line Rate (Mbps) <sup>(1)</sup>	SERDES PLL Multiplier	Rate	REFCLKP/N (MHz)
3125 <sup>(2)</sup>	10	Full	156.25	3125 <sup>(2)</sup>	10	Full	156.25
3125 <sup>(2)</sup>	5	Full	312.5	3125 <sup>(2)</sup>	5	Full	312.5
1250	10	Half	125 <sup>(2)</sup>	1250	20	Quarter	125 <sup>(2)</sup>
1250	8	Half	156.25	1250	16	Quarter	156.25
1250	8	Quarter	312.5	1250	8	Quarter	312.5

- (1) High Speed Side SERDES runs at 2x effective data rate.
- (2) Manual mode only, as auto negotiation does not support 125Mhz REFCLK or line rate of 3125Mbps. To disable automatic setting of PLL and rate modes, write 1'b1 to bit 13 of register 0x1E.001D.

7.4.2.5 1GBASE-KX Mode Latency

The latency through the TLK10031 in 1G-KX mode is as shown in Figure 7-9. Note that the latency ranges shown indicate static rather than dynamic latency variance, i.e., the range of possible latencies when the serial link is initially established. During normal operation, the latency through the device is fixed.

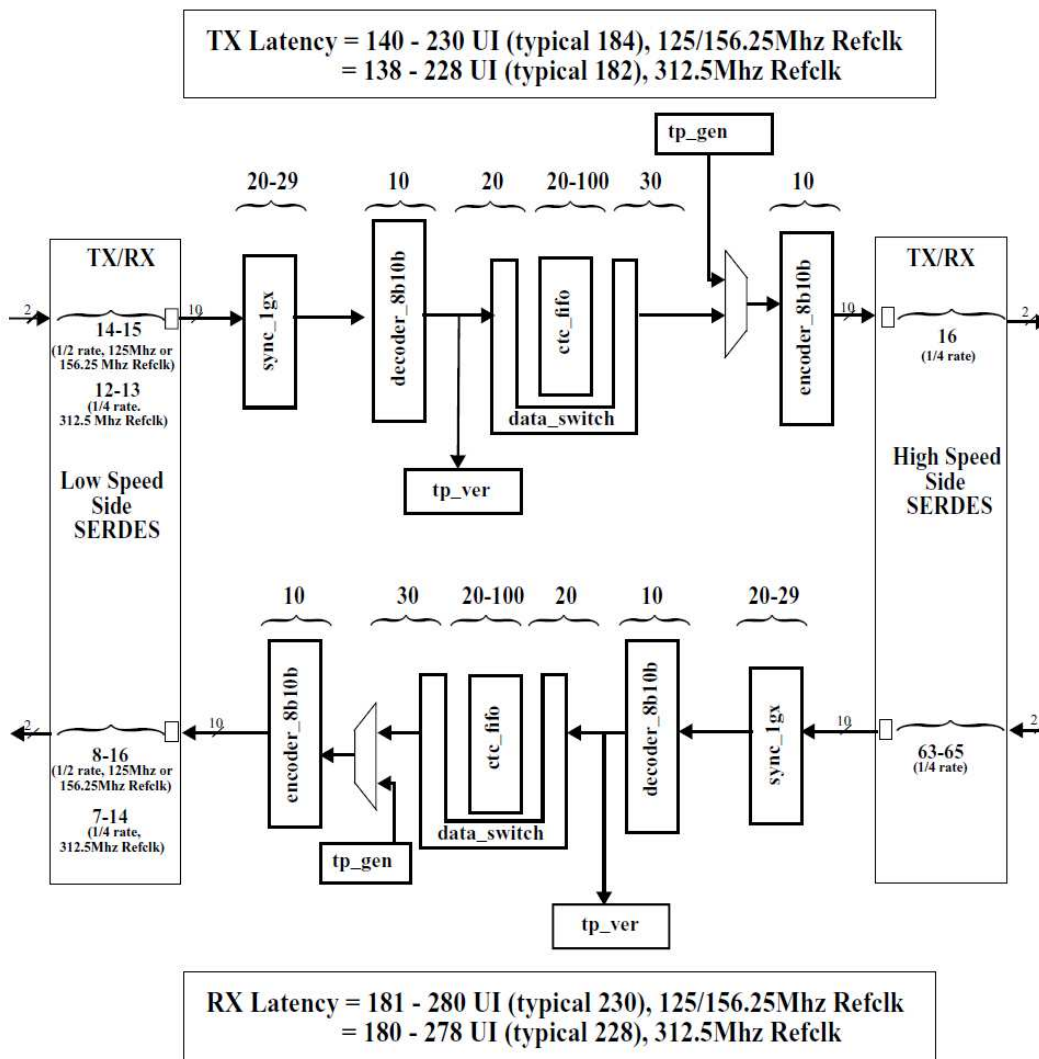


Figure 7-9. 1G-KX Mode Latency

### 7.4.2.5.1 Test Pattern Generator

In 1G-KX mode, this block can be used to generate test patterns allowing the 1G-KX channel to be tested for compliance while in a system environment or for diagnostic purposes. Test patterns generated are high/low/mixed frequency and CRPAT long or short.

### 7.4.2.5.2 Test Pattern Verifier

The 1G-KX test pattern verifier performs the verification and error reporting for the CRPAT Long and Short test patterns specified in Annex 36A of the IEEE 802.3-2008 standard. Errors are reported to MDIO registers.

## 7.4.3 General Purpose (10G) SerDes Mode Functional Description

A block diagram showing the transmit and receive data paths of the TLK10031 operating in General Purpose (10G) SerDes mode is shown in [Figure 7-10](#).

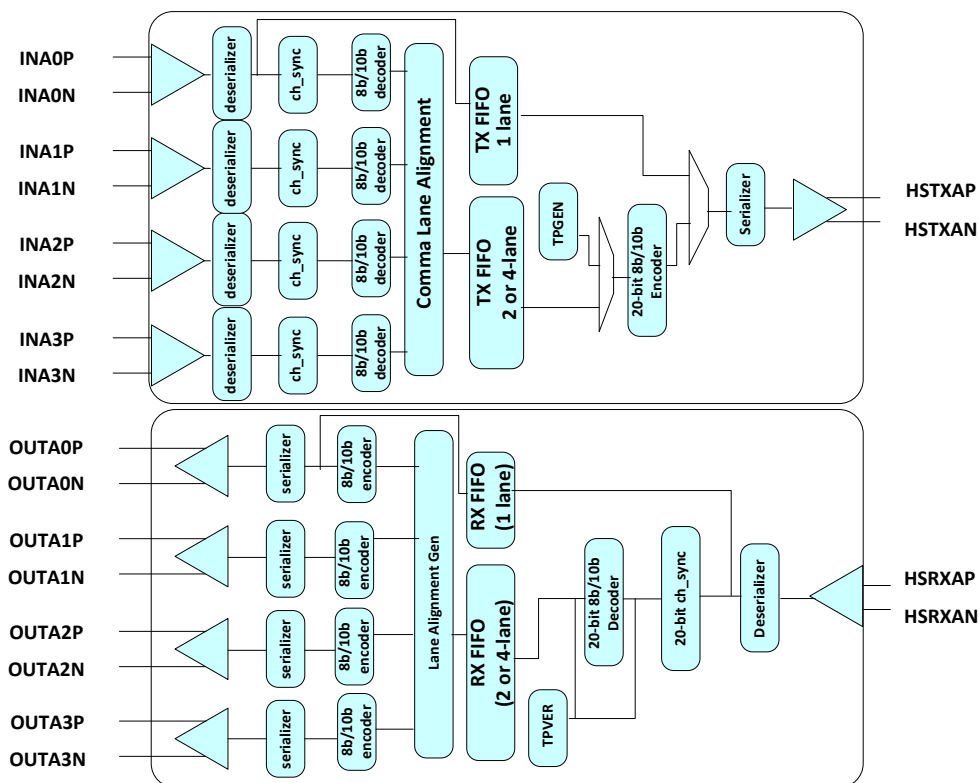


Figure 7-10. Block Diagram Showing General Purpose SerDes Mode

### 7.4.3.1 General Purpose SERDES Transmit Data Path

The TLK10031 General Purpose SERDES low speed to high speed (transmit) data path with the device configured to operate in the normal transceiver (mission) mode is shown in the upper half of [Figure 7-10](#). In this mode, 8B/10B encoded serial data (INA\*P/N) in 2 or 4 lanes is received by the low speed side SERDES and deserialized into 10-bit parallel data for each lane. The data in each individual lane is then byte aligned (channel synchronized) and then 8B/10B decoded into 8-bit parallel data for each lane. The lane data is then lane aligned by the Lane Alignment Slave. 32 bits of lane aligned parallel data is input to a transmit FIFO which delivers it to an 8B/10B encoder, 16 data bits at a time. The resulting 20-bit 8B/10B encoded parallel data is sent to the high speed side SERDES for serialization and output through the HSTXAP\*P/N pins.

#### 7.4.4 General Purpose SERDES Receive Data Path

With the device configured to operate in the normal transceiver (mission) mode, the high speed to low speed (receive) data path is shown in the lower half of [Figure 7-10](#). 8B/10B encoded serial data (HSRXAP\*P/N) is received by the high speed side SERDES and deserialized into 20-bit parallel data. The data is then byte aligned, 8B/10B decoded into 16-bit parallel data, and then delivered to a receive FIFO. The receive FIFO in turn delivers 32-bit parallel data to the Lane Alignment Master which splits the data into the same number of lanes as configured on the transmit data path. The lane data is then 8B/10B encoded and the resulting 10-bit parallel data for each lane is input to the low speed side SERDES for serialization and output through the OUTAP\*P/N pins.

#### 7.4.5 Channel Synchronization

As in the 10GBASE-KR mode, the channel synchronization block is used in the 10G General Purpose SERDES mode to align received serial data to a defined byte boundary. The channel synchronization block detects the comma pattern found in the K28.5 character, and follows the synchronization flowchart shown in [Figure 7-3](#).

#### 7.4.6 8B/10B Encoder and Decoder

As in the 10GBASE-KR and 1GBASE-KX modes, the 8B/10B encoder and decoder blocks are used to convert between 10-bit (encoded) and 8-bit (unencoded) data words.

#### 7.4.7 Lane Alignment Scheme for 8b/10b General Purpose Serdes Mode

Lower rate multi-lane serial signals must be byte aligned and lane aligned such that high speed multiplexing (proper reconstruction of higher rate signal) is possible. For that reason, the TLK10031 implements a special lane alignment scheme on the low speed (LS) side for 8b/10b data that does not contain XAUI alignment characters.

During lane alignment, a proprietary pattern (or a custom comma compliant data stream) is sent by the LS transmitter to the LS receiver on each active lane. This pattern allows the LS receiver to both delineate byte boundaries within a lower speed lane and align bytes across the lanes (2 or 4) such that the original higher rate data ordering is restored.

Lane alignment completes successfully when the LS receiver asserts a “Link Status OK” signal monitored by the LS transmitter on the link partner device such as an FPGA. The TLK10031 sends out the “Link Status OK” signals through the LS\_OK\_OUT\_A output pins, and monitors the “Link Status OK” signals from the link partner device through the LS\_OK\_IN\_A input pins. If the link partner device does not need the TLK10031 Lane Alignment Master (LAM) to send proprietary lane alignment pattern, LS\_OK\_IN\_A can be tied high on the application board or set through MDIO register bits.

The lane alignment scheme is activated under any of the following conditions:

- Device/System power up (after configuration/provisioning)
- Loss of channel synchronization assertion on any enabled LS lane
- Loss of signal assertion on any enabled LS lane
- LS SERDES PLL Lock indication deassertion
- After device configuration change
- After software determined LS 8B/10B decoder error rate threshold exceeded
- After device reset is deasserted
- Any time the LS receiver deasserts “Link Status OK”.
- Presence of reoccurring higher level / protocol framing errors

All the above conditions are selectable through MDIO register provisioning.

The block diagram of the lane alignment scheme is shown in [Figure 7-11](#).

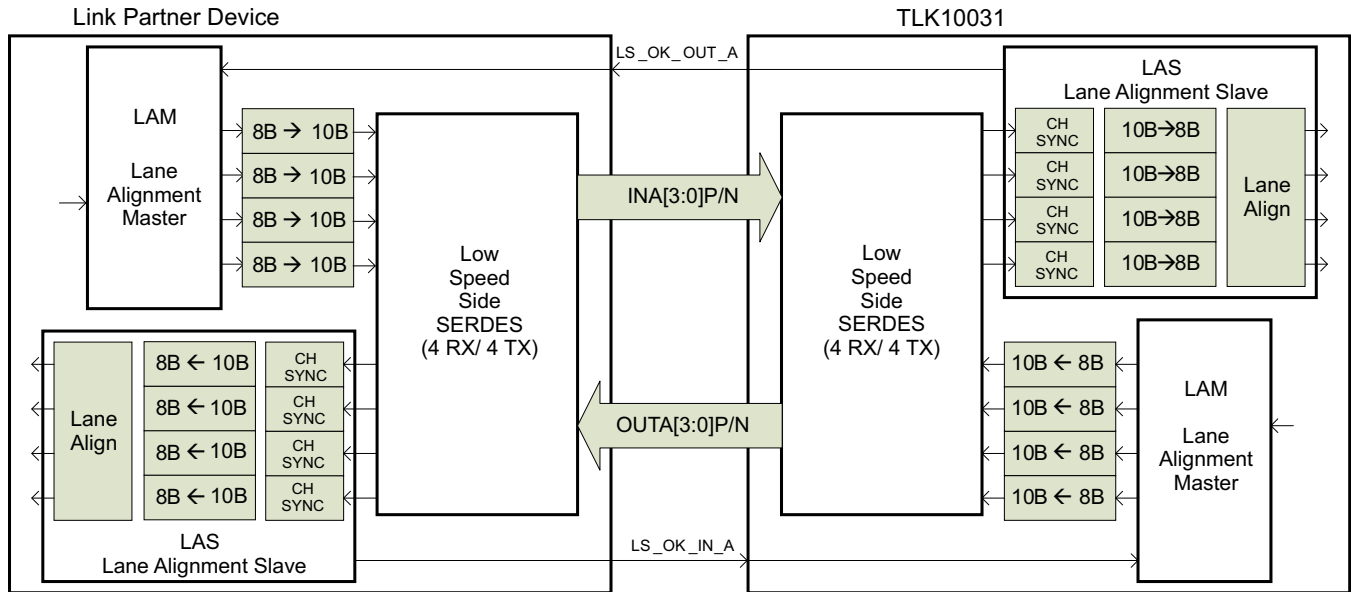


Figure 7-11. Block Diagram of the Lane Alignment Scheme

### 7.4.8 Lane Alignment Components

- Lane Alignment Master (LAM)
  - Responsible for generating proprietary LS lane alignment initialization pattern
  - Resides in the TLK10031 receive path
    - Responsible for bringing up LS receive link for the data sent from the TLK10031 to a link partner device
    - Monitors the LS\_OK\_IN\_A pins for “Link Status OK” signals sent from the Lane Alignment Slave (LAS) of the link partner device
  - Resides in the link partner device
    - Responsible for bringing up LS transmit link for the data sent from the link partner device to the TLK10031
    - Monitors the “Link Status OK” signals sent from the LS\_OK\_OUT\_A pins of the Lane Alignment Slave (LAS) of the TLK10031
- Lane Alignment Slave (LAS)
  - Responsible for monitoring the LS lane alignment initialization pattern
  - Performs channel synchronization per lane (2 or 4 lanes) through byte rotation
  - Performs lane alignment and realignment of bytes across lanes
  - Resides in the TLK10031 transmit path
    - Generates the “Link Status OK” signal for the LAM on the link partner device
  - Resides in the link partner device
    - Generates the “Link Status OK” signal for the LAM on the TLK10031 device.

Reference code from Texas Instruments is available for the LAM and LAS modules for easy integration into FPGAs.



### 7.4.9 Lane Alignment Operation

During lane alignment, the LAM sends a repeating pattern of 49 characters (control + data) simultaneously across all enabled LS lanes. These simultaneous streams are then encoded by 8B/10B encoders in parallel. The proprietary lane alignment pattern consists of the following characters:

/K28.5/ (CTL=1, Data=0xBC)

Repeat the following sequence of 12 characters four times:

/D30.5/ (CTL=0, Data=0xBE)

/D23.6/ (CTL=0, Data=0xD7)

/D3.1/ (CTL=0, Data=0x23)

/D7.2/ (CTL=0, Data=0x47)

/D11.3/ (CTL=0, Data=0x6B)

/D15.4/ (CTL=0, Data=0x8F)

/D19.5/ (CTL=0, Data=0xB3)

/D20.0/ (CTL=0, Data=0x14)

/D30.2/ (CTL=0, Data=0x5E)

/D27.7/ (CTL=0, Data=0xFB)

/D21.1/ (CTL=0, Data=0x35)

/D25.2/ (CTL=0, Data=0x59)

The above 49-character sequence is repeated until LS\_OK\_IN\_A is asserted. Once LS\_OK\_IN\_A is asserted, the LAM resumes transmitting traffic received from the high speed side SERDES immediately.

The TLK10031 performs lane alignment across the lanes similar in fashion to the IEEE 802.3-2008 (XAUI) specification. XAUI only operates across 4 lanes while LAS operates with 2 or 4 lanes. The lane alignment state machine is shown in [Figure 7-12](#). The TLK10031 uses the comma (K28.5) character for lane to lane alignment by default, but can be provisioned to use XAUI's /A/ character as well.

Lane alignment checking is not performed by the LAS after lane alignment is achieved. After LAM detects that the LS\_OK\_IN\_A signal is asserted, normal system traffic is carried instead of the proprietary lane alignment pattern.

Channel synchronization is performed during lane alignment and normal system operation.

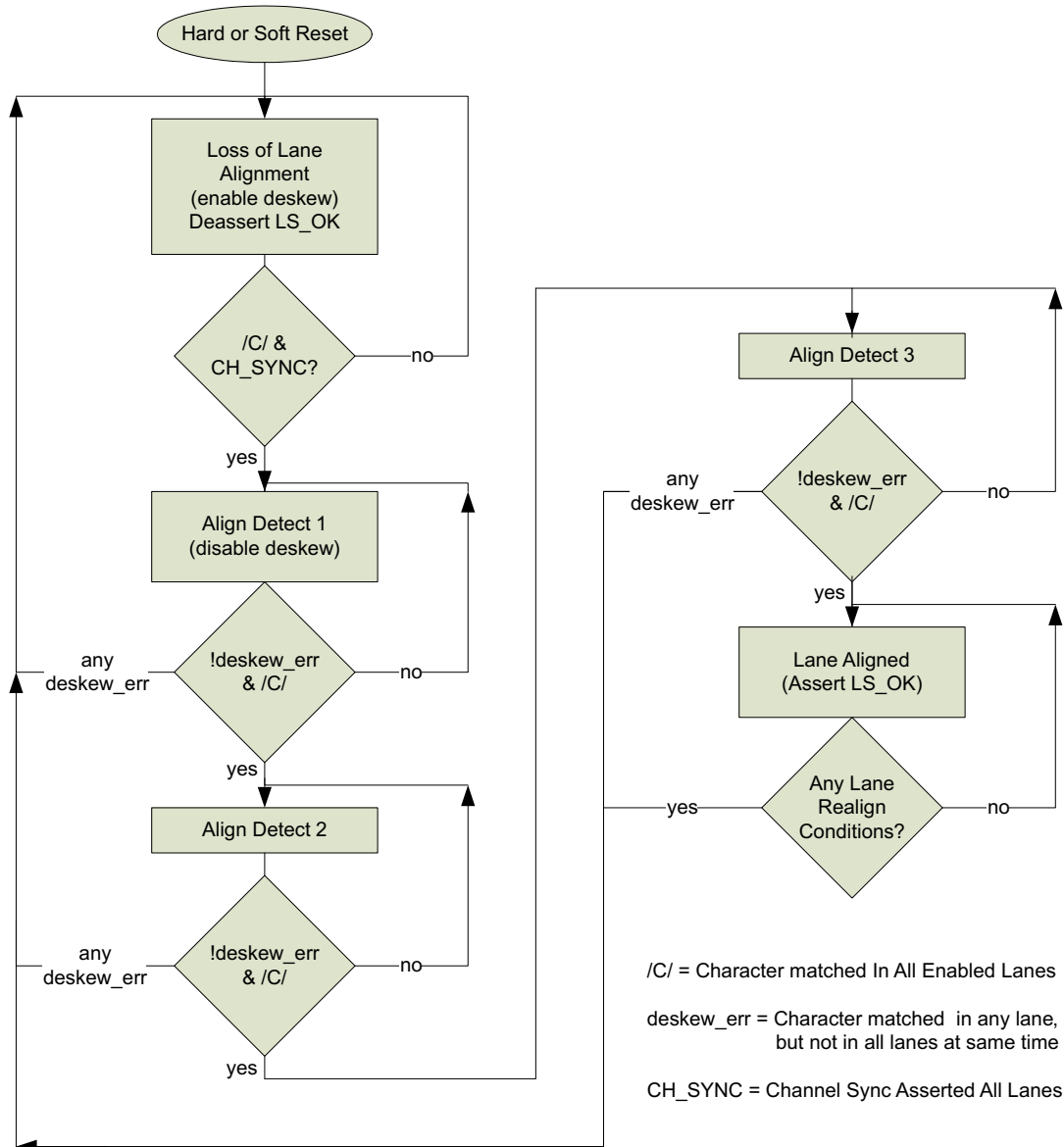


Figure 7-12. Lane Alignment State Machine

### 7.4.10 Line Rate, SERDES PLL Settings, and Reference Clock Selection for the General Purpose SERDES Mode

When the TLK10031 is set to operate in the General Purpose SERDES mode, the following tables show a summary of line rates and reference clock frequencies used for CPRI/OBSAI for 1:1, 2:1 and 4:1 operation modes.

**Table 7-4. Specific Line Rate Selection for the 1:1 General Purpose Operation Mode**

LOW SPEED SIDE				HIGH SPEED SIDE			
Line Rate (Mbps)	SERDES PLL Multiplier	Rate	REFCLKP/N (MHz)	Line Rate (Mbps)	SERDES PLL Multiplier	Rate	REFCLKP/N (MHz)
4915.2	20	Full	122.88	4915.2	20	Half	122.88
3840	12.5	Full	153.6	3840	12.5	Half	153.6
3125	10	Full	156.25	3125	10	Half	156.25
3125	5	Full	312.5	3125	5	Half	312.5
3072	10	Full	153.6	3072	10	Half	153.6
2457.6	8/10	Full	153.6/122.88	2457.6	16/20	Quarter	153.6/122.88
1920	12.5	Half	153.6	1920	12.5	Quarter	153.6
1536	10	Half	153.6	1536	10	Quarter	153.6
1228.8	8/10	Half	153.6/122.88	1228.8	16/20	Eighth	153.6/122.88

**Table 7-5. Specific Line Rate and Reference Clock Selection for the 2:1 General Purpose Operation Mode**

LOW SPEED SIDE				HIGH SPEED SIDE			
Line Rate (Mbps)	SERDES PLL Multiplier	Rate	REFCLKP/N (MHz)	Line Rate (Mbps)	SERDES PLL Multiplier	Rate	REFCLKP/N (MHz)
4915.2	20	Full	122.88	9830.4	20	Full	122.88
3840	12.5	Full	153.6	7680	12.5	Full	153.6
3072	10	Full	153.6	6144	10	Full	153.6
2457.6	8/10	Full	153.6/122.88	4915.2	16/20	Half	153.6/122.88
1920	12.5	Half	153.6	3840	12.5	Half	153.6
1536	10	Half	153.6	3072	10	Half	153.6
1228.8	8/10	Half	153.6/122.88	2457.6	16/20	Quarter	153.6/122.88
768	10	Quarter	153.6	1536	10	Quarter	153.6
614.4	8/10	Quarter	153.6/122.88	1228.8	16/20	Eighth	153.6/122.88

**Table 7-6. Specific Line Rate and Reference Clock Selection for the 4:1 General Purpose Operation Mode**

LOW SPEED SIDE				HIGH SPEED SIDE			
Line Rate (Mbps)	SERDES PLL Multiplier	Rate	REFCLKP/N (MHz)	Line Rate (Mbps)	SERDES PLL Multiplier	Rate	REFCLKP/N (MHz)
2457.6	8/10	Full	153.6/122.88	9830.4	16/20	Full	153.6/122.88
1536	10	Half	153.6	6144	10	Full	153.6
1228.8	8/10	Half	153.6/122.88	4915.2	16/20	Half	153.6/122.88
768	10	Quarter	153.6	3072	10	Half	153.6
614.4	8/10	Quarter	153.6/122.88	2457.6	16/20	Quarter	153.6/122.88

Table 7-4, Table 7-5, and Table 7-6 indicate two possible reference clock frequencies for CPRI/OBSAI applications: 153.6MHz and 122.88MHz, which can be used based on the application preference. The SERDES PLL Multiplier (MPY) has been given for each reference clock frequency respectively. The low speed side and the high speed side SERDES use the same reference clock frequency.

For other line rates not shown in Table 7-4, Table 7-5, or Table 7-6, valid reference clock frequencies can be selected with the help of the information provided in Table 7-7 and Table 7-8 for the low speed and high speed side SERDES. The reference clock frequency has to be the same for the two SERDES and must be within the specified valid ranges for different PLL multipliers.

**Table 7-7. Line Rate and Reference Clock Frequency Ranges for the Low Speed Side SERDES (General Purpose Mode)**

SERDES PLL Multiplier (MPY)	Reference Clock (MHz)		Full Rate (Gbps)		Half Rate (Gbps)		Quarter Rate (Gbps)	
	Min	Max	Min	Max	Min	Max	Min	Max
4	250	425	2	3.4	1	1.7	0.5	0.85
5	200	425	2	4.25	1	2.125	0.5	1.0625
6	166.667	416.667	2	5	1	2.5	0.5	1.25
8	125	312.5	2	5	1	2.5	0.5	1.25
10	122.88	250	2.4576	5	1.2288	2.5	0.6144	1.25
12	122.88	208.333	2.94912	5	1.47456	2.5	0.73728	1.25
12.5	122.88	200	3.072	5	1.536	2.5	0.768	1.25
15	122.88	166.667	3.6864	5	1.8432	2.5	0.9216	1.25
20	122.88	125	4.9152	5	2.4576	2.5	1.2288	1.25

RateScale: Full Rate = 0.5, Half Rate = 1, Quarter Rate = 2

**Table 7-8. Line Rate and Reference Clock Frequency Ranges for the High Speed Side SERDES (General Purpose Mode)**

SERDES PLL Multiplier (MPY)	Reference Clock (MHz)		Full Rate (Gbps)		Half Rate (Gbps)		Quarter Rate (Gbps)		Eighth Rate (Gbps)	
	Min	Max	Min	Max	Min	Max	Min	Max	Min	Max
4	375	425	6	6.8	3	3.4	1.5	1.7		
5	300	425	6	8.5	3	4.25	1.5	2.125	1.0	1.0625
6	250	416.667	6	10	3	5	1.5	2.5	1.0	1.25
8	187.5	312.5	6	10	3	5	1.5	2.5	1.0	1.25
10	150	250	6	10	3	5	1.5	2.5	1.0	1.25
12	125	208.333	6	10	3	5	1.5	2.5	1.0	1.25
12.5	153.6	200	7.68	10	3.84	5	1.92	2.5	1.0	1.25
15	122.88	166.667	7.3728	10	3.6864	5	1.8432	2.5	1.0	1.25
16	122.88	156.25	7.86432	10	3.932	5	1.966	2.5	1.0	1.25
20	122.88	125	9.8304	10	4.9152	5	2.4576	2.5	1.2288	1.25

RateScale: Full Rate = 0.25, Half Rate = 0.5, Quarter Rate = 1, Eighth Rate = 2

For example, in the 2:1 operation mode, if the low speed side line rate is 1.987Gbps, the high-speed side line rate will be 3.974Gbps. The following steps can be taken to make a reference clock frequency selection:

1. Determine the appropriate SERDES rate modes that support the required line rates. Table 7-7 shows that the 1.987Gbps line rate on the low speed side is only supported in the half rate mode (RateScale = 1). Table 7-8 shows that the 3.974Gbps line rate on the high speed side is only supported in the half rate mode (RateScale = 1).
2. For each SERDES side, and for all available PLL multipliers (MPY), compute the corresponding reference clock frequencies using the formula:

$$\text{Reference Clock Frequency} = (\text{LineRate} \times \text{RateScale}) / \text{MPY}$$

The computed reference clock frequencies are shown in Table 7-9 along with the valid minimum and maximum frequency values.

3. Mark all the common frequencies that appear on both SERDES sides. Note and discard all those that fall outside the allowed range. In this example, the common frequencies are highlighted in [Table 7-9](#). The highest and lowest computed reference clock frequencies must be discarded because they exceed the recommended range.
4. Select any of the remaining marked common reference clock frequencies. Higher reference clock frequencies are generally preferred. In this example, any of the following reference clock frequencies can be selected: 397.4MHz, 331.167MHz, 248.375MHz, 198.7MHz, 165.583MHz, 158.96MHz, and 132.467MHz

**Table 7-9. Reference Clock Frequency Selection Example**

LOW SPEED SIDE SERDES				HIGH SPEED SIDE SERDES			
SERDES PLL MULTIPLIER	REFERENCE CLOCK FREQUENCY (MHz)			SERDES PLL MULTIPLIER	REFERENCE CLOCK FREQUENCY (MHz)		
	COMPUTED	MIN	MAX		COMPUTED	MIN	MAX
4	496.750	250	425	4	496.750	375	425
5	397.400	200	425	5	397.400	300	425
6	331.167	166.667	416.667	6	331.167	250	416.667
8	248.375	125	312.5	8	248.375	187.5	312.5
10	198.700	122.88	250	10	198.700	150	250
12	165.583	122.88	208.333	12	165.583	125	208.333
12.5	158.960	122.88	200	12.5	158.960	153.6	200
15	132.467	122.88	166.667	15	132.467	122.88	166.667
20	99.350	122.88	125	20	99.350	122.88	125

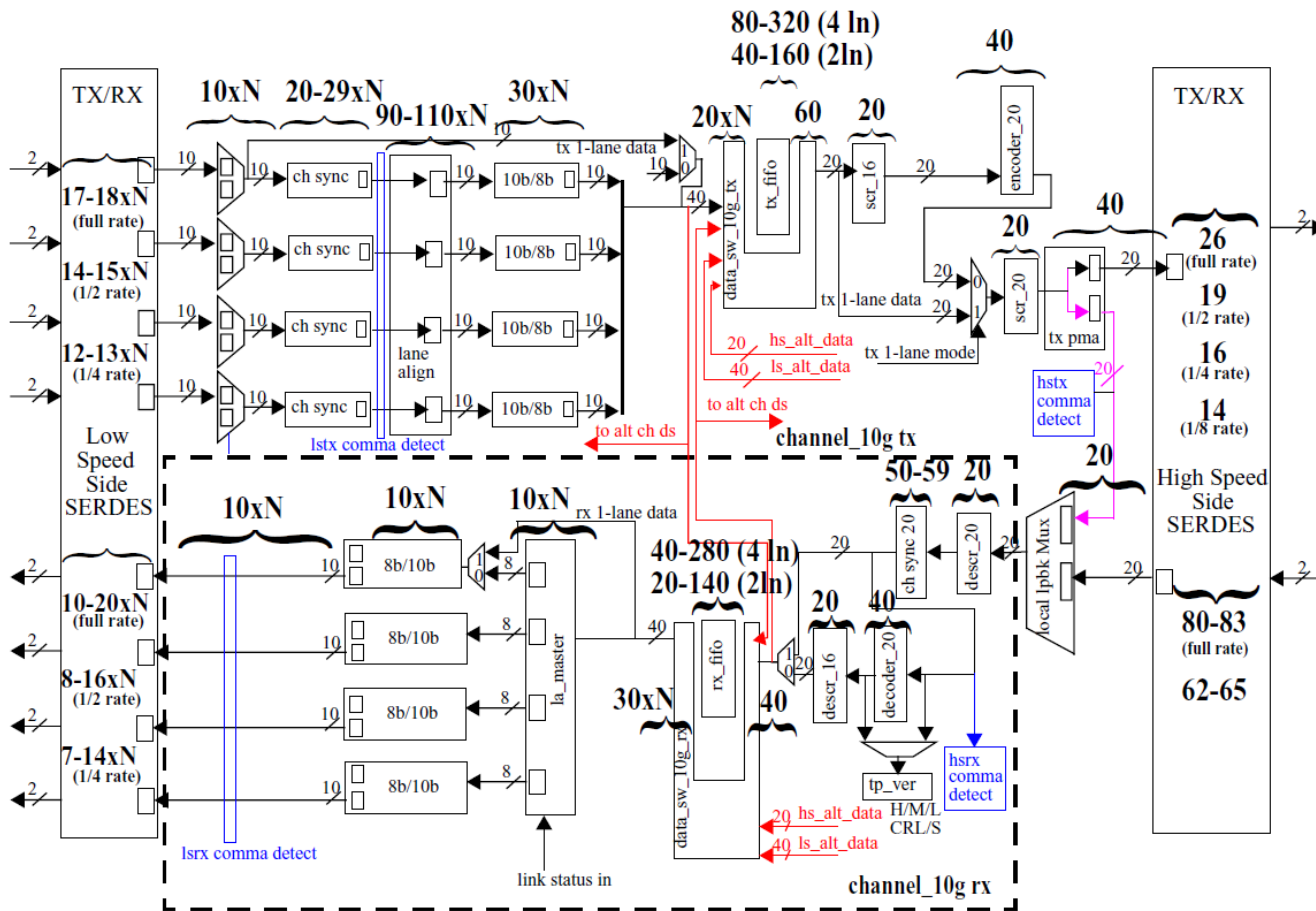
#### 7.4.11 General Purpose SERDES Mode Test Pattern Support

The TLK10031 has the capability to generate and verify various test patterns for self-test and system diagnostic measurements. Most of the same test pattern support is available for 10G General Purpose Mode as for 10G-KR. (See Register 1E.000B for details).

#### 7.4.12 General Purpose SERDES Mode Latency

The latency through the TLK10031 in General Purpose SERDES mode is as shown in [Figure 7-13](#). Note that the latency ranges shown indicate static rather than dynamic latency variance, i.e., the range of possible latencies when the serial link is initially established. During normal operation, the latency through the device is fixed.

**TX Full Rate Latency = 187-217x4 + 286-526 UI (4 ln: 1034-1394, 1059 typical)  
187-217x2 + 246-366 UI (2 ln: 620-800, 645 typical)**



**RX Full Rate Latency = 70-80x4 + 310-562 UI (4 ln: 590-882, 637 typical)  
70-80x2 + 290-422 UI (2 ln: 430-582, 467 typical)**

Figure 7-13. General Purpose SERDES Mode Latency

7.4.12.1 Clocking Architecture (All Modes)

A simplified clocking architecture for the TLK10031 is captured in Figure 7-14. The device has an option of operating with a differential reference clock provided either on pins REFCLK0P/N or REFCLK1P/N. The choice is made either through MDIO or through REFCLK\_SEL pins. The low speed side SERDES, high speed side SERDES and the associated part of the digital core can operate from the same or different reference clock.

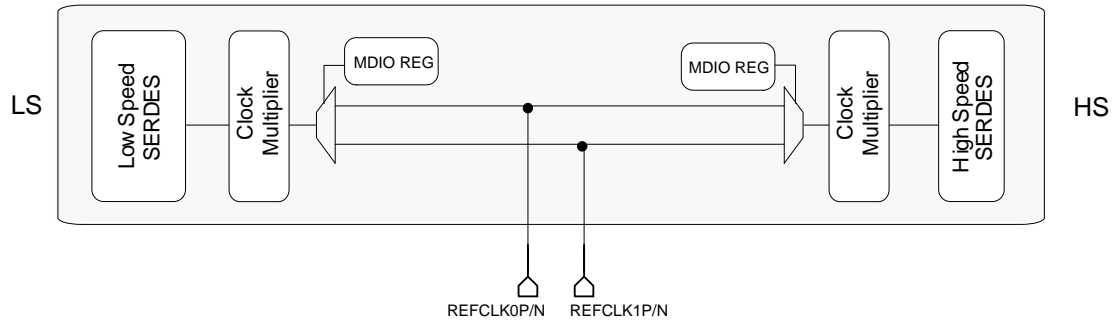


Figure 7-14. Reference Clock Architecture

The TLK10031 has one output port - CLKOUTAP/N. This output port can be configured to output the byte clock from either the low speed or high speed serdes. The output clock can also be chosen to be synchronous with the transmit clock rate. Various divider values can be chosen using the MDIO interface. The maximum CLKOUT frequency is 500 MHz.

#### 7.4.12.2 Integrated Smart Switch

The TLK10031 allows for adjustable routing of data within the device. Each output port may be configured to output data corresponding to any input port.

Figure 7-15 illustrates the different possible data path routings.

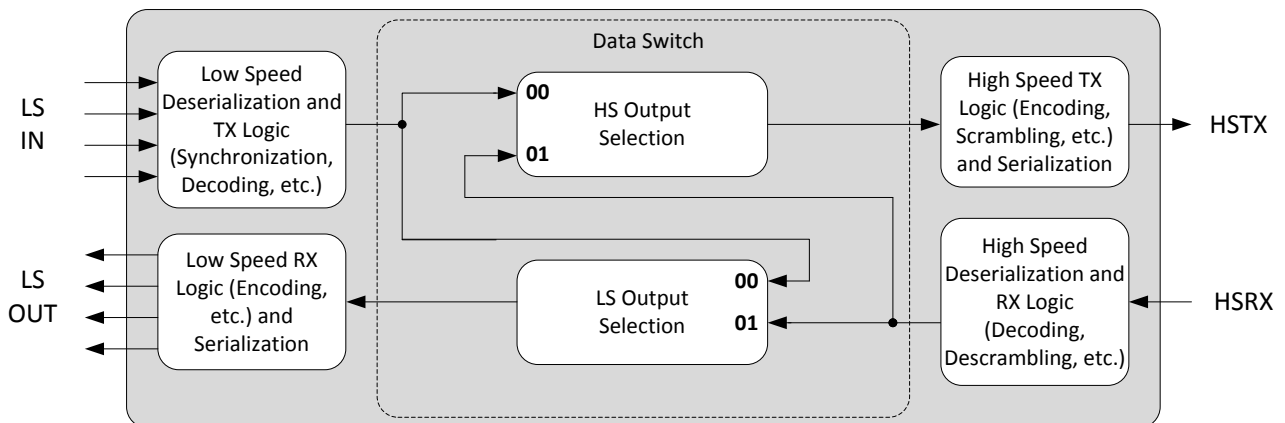


Figure 7-15. Signal Routings for Integrated Smart Switch

#### 7.4.13 Intelligent Switching Modes

The TLK10031 supports various switching modes that allow for the user to choose when changes in data routing take effect. There are three options:

1. Wait for the end of the current packet, insert IDLEs, then switch to the new input source at the start of its next packet. This option allows the current packet to complete so that data is not lost.
2. Drop current packet and insert a programmable character (such as Local Fault), then switch to the new input source at the start of its next packet. This can provide a more immediate switch-over at the expense of the current packet's data.
3. Immediately switch lanes without packet monitoring.

For more information on selecting different intelligent switching modes, see MDIO register bits 0x1E.0017 through 0x1E.001B.

### 7.4.14 Serial Loopback Modes

The TLK10031 supports internal loopback of the serial output signals for self-test and system diagnostic purposes. Loopback mode can be enabled independently for each SERDES via MDIO register bits. When loopback mode is enabled for a particular SERDES, the serial output data will be internally routed to the SERDES's serial input port. The output data will remain available for monitoring on the output pins.

### 7.4.15 Latency Measurement Function (General Purpose SerDes Mode)

The TLK10031 includes a latency measurement function to support CPRI and OBSAI type applications. There are two start and two stop locations for the latency counter as shown in Figure 7-16. The start and stop locations are selectable through MDIO register bits. The elapsed time from a comma detected at an assigned counter start location to a comma detected at an assigned counter stop location is measured and reported through the MDIO interface. The following three control characters (containing commas) are monitored:

1. K28.1 (control = 1, data = 0x3C)
2. K28.5 (control = 1, data = 0xBC)
3. K28.7 (control = 1, data = 0xFC).

The first comma found at the assigned counter start location will start up the latency counter. The first comma detected at the assigned counter stop location will stop the latency counter. The 20-bit latency counter result of this measurement is readable through the MDIO interface. The accuracy of the measurement is a function of the serial bit rate. The register will return a value of 0xFFFF if the duration between transmit and receive comma detection exceeds the depth of the counter. Only one measurement value is stored internally until the 20-bit results counter is read. The counter will return zero in cases where a transmit comma was never detected (indicating the results counter never began counting). In addition, the stopwatch counter can be configured to be started or stopped manually based on the state of the PRTAD0 pin (see MDIO register map for details).

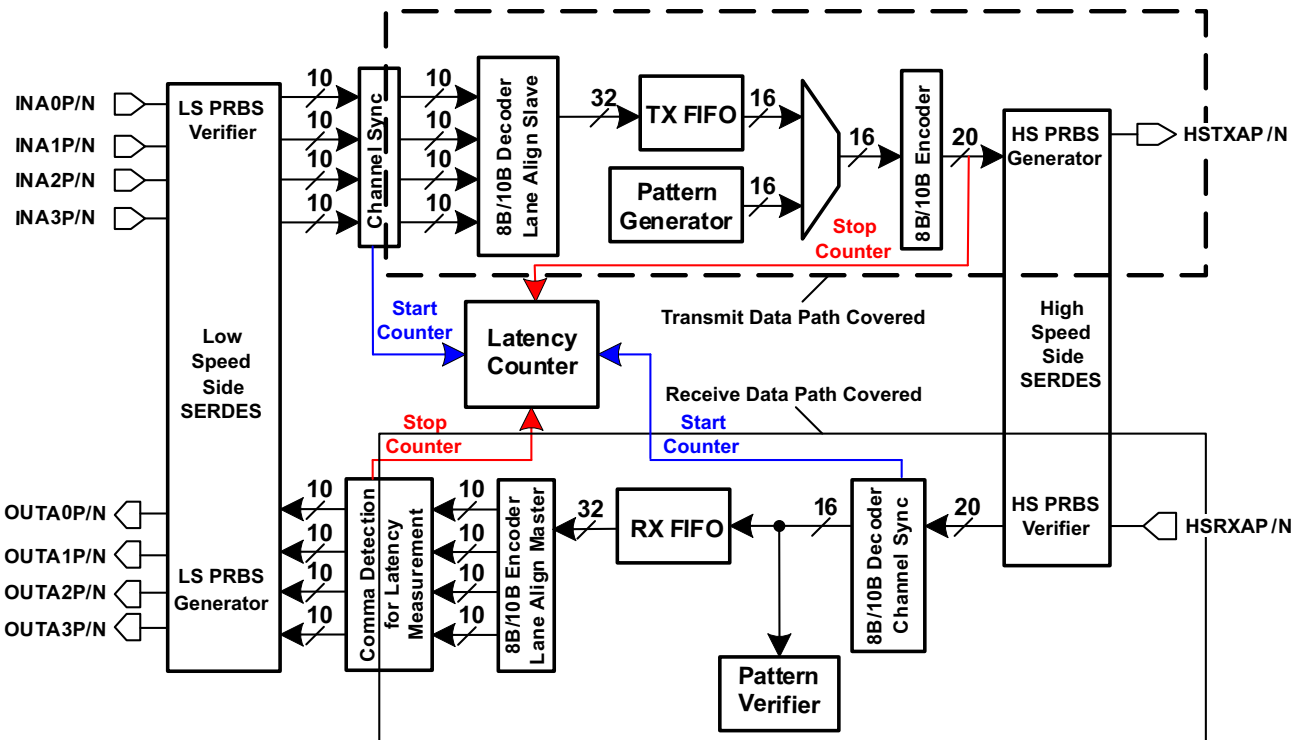


Figure 7-16. Location of TX and RX Comma Character Detection



In high speed side SERDES full rate mode, the latency measurement function runs off of an internal clock which is equal to the frequency of the transmit serial bit rate divided by 8. In half rate mode, the latency measurement function runs off of an internal clock which is equal to the serial bit rate divided by 4. In quarter rate mode, the latency measurement function runs off of an internal clock which is equal to the serial bit rate divided by 2. In eighth rate mode, the latency measurement function runs off of a clock which is equal to the serial bit rate.

The latency measurement does not include the low speed side transmit SERDES contribution as well as part of the channel synchronization block. The latency introduced by those two is up to  $(18 + 10) \times N$  high speed side unit intervals (UIs), where  $N = 2, 4$  is the multiplex factor. The latency measurement also doesn't account for the low speed side receive SERDES contribution which is estimated to be up to  $20 \times N$  high speed side UIs.

The latency measurement accuracy in all cases is equal to plus or minus one latency measurement clock period. The measurement clock can be divided down if a longer duration measurement is required, in which case the accuracy of the measurement is accordingly reduced. The high speed latency measurement clock is divided by either 1, 2, 4, or 8 via register settings. The high speed latency measurement clock may only be used when operating at one of the serial rates specified in the CPRI/OBSAI specifications. It is also possible to run the latency measurement function off of the recovered byte clock (giving a latency measurement clock frequency equal to the serial bit rate divided by 20).

The accuracy for the standard based CPRI/OBSAI application rates is shown in [Table 7-10](#), and assumes the latency measurement clock is not divided down per user selection (division is required to measure a duration greater than 682  $\mu$ s). For each division of 2 in the measurement clock, the accuracy is also reduced by a factor of two.

**Table 7-10. CPRI/OBSAI Latency Measurement Function Accuracy (Undivided Measurement Clock)**

LINE RATE (Gbps)	RATE	LATENCY CLOCK FREQUENCY (GHz)	ACCURACY ( $\pm$ ns)
1.2288	Eighth	1.2288	0.8138
1.536	Quarter	0.768	1.302
2.4576	Quarter	1.2288	0.8138
3.072	Half	0.768	1.302
3.84	Half	0.96	1.0417
4.9152	Half	1.2288	0.8138
6.144	Full	0.768	1.302
7.68	Full	0.96	1.0417
9.8304	Full	1.2288	0.8138

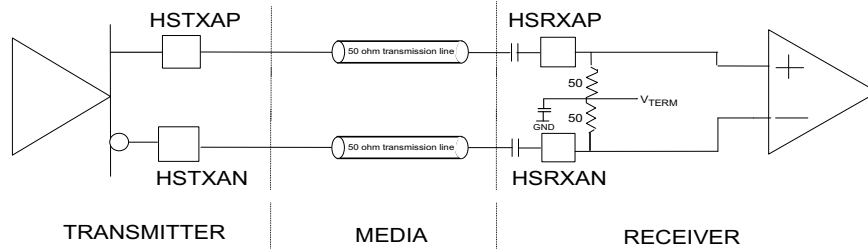
### 7.4.16 Power Down Mode

The TLK10031 can be put in power down either through device input pins or through MDIO control register 1E.0001.

- PDTRXA\_N: Active low, power down

#### 7.4.16.1 High Speed CML Output

The high speed data output driver is implemented using Current Mode Logic (CML) with integrated pull up resistors. The transmit outputs must be AC coupled.



**Figure 7-17. Example of High Speed I/O AC Coupled Mode**

Current Mode Logic (CML) drivers often require external components. The disadvantage of the external component is a limited edge rate due to package and line parasitic. The CML driver on TLK10031 has on-chip 50  $\Omega$  termination resistors terminated to VDDT, providing optimum performance for increased speed requirements. The transmitter output driver is highly configurable allowing output amplitude and de-emphasis to be tuned to the channel's individual requirements. Software programmability allows for very flexible output amplitude control. Only AC coupled output mode is supported.

When transmitting data across long lengths of PCB trace or cable, the high frequency content of the signal is attenuated due to dielectric losses and the skin effect of the media. This causes a “smearing” of the data eye when viewed on an oscilloscope. The net result is reduced timing margins for the receiver and clock recovery circuits. In order to provide equalization for the high frequency loss, 4-tap finite impulse response (FIR) transmit de-emphasis is implemented. Output swing control is via MDIO.

### 7.4.16.2 High Speed Receiver

The high speed receiver is differential CML with internal termination resistors. The receiver requires AC coupling. The termination impedances of the receivers are configured as 100  $\Omega$  with the center tap weakly tied to 0.7 $\times$ VDDT, and a capacitor is used to create an AC ground (see [Figure 7-17](#)).

TLK10031 serial receivers incorporate adaptive equalizers. This circuit compensates for channel insertion loss by amplifying the high frequency components of the signal, reducing inter-symbol interference. Equalization can be enabled or disabled per register settings. Both feed-forward equalization (FFE) and decision feedback equalization (DFE) are used to minimize the pre-cursor and post-cursor components (respectively) of intersymbol interference.

### 7.4.16.3 Loss of Signal Output Generation (LOS)

Loss of input signal detection is based on the voltage level of each serial input signal INA\*P/N, HSRXAP/N. When LOS indication is enabled and the channel's differential serial receive input level is < 75 mVpp, the channel's respective LOS indicator (LOSA) are asserted (high true). If the input signal is >150 mVpp, the LOS indicator will be deasserted (low false). Outside of these ranges, the LOS indicator is undefined. The LOS indicators can also directly be read through the MDIO interface.

The following additional critical status conditions can be combined with the loss of signal condition enabling additional real-time status signal visibility on the LOSA output:

1. Loss of Channel Synchronization Status – Logically OR'd with LOS condition(s) when enabled. Loss of channel synchronization can be optionally logically OR'd (disabled by default) with the internally generated LOS condition.
2. Loss of PLL Lock Status on LS and HS sides – Logically OR'd with LOS condition(s) when enabled. The internal PLL loss of lock status bit is optionally OR'd (disabled by default) with the other internally generated loss of signal conditions.
3. Receive 8B/10B Decode Error (Invalid Code Word or Running Disparity Error) – Logically OR'd with LOS condition(s) when enabled. The occurrence of an 8B/10B decode error (invalid code word or disparity error) is optionally OR'd (disabled by default) with the other internally generated loss of signal conditions.
4. AGCLOCK (Active Gain Control Currently Locked) – Inverted and Logically OR'd with LOS condition(s) when enabled. HS RX SERDES adaptive gain control unlocked indication is optionally OR'd (disabled by default) with the other internally generated loss of signal conditions.
5. AZDONE (Auto Zero Calibration Done) - Inverted and Logically OR'd with LOS conditions(s) when enabled. HS RX SERDES auto-zero not done indication is optionally OR'd (disabled by default) with the other internally generated loss of signal conditions.

Refer to [Figure 7-18](#), which shows the detailed implementation of the LOSA signal along with the associated MDIO control registers for the General Purpose SERDES mode. More details about LOS settings including configurations related to the 10GBASE-KR mode can be found in the Programmers Reference section.

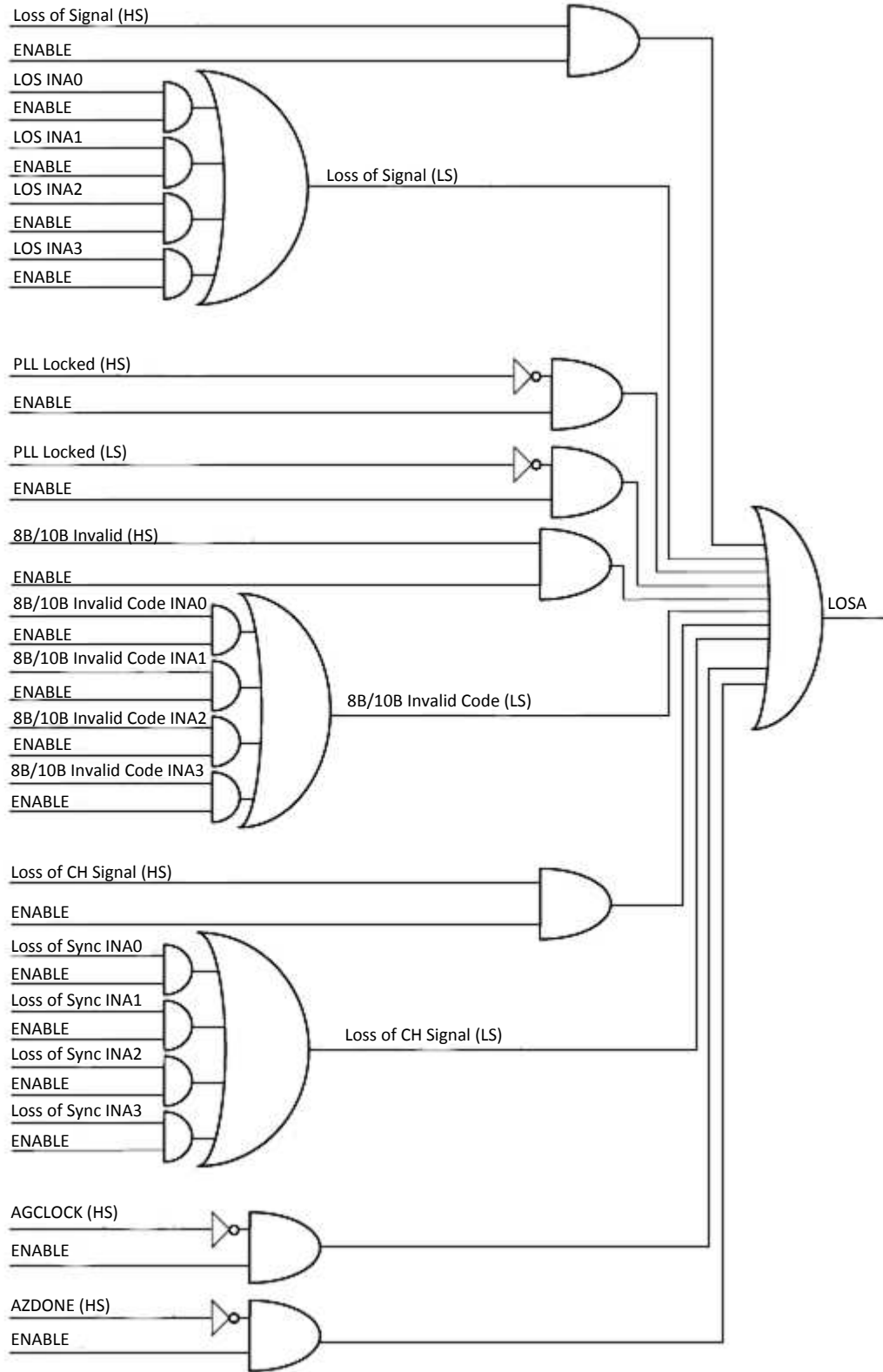


Figure 7-18. LOSA – Logic Circuit Implementation

### 7.4.17 MDIO Management Interface

The TLK10031 supports the Management Data Input/Output (MDIO) Interface as defined in Clauses 22 and 45 of the IEEE 802.3-2008 Ethernet specification. The MDIO allows register-based management and control of the serial links.

The MDIO Management Interface consists of a bi-directional data path (MDIO) and a clock reference (MDC). The device identification and port address are determined by control pins (see [Section 4](#)). Also, whether the device responds as a Clause 22 or Clause 45 device is also determined by control pin ST (see [Section 4](#)).

In Clause 45 (ST = 0) and Clause 22 (ST = 1), the top 4 control pins PRTAD[4:1] determine the device port address. In this mode, TLK10031 responds if the PHY address field on the MDIO protocol (PA[4:1]) matches PRTAD[4:1] pin value, and the PHY address field PA[0] = 0.

In Clause 22 (ST = 1) mode, only 32 (5'b00000 to 5'b11111) register addresses can be accessed through standard protocol. Due to this limitation, an indirect addressing method (More description in Clause 22 Indirect Addressing section) is implemented to provide access to all device specific control/status registers that cannot be accessed through the standard Clause 22 register address space.

Write transactions which address an invalid register or device or a read only register will be ignored. Read transactions which address an invalid register or device will return a 0.

### 7.4.18 MDIO Protocol Timing

Timing for a Clause 45 address transaction is shown in [Figure 7-19](#). The Clause 45 timing required to write to the internal registers is shown in [Figure 7-20](#). The Clause 45 timing required to read from the internal registers is shown in [Figure 7-21](#). The Clause 45 timing required to read from the internal registers and then increment the active address for the next transaction is shown in [Figure 7-22](#). The Clause 22 timing required to read from the internal registers is shown in [Figure 7-23](#). The Clause 22 timing required to write to the internal registers is shown in [Figure 7-24](#).

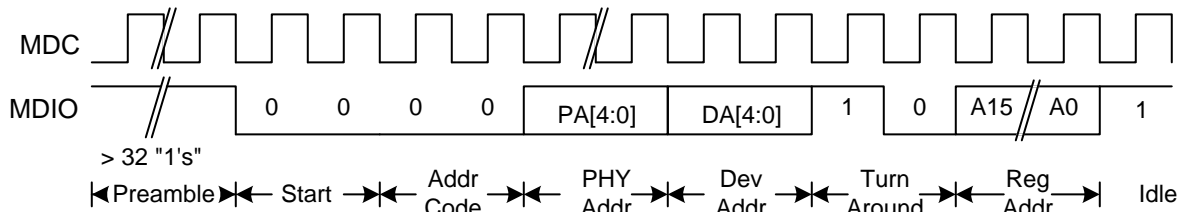


Figure 7-19. CL45 - Management Interface Extended Space Address Timing

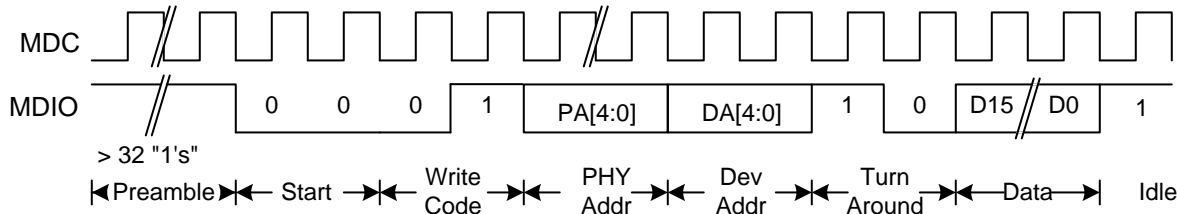


Figure 7-20. CL45 - Management Interface Extended Space Write Timing

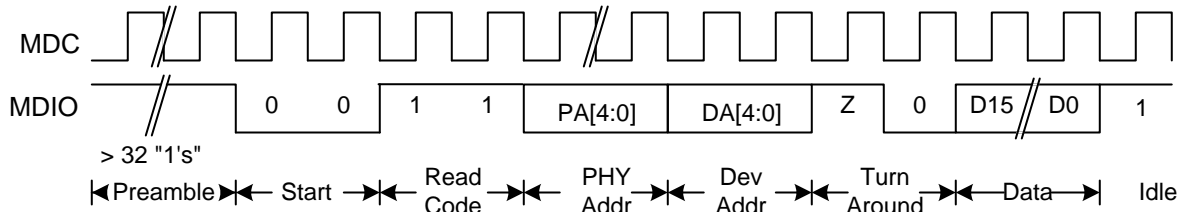


Figure 7-21. CL45 - Management Interface Extended Space Read Timing

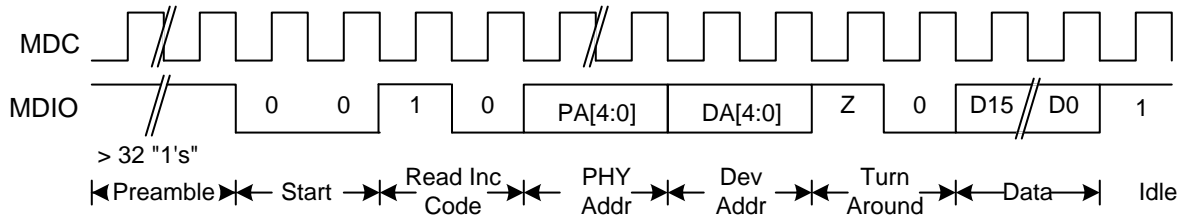


Figure 7-22. CL45 - Management Interface Extended Space Read And Increment Timing

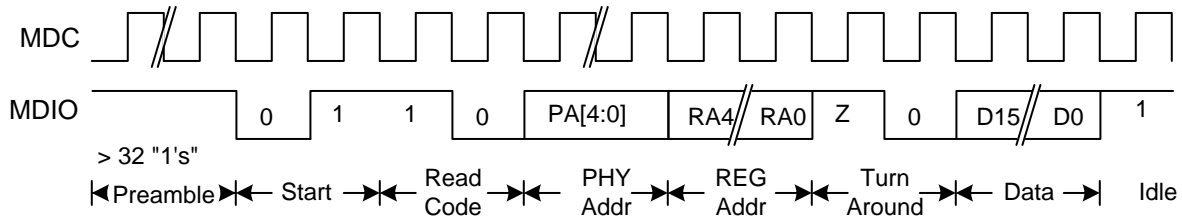


Figure 7-23. CL22 - Management Interface Read Timing

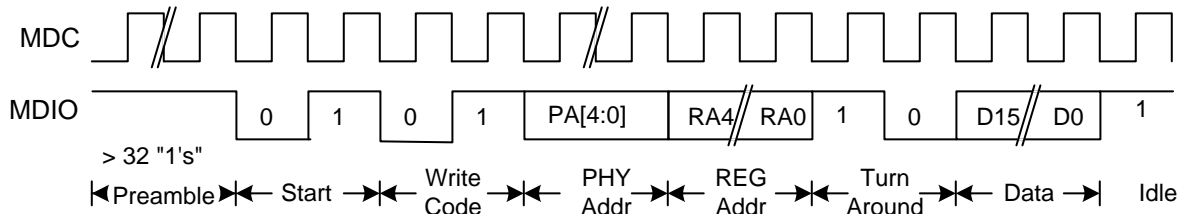


Figure 7-24. CL22 - Management Interface Write Timing

The IEEE 802.3 Clause 22/45 specification defines many of the registers, and additional registers have been implemented for expanded functionality.

### 7.4.19 Clause 22 Indirect Addressing

Due to Clause 22 register space limitations, an indirect addressing method is implemented so that the extended register space can be accessed through Clause 22. All the device specific control and status registers that cannot be accessed through Clause 22 direct addressing can be accessed through this indirect addressing method. To access this register space, an address control register (Reg 30, 5'h1E) should be written with the register address followed by a read/write transaction to address content register (Reg 31, 5'h1F) to access the contents of the address specified in address control register. Following timing diagrams illustrate an example write transaction to Register 16'h9000 using indirect addressing in Clause 22.

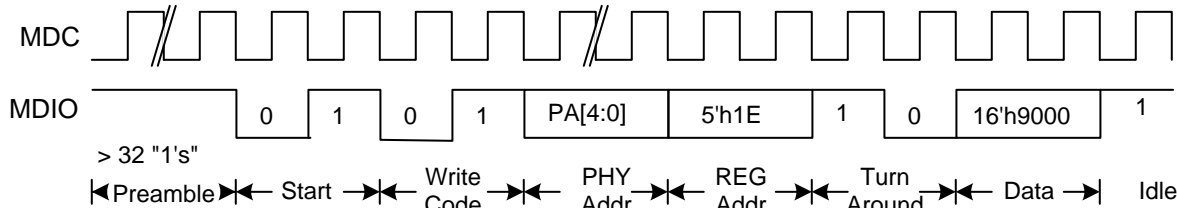


Figure 7-25. CL22 – Indirect Address Method – Address Write

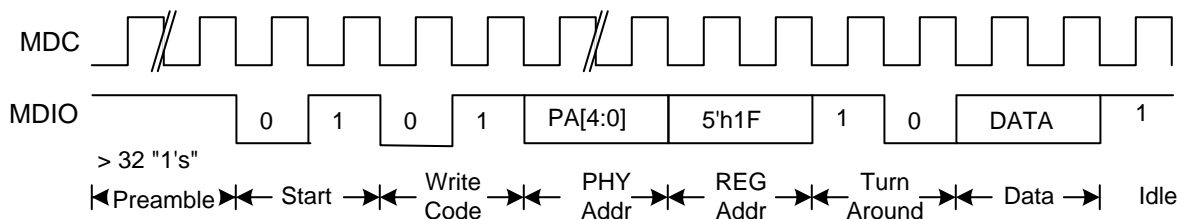


Figure 7-26. CL22 - Indirect Address Method – Data Write

Following timing diagrams illustrate an example read transaction to read contents of Register 16'h9000 using indirect addressing in Clause 22.

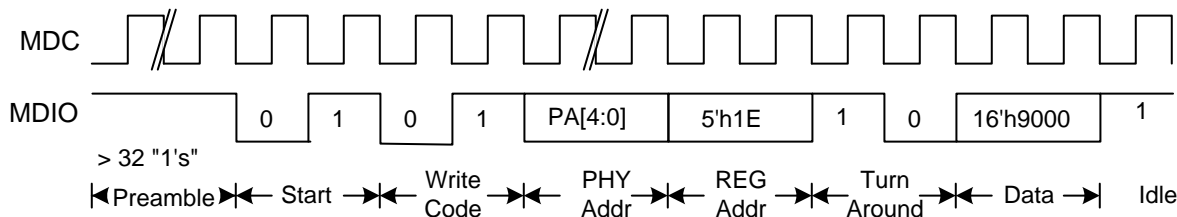


Figure 7-27. CL22 - Indirect Address Method – Address Write

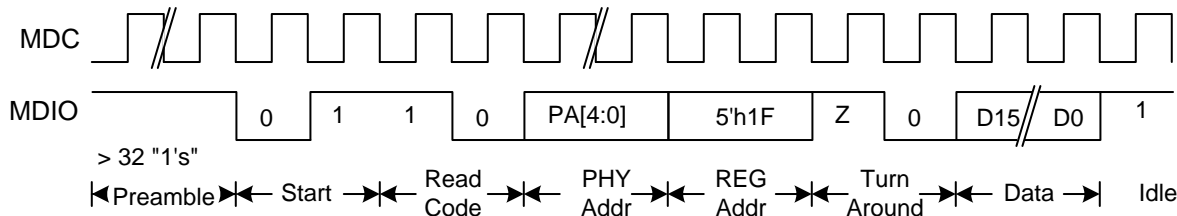
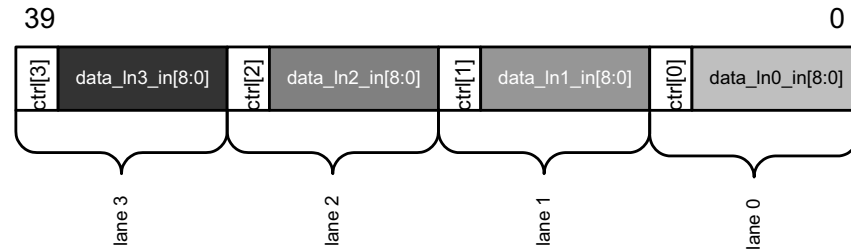


Figure 7-28. CL22 - Indirect Address Method – Data Read

#### 7.4.20 Provisionable XAUI Clock Tolerance Compensation

The XAUI interface is defined to allow for separate clock domains on each side of the link. Though the reference clocks for two devices on a XAUI/KR link have the same specified frequencies, there are slight differences that, if not compensated for, will lead to over or under run of the FIFOs on the receive/transmit data paths.

The XAUI CTC block performs the clock domain transition and rate compensation by utilizing a FIFO that is 32 deep and 40-bits wide. The usable FIFO size in the RX and TX directions is dependent upon the RX\_FIFO\_DEPTH and TX\_FIFO\_DEPTH MDIO fields, respectively. The word format is illustrated in Figure 7-29.



**Figure 7-29. XAUI CTC FIFO Word Format**

The XAUI CTC performs one of the following operations to compensate the clock rate difference:

1. Delete Idle column from the data stream
2. Delete Sequence column from the data stream (enabled via MDIO)
3. Insert Idle column to the data stream.

The following rules apply for insertion/removal:

- Idle insertion/deletion occurs in groups of 4 idle characters (i.e., in columns)
- Idle characters are added following Idle or Sequence ordered\_set
- Idle characters are not added while data is being received
- When deleting Idle characters, minimum IPG of 5 characters is maintained. /T/ characters are counted towards IPG.
- The first Idle column after /T/ is never deleted
- Sequence ordered\_sets are deleted only when two consecutive Sequence columns are received. In this case, only one of the two Sequence columns will be deleted.

#### 7.4.20.1 Insertion:

When the FIFO fill level is **at or below LOW watermark (insertion is triggered)**, the XAUI CTC needs to insert an IDLE column. It does so by skipping a read from the FIFO and inserting IDLE column to the data stream. It continues the insertion until the FIFO fill level is above the mid point. This occurs on the read side of the FIFO.

#### 7.4.20.2 Removal:

When the FIFO fill level is **at or above HIGH watermark (deletion is triggered)**, the XAUI CTC needs to remove an IDLE column. It does so by skipping a write to the FIFO and discarding the IDLE column or Sequence ordered\_set. It continues the deletion until the FIFO fill level is below the mid point. This occurs on the write side of the FIFO.

On the write side of the XAUI CTC FIFO a 40-bit write is performed at every cycle of the 312.5 MHz clock except during removal when it discards the IDLE or sequence ordered\_set. On the read side of the XAUI CTC FIFO a 40-bit read is performed at every cycle of the 312.5 MHz clock except during insertion when it generates IDLE columns to the output while not reading the FIFO at all.

In IEEE 802.3-2008 the XAUI clock rate tolerance is given as 3.125 GHz  $\pm$  100 ppm, the XGMII clock rate tolerance is given as 156.25 MHz  $\pm$  0.02% (which is equivalent to 200ppm), and the Jumbo packet size is 9600 bytes which is equivalent to 2400 cycles of 312.5 MHz clock. The average inter-frame gap is 12 bytes (3 columns), which implies that there is one opportunity to insert/delete a column in between every packet on average. This gives one column deletion/insertion in every 2400 columns which results in a 400 ppm tolerance capability. If the IPG increases, then more clock rate variance or larger packet size can be supported. Note that the maximum frequency tolerance is limited by the frequency accuracy requirement of the reference clock.



The number of words in the FIFO (fifo\_depth[2:0]) and the HIGH/LOW watermark levels (wmk\_sel[1:0]) are set through MDIO register 01.8001, and determine the allowable difference between the write clock and the read clock as well as the maximum packet size that can be processed without FIFO collision. At these watermarks the drop and insert start respectively and must happen before it hits overflow/underflow condition. Although the FIFO is supposed to never overflow/underflow given the average IPG, if it ever happens the overflow/underflow indications signal the error to the MDIO interface and the FIFO is reset. Note that the overflow/underflow status indications are latched high and cleared when read.

Table 7-11 shows XAUI CTC FIFO configuration and capabilities:

**Table 7-11. XAUI CTC FIFO Configurations**

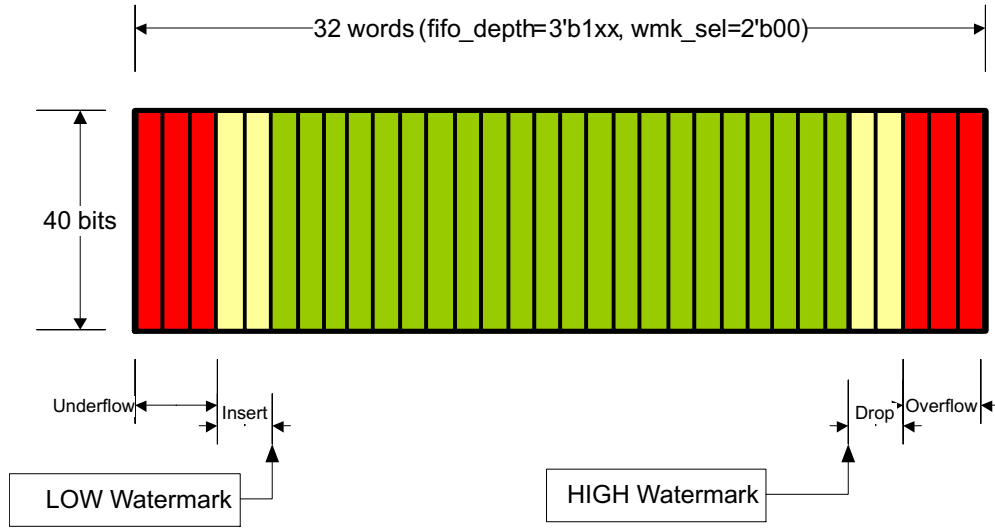
fifo_depth[2:0]	FIFO Depth	wmk_sel[1:0]	LOW Watermark	HIGH Watermark	Max Latency (Cycles)	Nom Latency (Cycles)	Min Latency (Cycles)	Max pkt size (400ppm)	Max pkt size (200ppm)	Max pkt size (100ppm)	Max pkt size (50ppm)	Min #of removable columns in IPG to support the max pkt size	
1xx	32	11	15	18	28	16	4	100KB	200KB	400KB	800KB	10	default
		10	13	20	28	16	4	80KB	160KB	320KB	640KB	8	
		01	10	23	28	16	4	50KB	100KB	200KB	400KB	5	
		00	6	27	28	16	4	10KB	20KB	40KB	80KB	1	
011	24	11	11	14	20	12	4	60KB	120KB	240KB	480KB	6	
		10	9	16	20	12	4	40KB	80KB	160KB	320KB	4	
		0x	6	19	20	12	4	10KB	20KB	40KB	80KB	1	
010	16	1x	7	10	13	8	3	30KB	60KB	120KB	240KB	3	
		0x	5	12	13	8	3	10KB	20KB	40KB	80KB	1	
001	12	xx	5	8	9	6	3	10KB	20KB	40KB	80KB	1	
000	8	Plain FIFO, No CTC			7	4	1	No limit on pkt size (needs 0 ppm to work)					

**NOTE**

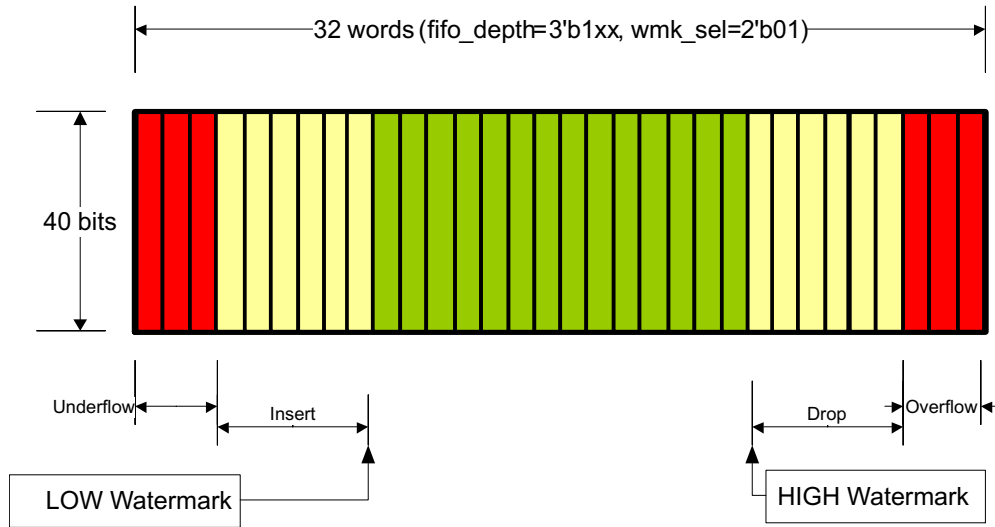
To support the max packet sizes as shown in Table 7-11, it is assumed that there are enough IDLE columns in IPG for deletion. Below is one example:

Configure the FIFO to be 32-deep (fifo\_depth[2:0] = 3'b1xx) and set the LOW/HIGH Watermarks to 10/23 (wmk\_sel[1:0] = 2'b01). If the write clock is faster than the read clock by 200ppm, to support the max packet size of 100KB, a minimum of 5 removable columns in IPG is required (either IDLE columns or Sequence ordered\_sets). If there are only 4 removable columns in IPG, the max packet size supported is dropped to 80KB. If there are only 3 removable columns in IPG, the max packet size supported is dropped to 60KB, and so on. As a rule of thumb, one removable column in IPG corresponds to 10KB at 400ppm, 20KB at 200ppm, 40KB at 100ppm, and 80KB at 50ppm

Figure 7-30 through Figure 7-40 illustrate XAUI CTC FIFO configuration and capabilities. The green region (the middle of the FIFO fill level) indicates that the FIFO is operating stability without insertion or deletion. The more green bars in the figure, the more clock wander it can tolerate. The more yellow bars in the figure, the bigger packet size it can support.



**Figure 7-30. Organization of the XAUI CTC FIFO (32-Deep, Low Watermark)**



**Figure 7-31. Organization of the XAUI CTC FIFO (32-Deep, Mid Watermark)**

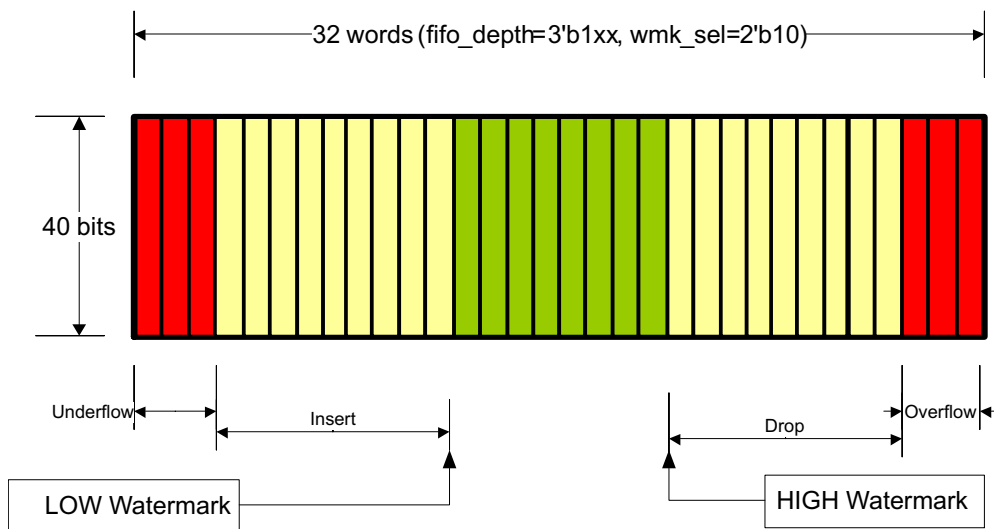


Figure 7-32. Organization of the XAUI CTC FIFO (32-Deep, Mid-High Watermark)

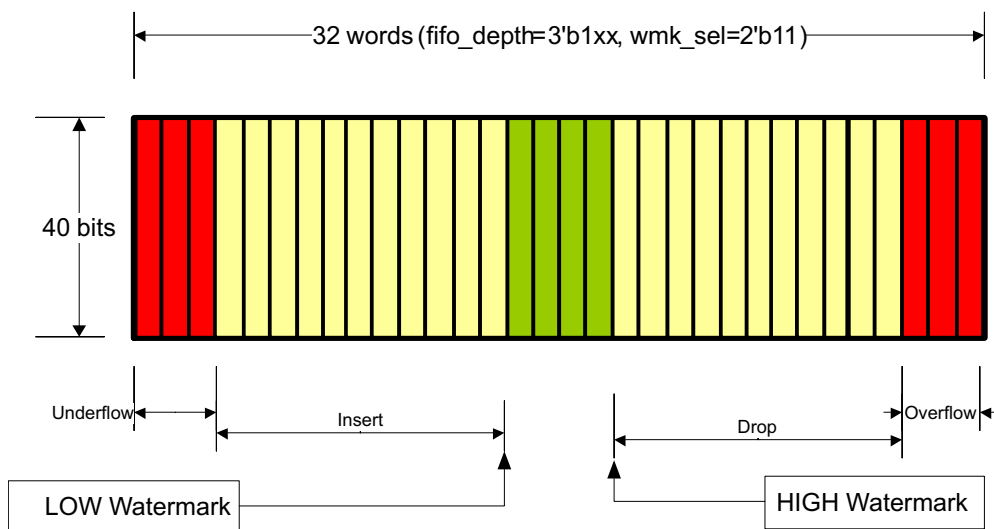
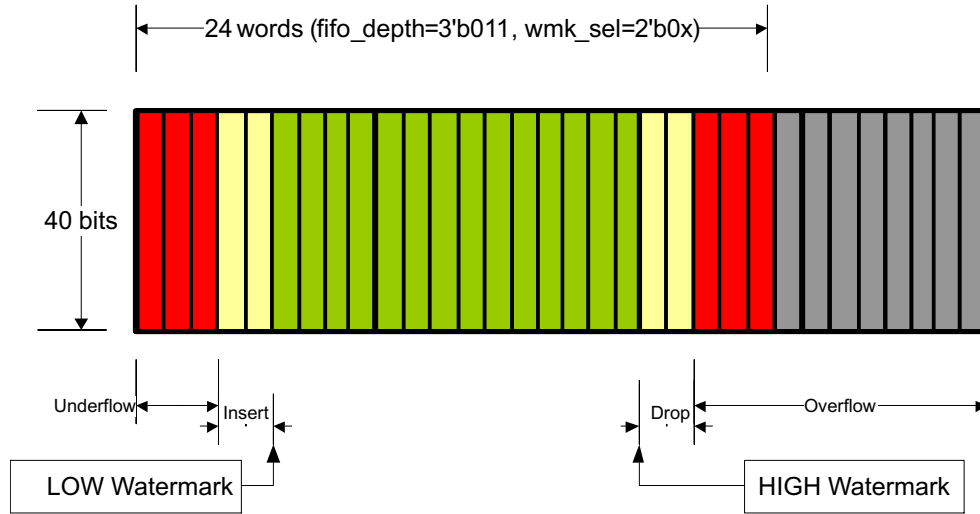
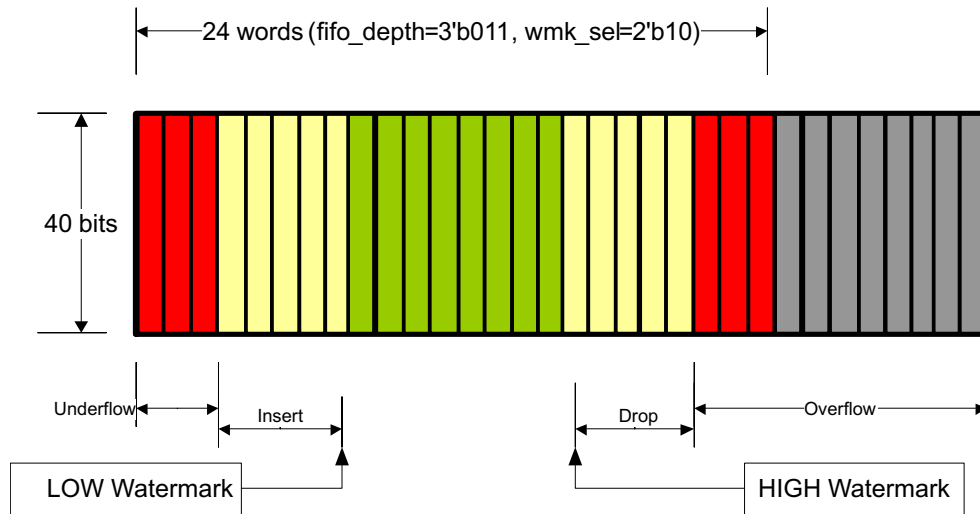


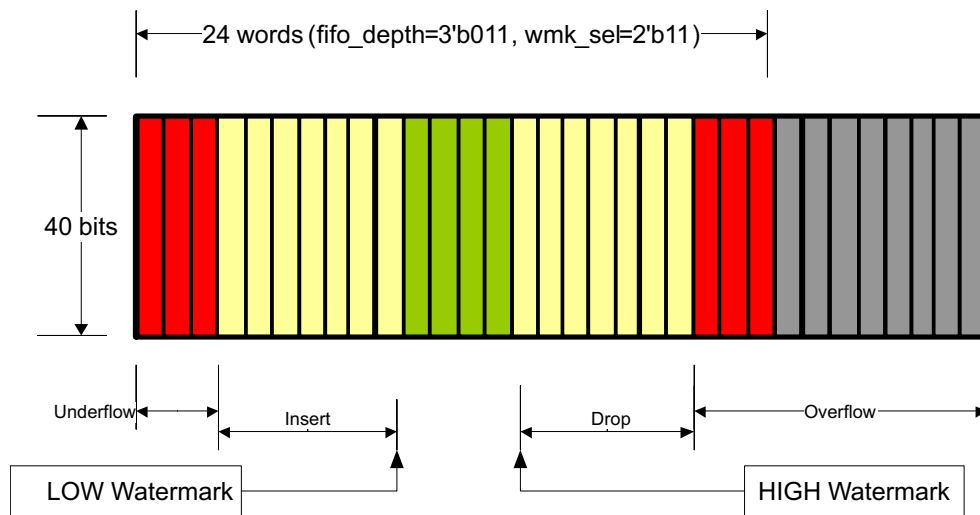
Figure 7-33. Organization of the XAUI CTC FIFO (32-Deep, High Watermark)



**Figure 7-34. Organization of the XAUI CTC FIFO (24-Deep, Low Watermark)**



**Figure 7-35. Organization of the XAUI CTC FIFO (24-Deep, Mid Watermark)**



**Figure 7-36. Organization of the XAUI CTC FIFO (24-Deep, High Watermark)**

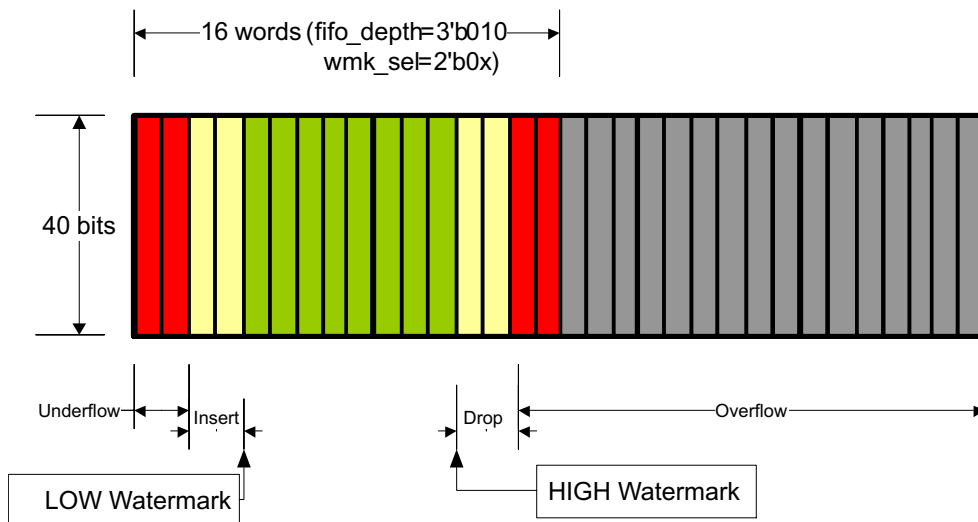


Figure 7-37. Organization of the XAUI CTC FIFO (16-Deep, Low Watermark)

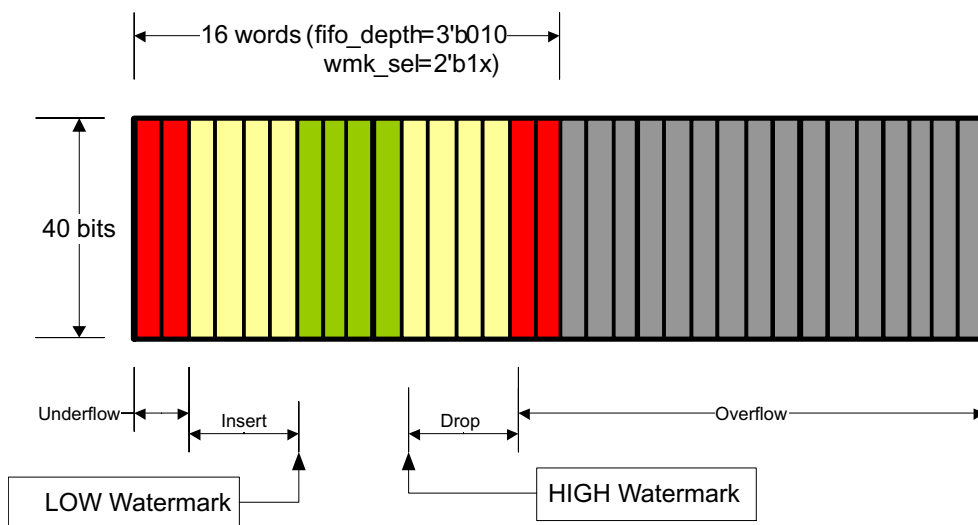
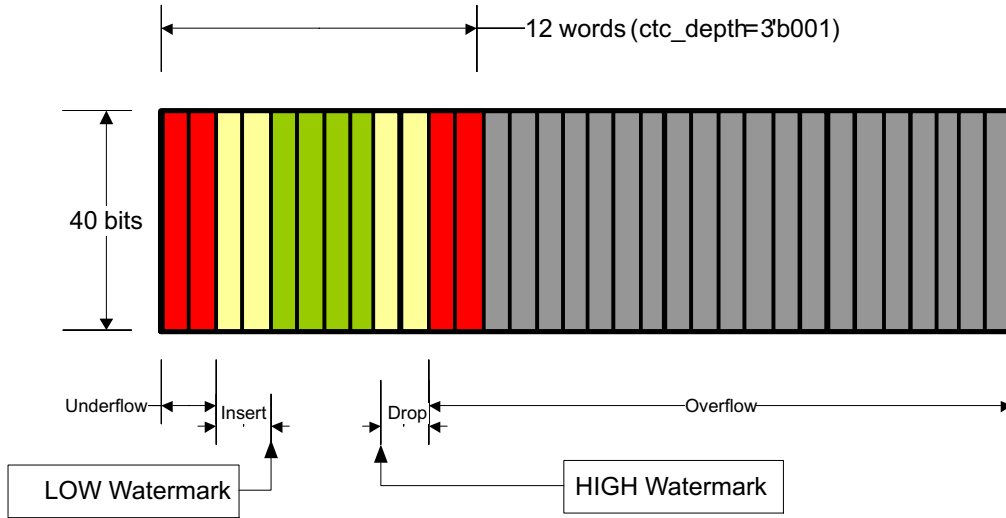
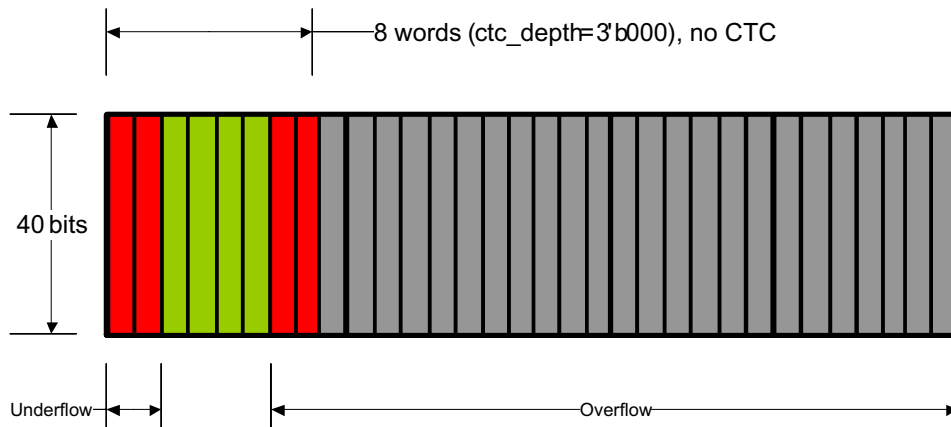


Figure 7-38. Organization of the XAUI CTC FIFO (16-Deep, High Watermark)



**Figure 7-39. Organization of the XAUI CTC FIFO (12-Deep)**



**Figure 7-40. Organization of the XAUI CTC FIFO (8-Deep)**

## 7.5 Register Maps

### 7.5.1 Register Bit Definitions

#### 7.5.1.1 RW: Read-Write

User can write 0 or 1 to this register bit. Reading this register bit returns the same value that has been written.

#### 7.5.1.2 RW/SC: Read-Write Self-Clearing

User can write 0 or 1 to this register bit. Writing a "1" to this register creates a high pulse. Reading this register bit always returns 0.

#### 7.5.1.3 RO: Read-Only

This register can only be read. Writing to this register bit has no effect. Reading from this register bit returns its current value.

#### 7.5.1.4 RO/LH: Read-Only Latched High

This register can only be read. Writing to this register bit has no effect. Reading a "1" from this register bit indicates that either the condition is occurring or it has occurred since the last time it was read. Reading a "0" from this register bit indicates that the condition is not occurring presently, and it has not occurred since the last time the register was read. A latched high register, when read high, should be read again to distinguish if a condition occurred previously or is still occurring. If it occurred previously, the second read will read low. If it is still occurring, the second read will read high. Reading this register bit automatically resets its value to 0.

#### 7.5.1.5 RO/LL: Read-Only Latched Low

This register can only be read. Writing to this register bit has no effect. Reading a "0" from this register bit indicates that either the condition is occurring or it has occurred since the last time it was read. Reading a "1" from this register bit indicates that the condition is not occurring presently, and it has not occurred since the last time the register was read. A latched low register, when read low, should be read again to distinguish if a condition occurred previously or is still occurring. If it occurred previously, the second read will read high. If it is still occurring, the second read will read low. Reading this register bit automatically sets its value to 1.

#### 7.5.1.6 COR: Clear-On-Read

This register can only be read. Writing to this register bit has no effect. Reading from this register bit returns its current value, then resets its value to 0. Counter value freezes at Max.

Following code letters in Name field of each control/status register bit(s) indicate the mode that they are applicable/valid.

R = Indicates control/status bit(s) valid in 10GKR mode

X = Indicates control/status bit(s) valid in 1GKX mode

G = Indicates control/status bit(s) valid in 10G general purpose serdes mode

### 7.5.2 Vendor Specific Device Registers

Below registers can be accessed directly through Clause 22 and Clause 45. In Clause 45 mode, these registers can be accessed by setting device address field to 0x1E (DA[4:0] = 5'b11110). In Clause 22 mode, these registers can be accessed by setting 5 bit register address field to same value as 5 LSB bits of Register Address field specified for each register. For example, 16 bit register address 0x001C in clause 45 mode can be accessed by setting register address field to 5'h1C in clause 22 mode.

### 7.5.2.1 GLOBAL\_CONTROL\_1 (register: 0x0000) (default: 0x0610) (device address: 0x1E)

**Figure 7-41. GLOBAL\_CONTROL\_1 Register**

15		14		13		12		11		10		9		8	
GLOBAL_RESET (RXG)		PRTAD0_PIN_EN_SEL[2:0] (RXG)				RESERVED		RESERVED							
R/W		R/W				R/W		R/W							
7		6		5		4		3		2		1		0	
RESERVED		RESERVED		PRTAD0_PIN_EN (RXG)		PRBS_PASS_OVERLAY[4:0] (RXG)									
R/W		R/W		R/W											

LEGEND: R/W = Read/Write; R = Read only; -n = value after reset

**Table 7-12. GLOBAL\_CONTROL\_1 Field Description**

Bit	Field	Type	Reset	Description
15	GLOBAL_RESET (RXG)	R/W		<sup>(1)</sup> Global reset. 0 = Normal operation (Default 1'b0) 1 = Resets TX and RX data path including MDIO registers. Equivalent to asserting RESET_N.
14:12	PRTAD0_PIN_EN_SEL[2:0] (RXG)	R/W		PRTAD0 pin selection control. Valid only when 1E.0000 bit 5 is 1. PRTAD0 is used for the assignment specified below 000 = Stopwatch (Default 3'b000) 001 = Reserved 010 = Tx data switch 011 = Rx data switch 100 = Reserved 101 = Reserved 11x = Reserved
11	Reserved (RXG)			Reserved For TI use only. Always reads 0.
10:7	RESERVED	R/W		For TI use only (Default 5'b1100)
6	RESERVED	R/W		For TI use only. Always reads 0.
5	PRTAD0_PIN_EN (RXG)	R/W		PRTAD0 pin enable control. 0 = Input pin (PRTAD0) is used for the assignment specified in 1E.0000 bits 14:12 (Default 1'b0) 1 = Input pin (PRTAD0) is not used for the assignment specified in 1E.0000 bits 14:12
4:0	PRBS_PASS_OVERLAY[4:0] (RXG)	R/W		PRBS_PASS pin status selection. Applicable only when PRBS test pattern verification is enabled on HS side or LS side. PRBS_PASS pin reflects PRBS verification status on HS/LS side. LS Serdes lanes 1/2/3 are not applicable in 1GKX modes. 1xx00 = PRBS_PASS reflects HS serdes PRBS verification. If PRBS verification fails on HS serdes, PRBS_PASS will be asserted low. (Default 5'b10000) 00000 = Status from HS Serdes side 00001 = Reserved 000x1 = Reserved 00100 = Status from LS Serdes side Lane 0 00101 = Status from LS Serdes side Lane 1 00110 = Status from LS Serdes side Lane 2 00111 = Status from LS Serdes side Lane 3 01000 = Reserved 01001 = Reserved 0101x = Reserved 01100 = Reserved 01101 = Reserved 01110 = Reserved 01111 = Reserved

(1) After reset bit is set to one, it automatically sets itself back to zero on the next MDC clock cycle.



**7.5.2.2 CHANNEL\_CONTROL\_1 (register: 0x0001) (default: 0x0B00) (device address: 0x1E)<sup>(1)</sup>**

(1) This global register is channel independent.

**Figure 7-42. CHANNEL\_CONTROL\_1 Register**

15	14	13	12	11	10	9	8
POWERDOWN (RXG)	LT_TRAINING_CONTROL (XG)	10G_RX_MODE_SEL (G)	10G_TX_MODE_SEL (G)	SW_PCS_SEL (RX)	SW_DEV_MODE_SEL (RXG)	10G_RX_DEMUX_SEL (G)	10G_TX_MUX_SEL (G)
R/W	R/W	R/W	R/W	R/W	R/W	R/W	R/W
7	6	5	4	3	2	1	0
RESERVED						REFCLK_SW_SEL (RXG)	LS_REFCLK_SEL (RXG)
R						R/W	R/W

LEGEND: R/W = Read/Write; R = Read only; -n = value after reset

**Table 7-13. CHANNEL\_CONTROL\_1 Field Description**

Bit	Field	Type	Reset	Description
15	POWERDOWN (RXG)	R/W		Setting this bit high powers down entire data path with exception that MDIO interface stays active. 0 = Normal operation (Default 1'b0) 1 = Power Down mode is enabled.
14	LT_TRAINING_CONTROL (XG)	R/W		Link training control. Valid in 10G and 1GKX modes only. 0 = Link training disabled(Default 1'b0) 1 = Link training enable control dependent on LT_TRAINING_ENABLE (1E.0036 bit 1).
13	10G_RX_MODE_SEL (G)	R/W		RX mode selection. Valid in 10G only. 0 = RX mode dependent upon RX_DEMUX_SEL(Default 1'b0) 1 = Enables 1 to 1 mode on receive channel.
12	10G_TX_MODE_SEL (G)	R/W		TX mode selection Valid in 10G only. 1 = TX mode dependent upon TX_MUX_SEL (Default 1'b0) 0 = Enables 1 to 1 mode on transmit channel.
11	SW_PCS_SEL (RX)	R/W		Applicable in Clause 45 mode only. Valid only when MODE_SEL pin is 0, AN_ENABLE (07.0000 bit 12) is 0 and SW_DEV_MODE_SEL (1E.0001 bit 10) is 0. 0 = Set device to 10G-KR mode(Default 1'b1) 1 = Set device to 1G-KX mode
10	SW_DEV_MODE_SEL (RXG)	R/W		Valid only when MODE_SEL pin is 0 0 = Device set to 10G mode 1 = In clause 45 mode, device mode is set using Auto negotiation. In clause 22 mode, device set to 1G-KX mode(Default 1'b0)
9	10G_RX_DEMUX_SEL (G)	R/W		RX De-Mux selection control for lane de-serialization on receive channel. Valid in 10G and when 10G_RX_MODE_SEL (1E.0001 bit 13) is LOW 0 = 1 to 2 1 = 1 to 4 (Default 1'b1)
8	10G_TX_MUX_SEL (G)	R/W		TX Mux selection control for lane serialization on transmit channel. Valid in 10G and when 10G_TX_MODE_SEL (1E.0001 bit 12) is LOW 1 = 2 to 1 0 = 4 to 1 (Default 1'b1)
7:2	RESERVED	R/O		For TI use only
1	REFCLK_SW_SEL (RXG)	R/W		HS Reference clock selection. 1 = Selects REFCLK_0_P/N as clock reference to HS side serdes macro(Default 1'b0) 0 = Selects REFCLK_1_P/N as clock reference to HS side serdes macro
0	LS_REFCLK_SEL (RXG)	R/W		LS Reference clock selection. 0 = LS side serdes macro reference clock is same as HS side serdes reference clock (E.g. If REFCLK_0_P/N is selected as HS side serdes macro reference clock, REFCLK_0_P/N is selected as LS side serdes macro reference clock and vice versa) (Default 1'b0) 1 = Alternate reference clock is selected as clock reference to LS side serdes macro (E.g. If REFCLK_0_P/N is selected as HS side serdes macro reference clock, REFCLK_1_P/N is selected as LS side serdes macro reference clock and vice versa)

**7.5.2.3 HS\_SERDES\_CONTROL\_1 (register: 0x0002 ) (default: 0x831D) (device address: 0x1E)**

**Figure 7-43. HS\_SERDES\_CONTROL\_1 Register**

15		14		13		12		11		10		9		8	
RESERVED												HS_LOOP_BANDWIDTH[1:0] (RXG)			
R/W												R/W			
7		6		5		4		3		2		1		0	
RESERVED		HS_VRANGE (RXG)		RESERVED		HS_ENPLL (RXG)		HS_PLL_MULT[3:0] (RXG)							
R/W		R/W		R/W		R/W		R/W							

LEGEND: R/W = Read/Write; R = Read only; -n = value after reset

**Table 7-14. HS\_SERDES\_CONTROL\_1 Field Description**

Bit	Field	Type	Reset	Description
15:10				For TI use only (Default 6'b100000)
9:8	HS_LOOP_BANDWIDTH[1:0] (RXG)	R/W		HS Serdes PLL Loop Bandwidth settings 00 = Medium Bandwidth 01 = Low Bandwidth 10 = High Bandwidth 11 = Ultra High Bandwidth. (Default 2'b11)
7	RESERVED	R/W		For TI use only (Default 1'b0)
6	HS_VRANGE (RXG)	R/W		HS Serdes PLL VCO range selection. 0 = VCO runs at higher end of frequency range (Default 1'b0) 1 = VCO runs at lower end of frequency range This bit needs to be set HIGH if VCO frequency (REFCLK *HS_PLL_MULT) is below 2.5 GHz.
5	RESERVED	R/W		For TI use only (Default 1'b0)
4	HS_ENPLL (RXG)	R/W		HS Serdes PLL enable control. HS Serdes PLL is automatically disabled when PD_TRXx_N is asserted LOW or when register bit 1E.0001 bit 15 is set HIGH. 0 = Disables PLL in HS serdes 1 = Enables PLL in HS serdes (Default 1'b1)
3:0	HS_PLL_MULT[3:0] (RXG)	R/W		HS Serdes PLL multiplier setting (Default 4'b1101). Refer : <a href="#">Table 7-15</a> HS PLL multiplier control

**Table 7-15. HS PLL Multiplier Control**

HS_PLL_MULT[3:0]		HS_PLL_MULT[3:0]	
Value	PLL Multiplier factor	Value	PLL Multiplier factor
0000	Reserved	1000	12x
0001	Reserved	1001	12.5x
0010	4x	1010	15x
0011	5x	1011	16x
0100	6x	1100	16.5x
0101	8x	1101	20x
0110	8.25x	1110	25x
0111	10x	1111	Reserved

**7.5.2.4 HS\_SERDES\_CONTROL\_2 (register: 0x0003) (default: 0xA848) (device address: 0x1E)**
**Figure 7-44. HS\_SERDES\_CONTROL\_2 Register**

15	14	13	12	11	10	9	8
HS_SWING[3:0] (RXG)				HS_ENTX (RXG)	HS_EQHLD (RXG)	HS_RATE_TX [1:0] (RXG)	
R/W				R/W	R/W	R/W	
7	6	5	4	3	2	1	0
HS_AGCCTRL[1:0] (RXG)		HS_AZCAL[1:0] (RXG)		HS_ENRX (RXG)	HS_RATE_RX [2:0] (RXG)		
R/W		R/W		R/W	R/W		

LEGEND: R/W = Read/Write; R = Read only; -n = value after reset

**Table 7-16. HS\_SERDES\_CONTROL\_2 Field Description**

Bit	Field	Type	Reset	Description
15:12	HS_SWING[3:0] (RXG)	R/W		Transmitter Output swing control for HS Serdes. (Default 4'b1010) Refer <a href="#">Table 7-17</a> .
11	HS_ENTX (RXG)	R/W		HS Serdes transmitter enable control. HS Serdes transmitter is automatically disabled when PD_TRXx_N is asserted LOW or when register bit 1E.0001 bit 15 is set HIGH. 0 = Disables HS serdes transmitter 1 = Enables HS serdes transmitter (Default 1'b1)
10	HS_EQHLD (RXG)	R/W		HSRX Equalizer hold control. 0 = Normal operation (Default 1'b0) 1 = Holds equalizer and long tail correction in its current state
9:8	HS_RATE_TX [1:0] (RXG)	R/W		HS Serdes TX rate settings. 00 = Full rate (Default 2'b00) 01 = Half rate 10 = Quarter rate 11 = Eighth rate
7:6	HS_AGCCTRL[1:0] (RXG)	R/W		Adaptive gain control loop. 00 = Attenuator will not change after lock has been achieved, even if AGC becomes unlocked 01 = Attenuator will not change when in lock state, but could change when AGC becomes unlocked (Default 2'b01) 10 = Force the attenuator off 11 = Force the attenuator on
5:4	HS_AZCAL[1:0] (RXG)	R/W		Auto zero calibration. 00 = Auto zero calibration initiated when receiver is enabled (Default 2'b00) 01 = Auto zero calibration disabled 10 = Forced with automatic update. 11 = Forced without automatic update
3	HS_ENRX (RXG)	R/W		HS Serdes receiver enable control. HS Serdes receiver is automatically disabled when PD_TRXx_N is asserted LOW or when register bit 1E.0001 bit 15 is set HIGH. 0 = Disables HS serdes receiver 1 = Enables HS serdes receiver (Default 1'b1)
2:0	HS_RATE_RX [2:0] (RXG)	R/W		HS Serdes RX rate settings. This setting is automatically controlled and value set through these register bits is ignored unless REFCLK_FREQ_SEL_1 or related OVERRIDE bit is set. 000 = Full rate (Default 3'b000) 001 = Half rate 110 = Quarter rate 111 = Eighth rate 001 = Reserved 01x = Reserved 100 = Reserved

**Table 7-17. HSTX AC Mode Output Swing Control**

HS_SWING[3:0]	AC MODE
	TYPICAL AMPLITUDE (mVdfpp)
0000	130
0001	220
0010	300
0011	390
0100	480
0101	570
0110	660
0111	750
1000	830
1001	930
1010	1020
1011	1110
1100	1180
1101	1270
1110	1340
1111	1400

**7.5.2.5 HS\_SERDES\_CONTROL\_3 (register: 0x0004) (default: 0x1500) (device address: 0x1E)**

**Figure 7-45. HS\_SERDES\_CONTROL\_3 Register**

15	14	13	12	11	10	9	8
HS_ENTRACK (RXG)	HS_EQPRE[2:0] (RXG)		HS_CDRMULT[1:0] (RXG)		HS_CDRTHR[1:0] (RXG)		
R/W	R/W		R/W		R/W		
7	6	5	4	3	2	1	0
RESERVED	HS_PEAK_DISABLE (RXG)	HS_H1CDRMODE (RXG)	HS_TWCRF[4:0] (RXG)				
R/W	R/W	R/W	R/W				

LEGEND: R/W = Read/Write; R = Read only; -n = value after reset

**Table 7-18. HS\_SERDES\_CONTROL\_3 Field Description**

Bit	Field	Type	Reset	Description
15	HS_ENTRACK (RXG)	R/W		HSRX ADC Track mode. 0 = Normal operation (Default 1'b0) 1 = Forces ADC into track mode
14:12	HS_EQPRE[2:0] (RXG)	R/W		Serdes Rx precursor equalizer selection 000 = 1/9 cursor amplitude 001 = 3/9 cursor amplitude (Default 3'b001) 010 = 5/9 cursor amplitude 011 = 7/9 cursor amplitude 100 = 9/9 cursor amplitude 101 = 11/9 cursor amplitude 110 = 13/9 cursor amplitude 111 = Disable
11:10	HS_CDRMULT[1:0] (RXG)	R/W		Clock data recovery algorithm frequency multiplication selection (Default 2'b01) 00 = First order. Frequency offset tracking disabled 01 = Second order. 1x mode 10 = Second order. 2x mode 11 = Reserved
9:8	HS_CDRTHR[1:0] (RXG)	R/W		Clock data recovery algorithm threshold selection (Default 2'b01) 00 = Four vote threshold 01 = Eight vote threshold 10 = Sixteen vote threshold 11 = Thirty two vote threshold

**Table 7-18. HS\_SERDES\_CONTROL\_3 Field Description (continued)**

Bit	Field	Type	Reset	Description
7	RESERVED	R/W		For TI use only (Default 1'b0)
6	HS_PEAK_DISABLE (RXG)	R/W		HS Serdes PEAK_DISABLE control 0 = Normal operation (Default 1'b0) 1 = Disables high frequency peaking. Suitable for <6 Gbps operation
5	HS_H1CDRMODE (RXG)	R/W		HS_Serdes H1CDRMODE control 0 = Normal operation (Default 1'b0) 1 = Enables CDR mode suitable for short channel operation.
4:0	HS_TWCRF[4:0] (RXG)	R/W		Cursor Reduction Factor (Default 5'b00000). Refer to <a href="#">Table 7-19</a>

**Table 7-19. HSTX Cursor Reduction Factor Weights**

HS_TWCRF[4:0]		HS_TWCRF[4:0]	
Value	Cursor reduction (%)	Value	Cursor reduction (%)
00000	0	10000	17
00001	2.5	10001	20
00010	5.0	10010	22
00011	7.5	10011	25
00100	10.0	10100	27
00101	12	10101	30
00110	15	10110	32
00111	Reserved	10111	35
01000		11000	37
01001		11001	40
01010		11010	42
01011		11011	45
01100		11100	47
01101		11101	50
01110		11110	52
01111		11111	55

### 7.5.2.6 HS\_SERDES\_CONTROL\_4 (register: 0x0005) (default: 0x2000) (device address: 0x1E)

**Figure 7-46. HS\_SERDES\_CONTROL\_4 Register**

15	14	13	12	11	10	9	8
HS_RX_INVPAIR (RXG)	HS_TX_INVPAIR (RXG)	RESERVED	HS_TWPOST1[4:0] (RXG)				
R/W	R/W	R/W	R/W				
7	6	5	4	3	2	1	0
HS_TWPRE[3:0] (RXG)				HS_TWPOST2[3:0] (RXG)			
R/W				R/W			

LEGEND: R/W = Read/Write; R = Read only; -n = value after reset

**Table 7-20. HS\_SERDES\_CONTROL\_4 Field Description**

Bit	Field	Type	Reset	Description
15	HS_RX_INVPAIR (RXG)	R/W		Receiver polarity. 0 = Normal polarity. HSRXxP considered positive data. HSRXxN considered negative data (Default 1'b0) 1 = Inverted polarity. HSRXxP considered negative data. HSRXxN considered positive data
14	HS_TX_INVPAIR (RXG)	R/W		Transmitter polarity. 0 = Normal polarity. HSTXxP considered positive data and HSTXxN considered negative data (Default 1'b0) 1 = Inverted polarity. HSTXxP considered negative data and HSTXxN considered positive data
13	RESERVED	R/W		For TI use only (Default 1'b1)
12:8	HS_TWPOST1[4:0] (RXG)	R/W		Adjacent post cursor1 Tap weight. Selects TAP settings for TX waveform. (Default 5'b00000 ) Refer <a href="#">Table 7-21</a> .
7:4	HS_TWPRE[3:0] (RXG)	R/W		Precursor Tap weight. Selects TAP settings for TX waveform. (Default 4'b0000) Refer <a href="#">Table 7-23</a> .
3:0	HS_TWPOST2[3:0] (RXG)	R/W		Adjacent post cursor2 Tap weight. Selects TAP settings for TX waveform. (Default 4'b0000) Refer <a href="#">Table 7-22</a> .

**Table 7-21. HSTX Post-Cursor1 Transmit Tap Weights**

HS_TWPOST1[4:0]		HS_TWPOST1[4:0]	
Value	Tap weight (%)	Value	Tap weight (%)
00000	0	10000	0
00001	+2.5	10001	-2.5
00010	+5.0	10010	-5.0
00011	+7.5	10011	-7.5
00100	+10.0	10100	-10.0
00101	+12.5	10101	-12.5
00110	+15.0	10110	-15.0
00111	+17.5	10111	-17.5
01000	+20.0	11000	-20.0
01001	+22.5	11001	-22.5
01010	+25.0	11010	-25.0
01011	+27.5	11011	-27.5
01100	+30.0	11100	-30.0
01101	+32.5	11101	-32.5
01110	+35.0	11110	-35.0
01111	+37.5	11111	-37.5

**Table 7-22. HSTX Post-Cursor2 Transmit Tap Weights**

HS_TWPOST2[3:0]		HS_TWPOST2[3:0]	
Value	Tap weight (%)	Value	Tap weight (%)
0000	0	1000	0
0001	+2.5	1001	-2.5
0010	+5.0	1010	-5.0
0011	+7.5	1011	-7.5
0100	+10.0	1100	-10.0
0101	+12.5	1101	-12.5
0110	+15.0	1110	-15.0
0111	+17.5	1111	-17.5

**Table 7-23. HSTX Pre-Cursor Transmit Tap Weights**

HS_TWPRE[3:0]		HS_TWPRE[3:0]	
Value	Tap weight (%)	Value	Tap weight (%)
0000	0	1000	0
0001	+2.5	1001	-2.5
0010	+5.0	1010	-5.0
0011	+7.5	1011	-7.5
0100	+10.0	1100	-10.0
0101	+12.5	1101	-12.5
0110	+15.0	1110	-15.0
0111	+17.5	1111	-17.5

**7.5.2.7 LS\_SERDES\_CONTROL\_1 (register: 0x0006) (default: 0xF115) (device address: 0x1E)**

**Figure 7-47. LS\_SERDES\_CONTROL\_1 Register**

15	14	13	12	11	10	9	8
LS_LN_CFG_EN[3:0] (RXG)			RESERVED		LS_LOOP_BANDWIDTH[1:0] (RXG)		
R/W			R/W		R/W		
7	6	5	4	3	2	1	0
RESERVED			LS_ENPLL (RXG)	LS_MPY[3:0] (RXG)			
R/W			R/W	R/W			

LEGEND: R/W = Read/Write; R = Read only; -n = value after reset

**Table 7-24. LS\_SERDES\_CONTROL\_1 Field Description**

Bit	Field	Type	Reset	Description
15:12	LS_LN_CFG_EN[3:0] (RXG)	R/W		Configuration control for LS Serdes Lane settings (Default 4'b1111) [3] corresponds to LN3, [2] corresponds to LN2 [1] corresponds to LN1, [0] corresponds to LN0 0 = Writes to LS_SERDES_CONTROL_2 and LS_SERDES_CONTROL_3 and LS_CH_CONTROL_1 control registers do not affect respective LS Serdes lane 1 = Writes to LS_SERDES_CONTROL_2 and LS_SERDES_CONTROL_3 and LS_CH_CONTROL_1 control registers affect respective LS Serdes lane For example, if subsequent writes to LS_SERDES_CONTROL_2 and LS_SERDES_CONTROL_3 and LS_CH_CONTROL_1 registers need to affect the settings in Lanes 0 and 1, LS_LN_CFG_EN[3:0] should be set to 4'b0011 Read values in LS_SERDES_CONTROL_2 and LS_SERDES_CONTROL_3 and LS_CH_CONTROL_1 reflect the settings value for Lane selected through LS_LN_CFG_EN[3:0]. To read Lane 0 settings, LS_LN_CFG_EN[3:0] should be set to 4'b0001 To read Lane 1 settings, LS_LN_CFG_EN[3:0] should be set to 4'b0010 To read Lane 2 settings, LS_LN_CFG_EN[3:0] should be set to 4'b0100 To read Lane 3 settings, LS_LN_CFG_EN[3:0] should be set to 4'b1000 Read values of LS_SERDES_CONTROL_2 and LS_SERDES_CONTROL_3 and LS_CH_CONTROL_1 registers are not valid for any other LS_LN_CFG_EN[3:0] combination
11:10	RESERVED	R/W		For TI use only (Default 2'b00)
9:8	LS_LOOP_BANDWIDTH[1:0] (RXG)	R/W		LS Serdes PLL Loop Bandwidth settings 00 = Reserved 01 = Applicable when external JC_PLL is NOT used (Default 2'b01) 10 = Applicable when external JC_PLL is used 11 = Reserved
7:5	RESERVED	R/W		For TI use only (Default 3'b000)
4	LS_ENPLL (RXG)	R/W		LS Serdes PLL enable control. LS Serdes PLL is automatically disabled when PD_TRXx_N is asserted LOW or when register bit 1E.0001 bit 15 is set HIGH. 0 = Disables PLL in LS serdes 1 = Enables PLL in LS serdes (Default 1'b1)
3:0	LS_MPY[3:0] (RXG)	R/W		LS Serdes PLL multiplier setting (Default 4'b0101). Refer 10GKR supported rates for valid PLL Multiplier values. Refer to <a href="#">Table 7-25</a> .

**Table 7-25. LS PLL Multiplier Control**

LS_MPY[3:0]		LS_MPY[3:0]	
Value	PLL Multiplier factor	Value	PLL Multiplier factor
0000	4x	1000	15x
0001	5x	1001	20x
0010	6x	1010	25x
0011	Reserved	1011	Reserved
0100	8x	1100	Reserved
0101	10x	1101	50x
0110	12x	1110	65x
0111	12.5x	1111	Reserved



**7.5.2.8 LS\_SERDES\_CONTROL\_2 (register: 0x0007) (default: 0xDC04) (device address: 0x1E)**
**Figure 7-48. LS\_SERDES\_CONTROL\_2 Register**

15	14	13	12	11	10	9	8
RESERVED	LS_SWING[2:0] (RXG)			LS_LOS (RXG)	LS_TX_ENRX (RXG)	LS_TX_RATE [1:0] (RXG)	
R/W	R/W			R/W	R/W	R/W	
7	6	5	4	3	2	1	0
LS_DE[3:0] (RXG)				RESERVED	LS_RX_ENTX (RXG)	LS_RX_RATE [1:0] (RXG)	
R/W				R/W	R/W	R/W	

LEGEND: R/W = Read/Write; R = Read only; -n = value after reset

**Table 7-26. LS\_SERDES\_CONTROL\_2 Field Description**

Bit	Field	Type	Reset	Description
15	RESERVED	R/W		For TI use only.
14:12	LS_SWING[2:0] (RXG)	R/W		Output swing control on LS Serdes side. (Default 3'b101) Refer to <a href="#">Table 7-27</a> .
11	LS_LOS (RXG)	R/W		LS Serdes LOS detector control 0 = Disable Loss of signal detection on LS serdes lane inputs 1 = Enable Loss of signal detection on LS serdes lane inputs (Default 1'b1)
10	LS_TX_ENRX (RXG)	R/W		LS Serdes enable control on the transmit channel. LS Serdes per lane on transmitter channel is automatically disabled when PD_TRXx_N is asserted LOW or when register bit 1E.0001 bit 15 is set HIGH. Lanes 3 and 2 are automatically disabled when in 2In 10G mode on transmit channel. Lanes 3, 2 and 1 are automatically disabled when in 1In 10G mode or 1G-KX mode on transmit channel. 0 = Disables LS serdes lane 1 = Enables LS serdes lane (Default 1'b1)
9:8	LS_TX_RATE [1:0] (RXG)	R/W		LS Serdes lane rate settings on transmit channel. 00 = Full rate (Default 2'b00) 01 = Half rate 10 = Quarter rate 11 = Reserved
7:4	LS_DE[3:0] (RXG)	R/W		LS Serdes De-emphasis settings. (Default 4'b0000) Refer to <a href="#">Table 7-28</a> .
3	RESERVED	R/W		For TI use only.
2	LS_RX_ENTX (RXG)	R/W		LS Serdes lane enable control on receive channel. LS Serdes per lane on receiver channel is automatically disabled when PD_TRXx_N is asserted LOW or when register bit 1E.0001 bit 15 is set HIGH. Lanes 3 and 2 are automatically disabled when in 2In 10G mode on receive channel. Lanes 3, 2 and 1 are automatically disabled when in 1In 10G or 1G-KX mode on receive channel. 0 = Disables LS serdes lane 1 = Enables LS serdes lane (Default 1'b1)
1:0	LS_RX_RATE [1:0] (RXG)	R/W		LS Serdes lane rate settings on receive channel. 00 = Full rate (Default 2'b00) 01 = Half rate 10 = Quarter rate 11 = Reserved

**Table 7-27. LSRX Output AC Mode Output Swing Control**

LS_SWING[2:0]	AC MODE
	TYPICAL AMPLITUDE (mVdftp)
000	190
001	380
010	560
011	710
100	850
101	950
110	1010
111	1050

**Table 7-28. LSRX Output De-emphasis**

LS_DE[3:0]			LS_DE[3:0]		
Value	Amplitude reduction		Value	Amplitude reduction	
	(%)	dB		(%)	dB
0000	0	0	1000	38.08	-4.16
0001	4.76	-0.42	1001	42.85	-4.86
0010	9.52	-0.87	1010	47.61	-5.61
0011	14.28	-1.34	1011	52.38	-6.44
0100	19.04	-1.83	1100	57.14	-7.35
0101	23.8	-2.36	1101	61.9	-8.38
0110	28.56	-2.92	1110	66.66	-9.54
0111	33.32	-3.52	1111	71.42	-10.87

**7.5.2.9 LS\_SERDES\_CONTROL\_3 (register: 0x0008) (default: 0x000D) (device address: 0x1E)**

**Figure 7-49. LS\_SERDES\_CONTROL\_3 Register**

15	14	13	12	11	10	9	8
LS_RX_INVPAIR (RXG)	LS_TX_INVPAIR (RXG)	RESERVED			LS_EQ[3:0] (RXG)		
R/W	R/W	R/W			R/W		
7	6	5	4	3	2	1	0
RESERVED							
R/W							

LEGEND: R/W = Read/Write; R = Read only; -n = value after reset

**Table 7-29. LS\_SERDES\_CONTROL\_3 Field Description**

Bit	Field	Type	Reset	Description
15	LS_RX_INVPAIR (RXG)	R/W		LS Serdes lane outputs polarity on the receive channel. (y = Lane 0 or 1 or 2 or 3) 0 = Normal polarity. OUTAyP considered positive data. OUTxyN considered negative data (Default 1'b0) 1 = Inverted polarity. OUTAyP considered negative data. OUTxyN considered positive data
14	LS_TX_INVPAIR (RXG)	R/W		LS Serdes lane inputs polarity on the transmit channel. (y = Lane 0 or 1 or 2 or 3) 0 = Normal polarity. INAyP considered positive data and INAyN considered negative data (Default 1'b0) 1 = Inverted polarity. INAyP considered negative data and INAyP considered positive data
13:12	RESERVED	R/W		For TI use only (Default 2'b00)
11:8	LS_EQ[3:0] (RXG)	R/W		LS Serdes Equalization control (Default 4'b0000). <a href="#">Table 7-30</a>
7:0	RESERVED	R/W		For TI use only (Default 8'b00001101)

**Table 7-30. LS\_EQ Serdes Equalization**

LS_EQ[3:0]			LS_EQ[3:0]		
Value	Low Freq Gain	Zero Freq	Value	Low Freq Gain	Zero Freq
0000	Maximum		1000	Adaptive	365 MHz
0001	Adaptive		1001		275 MHz
0010	Reserved		1010		195 MHz
0011			1011		140 MHz
0100			1100		105 MHz
0101			1101		75 MHz
0110			1110		55 MHz
0111			1111		50 MHz

**7.5.2.10 HS\_OVERLAY\_CONTROL (register: 0x0009) (default: 0x0380) (device address: 0x1E)**
**Figure 7-50. HS\_OVERLAY\_CONTROL Register**

15	14	13	12	11	10	9	8
LS_OK_OUT_GATE[1:0] (G)		LS_OK_IN_GATE[1:0] (G)		RESERVED			
R/W		R/W		R/W			
7	6	5	4	3	2	1	0
HS_LOS_MASK (G)	RESERVED	HS_CH_SYNC_OVERLAY (RXG)	HS_INVALID_CODE_OVERLAY (RXG)	HS_AGCLOCK_OVERLAY (RXG)	HS_AZDONE_OVERLAY (RXG)	HS_PLL_LOCK_OVERLAY (RXG)	HS_LOS_OVERLAY (RXG)
R/W	R/W	R/W	R/W	R/W	R/W	R/W	R/W

LEGEND: R/W = Read/Write; R = Read only; -n = value after reset

**Table 7-31. HS\_OVERLAY\_CONTROL Field Description**

Bit	Field	Type	Reset	Description
15:14	LS_OK_OUT_GATE[1:0] (G)	R/W	X0 01 11	LS_OK_OUT_A gating control Gating disabled (Default 2'b00) Gating enabled. LS_OK_OUT_A gated to LOW Gating enabled. LS_OK_OUT_A gated to HIGH
13:12	LS_OK_IN_GATE[1:0] (G)	R/W	X0 01 11	LS_OK_IN_A gating control Gating disabled (Default 2'b00) Gating enabled. LS_OK_IN_A gated to LOW Gating enabled. LS_OK_IN_A gated to HIGH
11:8	RESERVED	R/W		For TI use only. (Default 4'b0011)
7	HS_LOS_MASK (G)	R/W	0 1	HS Serdes LOS status is used to generate HS channel synchronization status. If HS Serdes indicates LOS, channel synchronization indicates synchronization is not achieved HS Serdes LOS status is not used to generate HS channel synchronization status (Default 1'b1)
6	RESERVED	R/W		For TI use only. Always reads 0.
5	HS_CH_SYNC_OVERLAY (RXG)	R/W	0 1	LOSA pin does not reflect receive channel loss of block lock (Default 1'b0) Allows channel loss of block lock to be reflected on LOSA pin
4	HS_INVALID_CODE_OVERLAY (RXG)	R/W	0 1	LOSA pin does not reflect receive channel invalid code word error (Default 1'b0) Allows invalid code word error to be reflected on LOSA pin
3	HS_AGCLOCK_OVERLAY (RXG)	R/W	0 1	0 = LOSA pin does not reflect HS Serdes AGC unlock status (Default 1'b0) Allows HS Serdes AGC unlock status to be reflected on LOSA pin
2	HS_AZDONE_OVERLAY (RXG)	R/W	0 1	LOSA pin does not reflect HS Serdes auto zero calibration not done status (Default 1'b0) Allows auto zero calibration not done status to be reflected on LOSA pin
1	HS_PLL_LOCK_OVERLAY (RXG)	R/W R/W	0 1	LOSA pin does not reflect loss of HS Serdes PLL lock status (Default 1'b0) Allows HS Serdes loss of PLL lock status to be reflected on LOSA pin
0	HS_LOS_OVERLAY (RXG)	R/W	0 1	LOSA pin does not reflect HS Serdes Loss of signal condition (Default 1'b0) Allows HS Serdes Loss of signal condition to be reflected on LOSA pin

**7.5.2.11 LS\_OVERLAY\_CONTROL (register: 0x000A) (default: 0x4000) (device address: 0x1E)**

**Figure 7-51. LS\_OVERLAY\_CONTROL Register**

15	14	13	12	11	10	9	8
RESERVED			LS_PLL_LOCK_OVERLAY (RXG)	LS_CH_SYNC_OVERLAY_LN[3:0] (RXG)			
R/W			R/W	R/W			
7	6	5	4	3	2	1	0
LS_INVALID_CODE_OVERLAY_LN[3:0] (RXG)				LS_LOS_OVERLAY_LN[3:0] (RXG)			
R/W				R/W			

LEGEND: R/W = Read/Write; R = Read only; -n = value after reset

**Table 7-32. LS\_OVERLAY\_CONTROL Field Description**

Bit	Field	Type	Reset	Description
15:13	RESERVED	R/W		For TI use only (Default 3'b010)
12	LS_PLL_LOCK_OVERLAY (RXG)	R/W	0	LOSA pin does not reflect loss of LS SERDES PLL lock status (Default 1'b0)
			1	Allows LS SERDES loss of PLL lock status to be reflected on LOSA pin
11:8	LS_CH_SYNC_OVERLAY_LN[3:0] (RXG)	R/W		[3] Corresponds to Lane 3, [2] Corresponds to Lane 2 [1] Corresponds to Lane 1, [0] Corresponds to Lane 0
			0	LOSA pin does not reflect LS Serdes lane loss of synchronization condition (Default 1'b0)
			1	Allows LS Serdes lane loss of synchronization condition to be reflected on LOSA pin
7:4	LS_INVALID_CODE_OVERLAY_LN[3:0] (RXG)	R/W		[3] Corresponds to Lane 3, [2] Corresponds to Lane 2 [1] Corresponds to Lane 1, [0] Corresponds to Lane 0
			0	LOSA pin does not reflect LS Serdes lane invalid code condition (Default 1'b0)
			1	Allows LS Serdes lane invalid code condition to be reflected on LOSA pin
3:0	LS_LOS_OVERLAY_LN[3:0] (RXG)	R/W		[3] Corresponds to Lane 3, [2] Corresponds to Lane 2 [1] Corresponds to Lane 1, [0] Corresponds to Lane 0
		R/W	0	LOSA pin does not reflect LS Serdes lane Loss of signal condition (Default 1'b0)
			1	Allows LS Serdes lane Loss of signal condition to be reflected on LOSA pin

**7.5.2.12 LOOPBACK\_TP\_CONTROL (register: 0x000B) (default: 0x0D10) (device address: 0x1E)**
**Figure 7-52. LOOPBACK\_TP\_CONTROL Register**

15		14		13		12		11		10		9		8	
RESERVED		HS_TP_GEN_EN (RXG)		HS_TP_VERIFY_EN (RXG)		LS_TEST_PATT_SEL[2] (RXG)		LS_TEST_PATT_SEL[2:0] (RXG)		RESERVED		RESERVED		RESERVED	
R/W		R/W		R/W		R/W		R/W		R/W		R/W		R/W	
7		6		5		4		3		2		1		0	
LS_TP_GEN_EN (RXG)		LS_TP_VERIFY_EN (RXG)		LS_TEST_PATT_SEL[1:0] (RXG)		DEEP_REMOTE_LPBK (RXG)		RESERVED		RESERVED		RESERVED		SHALLOW_LOCAL_LPBK (RXG)	
R/W		R/W		R/W		R/W		R/W		R/W		R/W		R/W	

LEGEND: R/W = Read/Write; R = Read only; -n = value after reset

**Table 7-33. LOOPBACK\_TP\_CONTROL Field Description**

Bit	Field	Type	Reset	Description
15:14	RESERVED	R/W		For TI use only. (Default 2'b00)
13	HS_TP_GEN_EN (RXG)	R/W	0 1	Normal operation (Default 1'b0) Activates test pattern generation selected by bits 1E.000B bits 10:8
12	HS_TP_VERIFY_EN (RXG)	R/W	0 1	Normal operation (Default 1'b0) Activates test pattern verification selected by bits 1E.000B bits 10:8
11	LS_TEST_PATT_SEL[2] (RXG)	R/W	0	See selection in 1E.000B bits 5:4
10:8	HS_TEST_PATT_SEL[2:0] (RXG)	R/W	000 001 010 011 100 101 110 111	Test Pattern Selection. Refer to TLK100031 Bringup Procedure (a separate document) for more information. H/L/M/CRPAT valid in 1GKX/10G modes High Frequency Test Pattern Low Frequency Test Pattern Mixed Frequency Test Pattern CRPAT Long CRPAT Short PRBS pattern valid in 1GKX/10G/10GKR modes 2 <sup>7</sup> - 1 PRBS pattern (Default 3'b101) 2 <sup>23</sup> - 1 PRBS pattern 2 <sup>31</sup> - 1 PRBS pattern Errors can be checked by reading HS_ERROR_COUNT register. For KR standard pattern generation and verification, please refer to Register 03.002A
7	LS_TP_GEN_EN (RXG)	R/W	0 1	0 = Normal operation (Default 1'b0) 1 = Activates test pattern generation selected by bits {1E.000B bit 11, 1E.000B bits 5:4} on the LS side
6	LS_TP_VERIFY_EN (RXG)	R/W	0 1	0 = Normal operation (Default 1'b0) 1 = Activates test pattern verification selected by bits {1E.000B bit 11, 1E.000B bits 5:4} on the LS side
5:4	LS_TEST_PATT_SEL[1:0] (RXG)	R/W	000 001 010 011 100 101 110 111	LS Test Pattern Selection LS_TEST_PATT_SEL[2:0]. LS_TEST_PATT_SEL[2] is 1E.000B bit 11 High Frequency Test Pattern Low Frequency Test Pattern Mixed Frequency Test Pattern CRPAT Long (In 1GKX mode only) CRPAT Short (In 1GKX mode only) 2 <sup>7</sup> - 1 PRBS pattern (Default 3'b101) 2 <sup>23</sup> - 1 PRBS pattern 2 <sup>31</sup> - 1 PRBS pattern For XAUI standard test pattern generation and verification in KR mode, please refer register 01.8002 and 01.8003

**Table 7-33. LOOPBACK\_TP\_CONTROL Field Description (continued)**

Bit	Field	Type	Reset	Description
3	DEEP_REMOTE_LPBK (RXG)	R/W	0	0 = Normal functional mode (Default 1'b0)
			1	Enable deep remote loopback mode
2:1	RESERVED	R/W		For TI use only (Default 1'b0)
0	SHALLOW_LOCAL_LPBK (RXG)	R/W	0	Normal functional mode (Default 1'b0)
			1	Enable shallow local loopback mode

**7.5.2.13 LS\_CONFIG\_CONTROL (register: 0x000C) (default: 0x0330) (device address: 0x1E)**

**Figure 7-53. LS\_CONFIG\_CONTROL Register**

15	14	13	12	11	10	9	8
RESERVED		LS_STATUS_CFG[1:0] (RG)		RESERVED		RESERVED	
R/W		R/W		R/W		R/W	
7	6	5	4	3	2	1	0
RESERVED		LS_LOS_MASK (G)	LS_PLL_LOCK_MASK (G)	RESERVED	FORCE_LM_REALIGN (G)	RESERVED	
R/W		R/W	R/W	R/W	R/W	R/W	

LEGEND: R/W = Read/Write; R = Read only; -n = value after reset

**Table 7-34. LS\_CONFIG\_CONTROL Field Descriptions**

Bit	Field	Type	Reset	Description
15:14	RESERVED	R/W		For TI use only. (Default 2'b00)
13:12	LS_STATUS_CFG[1:0] (RG)	R/W	0	Selects selected lane status to be reflected in LS_STATUS_1 register 1E.0015 bit 14
			00	Lane 0 (Default 2'b00)
			01	Lane 1
			10	Lane 2
			11	Lane 3
11:10	RESERVED	R/W		For TI use only. Always reads 0.
9:8	RESERVED	R/W		For TI use only. (Default 2'b11)
7:6	RESERVED	R/W		For TI use only.
5	LS_LOS_MASK (G)	R/W	0	LS Serdes LOS status of enabled lanes is used to generate link status
			1	LS Serdes LOS status of enabled lanes is not used to generate link status (Default 1'b1)
4	LS_PLL_LOCK_MASK (G)	R/W	0	LS Serdes PLL Lock status is used to generate link status
			1	LS Serdes PLL Lock status is not used to generate link status (Default 1'b1)
3	RESERVED	R/W		For TI use only. Always reads 0.
2	FORCE_LM_REALIGN (G)	R/W	0	Normal operation (Default 1'b0)
			1	Force lane realignment in Link status monitor
1:0	RESERVED	R/W		For TI use only

**7.5.2.14 LS\_CONFIG\_CONTROL (register: 0x000C) (default: 0x0330) (device address: 0x1E)**
**Figure 7-54. LS\_CONFIG\_CONTROL Register**

15	14	13	12	11	10	9	8
RESERVED		LS_STATUS_CFG[1:0] (RG)		RESERVED		RESERVED	
R/W		R/W		R/W		R/W	
7	6	5	4	3	2	1	0
RESERVED		LS_LOS_MAS K (G)	LS_PLL_LOCK _MASK (G)	RESERVED	FORCE_LM_R EALIGN (G)	RESERVED	
R/W		R/W	R/W	R/W	R/W	R/W	

LEGEND: R/W = Read/Write; R = Read only; -n = value after reset

**Table 7-35. LS\_CONFIG\_CONTROL Field Description**

Bit	Field	Type	Reset	Description
15:14	RESERVED	R/W		For TI use only. (Default 2'b00)
13:12	LS_STATUS_CFG[1:0] (RG)	R/W	00 01 10 11	Selects selected lane status to be reflected in LS_STATUS_1 register 1E.0015 bit 14 Lane 0 (Default 2'b00) Lane 1 Lane 2 Lane 3
11:10	RESERVED	R/W		For TI use only. Always reads 0.
9:8	RESERVED	R/W		For TI use only. (Default 2'b11)
7:6	RESERVED	R/W		For TI use only.
5	LS_LOS_MASK (G)	R/W	0 1	LS Serdes LOS status of enabled lanes is used to generate link status LS Serdes LOS status of enabled lanes is not used to generate link status (Default 1'b1)
4	LS_PLL_LOCK_MASK (G)	R/W	0 1	LS Serdes PLL Lock status is used to generate link status LS Serdes PLL Lock status is not used to generate link status (Default 1'b1)
3	RESERVED	R/W		For TI use only. Always reads 0.
2	FORCE_LM_REALIGN (G)	R/W	0 1	Normal operation (Default 1'b0) Force lane realignment in Link status monitor
1:0	RESERVED	R/W		For TI use only

**7.5.2.15 CLK\_CONTROL (register: 0x000D) (default: 0x2F80) (device address: 0x1E)**

**Figure 7-55. CLK\_CONTROL Register**

15	14	13	12	11	10	9	8
RESERVED		CLKOUT_EN (RXG)	CLKOUT_POW ERDOWN (RXG)	RESERVED			
R/W		R/W	R/W	R/W			
7	6	5	4	3	2	1	0
CLKOUT_DIV[3:0] (RXG)				RCLKOUT_SEL[3:0] (RXG)			
R/W				R/W			

LEGEND: R/W = Read/Write; R = Read only; -n = value after reset

**Table 7-36. CLK\_CONTROL Field Description**

Bit	Field	Type	Reset	Description
15:14	RESERVED	R/W		For TI use only. Always reads 0.
13	CLKOUT_EN (RXG)	R/W	0 1	Output clock enable. Holds CLKOUTx_P/N output to a fixed value. Allows CLKOUTx_P/N output to toggle normally. (Default 1'b1)
12	CLKOUT_POWERDOWN (RXG)	R/W	0 1	Normal operation (Default 1'b0) Enable CLKOUTx_P/N Power Down.
11:8	RESERVED	R/W		For TI use only. (Default 4'b1111)
7:4	CLKOUT_DIV[3:0] (RXG)	R/W	0000 0001 0010 0011 0100 0101 0110 0111 1000 1001 1010 1011 1100 1101 1110 1111	CLKOUT Output clock divide setting. This value is used to divide selected clock (Selected using CLKOUT_SEL) before giving it out onto respective channel CLKOUTA_P/N. 0000 = Divide by 1 Reserved Reserved Reserved Divide by 2 Reserved Reserved Reserved Divide by 4 (Default 4'b1000) Divide by 8 Divide by 16 Reserved Divide by 5 Divide by 10 Divide by 20 Divide by 25
3:0	CLKOUT_SEL[3:0] (RXG)	R/W	00x0 00x1 010x 0110 0111 10x0 10x1 110x 1110 1111	CLKOUT Output clock select. Selects Recovered clock sent out on CLKOUTx_P/N pins (Default 4'b0000) Selects HS recovered byte clock as output clock Selects HS transmit byte clock as output clock Selects HSRX VCO divide by 4 clock as output clock Selects LS recovered byte clock as output clock Selects LS transmit byte clock as output clock Reserved Reserved Reserved Reserved Reserved



**7.5.2.16 RESET\_CONTROL (register: 0x000E) (default: 0x0000) (device address: 0x1E)**
**Figure 7-56. RESET\_CONTROL Register**

15	14	13	12	11	10	9	8
RESERVED							
R/W							
7	6	5	4	3	2	1	0
RESERVED				DATAPATH_ RESET (RXG)	TXFIFO_ RESET (G)	RXFIFO_ RESET (G)	RESERVED
R/W				R/W SC <sup>(1)</sup>	R/W SC <sup>(1)</sup>	R/W SC <sup>(1)</sup>	R/W

LEGEND: R/W = Read/Write; R = Read only; -n = value after reset

(1) After reset bit is set to one, it automatically sets itself back to zero on the next MDC clock cycle.

**Table 7-37. RESET\_CONTROL Field Description**

Bit	Field	Type	Reset	Description
15:8	RESERVED	R/W		For TI use only. Always reads 0.
7:4	RESERVED	R/W		For TI use only. (Default 4'b0000)
3	DATAPATH_RESET (RXG)	R/W SC		Channel datapath reset control. Required once the desired functional mode is configured.  0 Normal operation. (Default 1'b0) 1 Resets channel logic excluding MDIO registers. (Resets both Tx and Rx datapath)
2	TXFIFO_RESET (G)	R/W SC		Transmit FIFO reset control. Applicable in 10G mode only. Not required in 10GKR mode as 10GKR FIFO is self centering.  0 Normal operation. (Default 1'b0) 1 Resets transmit datapath FIFO.
1	RXFIFO_RESET (G)	R/W SC		Receive FIFO reset control. Applicable in 10G mode only. Not required in 10GKR mode as 10GKR FIFO is self centering.  0 Normal operation. (Default 1'b0) 1 Resets receive datapath FIFO.
0	RESERVED	R/W		For TI use only. (Default 1'b0)

### 7.5.2.17 CHANNEL\_STATUS\_1 (register: 0x000F) (default: 0x0000) (device address: 0x1E)

**Figure 7-57. CHANNEL\_STATUS\_1 Register**

15	14	13	12	11	10	9	8
HS_TP_STATUS (XG)	LS_ALIGN_STATUS (RXG)	HS_LOS (RXG)	HS_AZ_DONE (RXG)	HS_AGC_LOCKED (RXG)	HS_CHANNEL_SYNC (RXG)	RESERVED	HS_DECODE_INVALID (RXG)
R	R	R	R	R	R	R	R
7	6	5	4	3	2	1	0
TX_FIFO_UNDERFLOW (RG)	TX_FIFO_OVERFLOW (RXG)	RX_FIFO_UNDERFLOW (RG)	RX_FIFO_OVERFLOW (RXG)	RX_LS_OK (G)	TX_LS_OK (G)	LS_PLL_LOCK (RXG)	HS_PLL_LOCK (RXG)
R	R	R	R	R	R	R	R

LEGEND: R/W = Read/Write; R = Read only; -n = value after reset

**Table 7-38. CHANNEL\_STATUS\_1 Field Description**

Bit	Field	Type	Reset	Description
15	HS_TP_STATUS (XG)	R	0 1	Test Pattern status for High/Low/Mixed/CRPAT test patterns. Valid in 10G/1GKX modes. Alignment has not been determined Alignment has achieved and correct pattern has been received. Any bit errors are reflected in HS_ERROR_COUNTER register (0x10)
14	LS_ALIGN_STATUS (RXG)	R	0 1	Lane alignment status Lane alignment is achieved on the LS side Lane alignment is not achieved on the LS side
13	HS_LOS (RXG)	R		Loss of Signal Indicator. When high, indicates that a loss of signal condition is detected on HS serial receive inputs
12	HS_AZ_DONE (RXG)	R		Auto zero complete indicator. When high, indicates auto zero calibration is complete
11	HS_AGC_LOCKED (RXG)	R		Adaptive gain control loop lock indicator. When high, indicates AGC loop is in locked state
10	HS_CHANNEL_SYNC (RXG)	R		Channel synchronization status indicator. When high, indicates channel synchronization has achieved
9	RESERVED	R		For TI use only.
8	HS_DECODE_INVALID (RXG)	R		Valid when decoder is enabled and during CRPAT test pattern verification. When high, indicates decoder received an invalid code word, or a 8b/10b disparity error. In functional mode, number of DECODE_INVALID errors are reflected in HS_ERROR_COUNTER register (0x10)
7	TX_FIFO_UNDERFLOW (RG)	R		Not applicable in 1GKX mode. When high, indicates underflow has occurred in the transmit datapath (CTC) FIFO.
6	TX_FIFO_OVERFLOW (RXG)	R		When high, in 10GKR and 10G modes indicates overflow has occurred in the transmit datapath (CTC) FIFO.
5	RX_FIFO_UNDERFLOW (RG)	R		Not applicable in 1GKX mode. When high, indicates underflow has occurred in the receive datapath (CTC) FIFO.
4	RX_FIFO_OVERFLOW (RXG)	R		In 10GKR and 10G modes, high indicates overflow has occurred in the receive datapath (CTC) FIFO. In 1G-KX mode, high indicates a FIFO error.
3	RX_LS_OK (G)	R		Receive link status indicator from system side. Applicable in 10G mode only When high, indicates receive link status is achieved on the system side .
2	TX_LS_OK (G)	R		Link status indicator from Lane alignment/Link training slave inside TLK10031. When high, indicates 10G Link align achieved sync and alignment .
1	LS_PLL_LOCK (RXG)	R		LS Serdes PLL lock indicator When high, indicates LS Serdes PLL achieved lock to the selected incoming REFCLK0/1_P/N
0	HS_PLL_LOCK (RXG)	R		HS Serdes PLL lock indicator When high, indicates HS Serdes PLL achieved lock to the selected incoming REFCLK0/1_P/N

**7.5.2.18 HS\_ERROR\_COUNTER (register: 0x0010) (default: 0x0FFFD) (device address: 0x1E)**
**Figure 7-58. HS\_ERROR\_COUNTER Register**

15	14	13	12	11	10	9	8	7	6	5	4	3	2	1	0
HS_ERR_COUNT[15:0] (RXG)															
COR															

LEGEND: R/W = Read/Write; R = Read only; -n = value after reset

**Table 7-39. HS\_ERROR\_COUNTER Field Description**

Bit	Field	Type	Reset	Description
15:0	HS_ERR_COUNT[15:0] (RXG)	COR	0	In functional mode, this counter reflects number of invalid code words (includes disparity errors) received by decoder. In 10GKR mode, reading this register also clears value in 03.0021 bits 7:0. In 10GKR mode, default value for this register is 16'h0000. In HS test pattern verification mode, this counter reflects error count for the test pattern selected through 1E.000B bits 10:8 When PRBS_EN pin is set, this counter reflects error count for selected PRBS pattern. Counter value cleared to 16'h0000 when read.

**7.5.2.19 LS\_LN0\_ERROR\_COUNTER (register: 0x0011) (default: 0xFFFD) (device address: 0x1E)**
**Figure 7-59. LS\_LN0\_ERROR\_COUNTER Register**

15	14	13	12	11	10	9	8	7	6	5	4	3	2	1	0
LS_LN0_ERR_COUNT[15:0] (RXG)															
COR															

LEGEND: R/W = Read/Write; R = Read only; -n = value after reset

**Table 7-40. LS\_LN0\_ERROR\_COUNTER Field Description**

Bit	Field	Type	Reset	Description
15:0	LS_LN0_ERR_COUNT[15:0] (RXG)	COR	0	Lane 0 Error counter In 10GKR/1GKX functional modes, this counter reflects number of invalid code words (includes disparity errors) received by decoder In 10G functional mode, this counter reflects number of invalid code words (includes disparity errors) received by decoder in lane alignment slave. In LS test pattern verification mode, this counter reflects error count for the test pattern selected through 1E.000B bits 5:4 Counter value cleared to 16'h0000 when read.

**7.5.2.20 LS\_LN1\_ERROR\_COUNTER (register: 0x0012 ) (default: 0xFFFFD) (device address: 0x1E)**

**Figure 7-60. LS\_LN1\_ERROR\_COUNTER Register**

15	14	13	12	11	10	9	8	7	6	5	4	3	2	1	0
LS_LN1_ERR_COUNT[15:0] (RG)															
COR															

LEGEND: R/W = Read/Write; R = Read only; -n = value after reset

**Table 7-41. LS\_LN1\_ERROR\_COUNTER Field Descriptions**

Bit	Field	Type	Reset	Description
15:0	LS_LN1_ERR_COUNT[15:0] (RG)	COR		Lane 1 Error counter In 10GKR/1GKX functional modes, this counter reflects number of invalid code words (includes disparity errors) received by decoder In 10G functional mode, this counter reflects number of invalid code words (includes disparity errors) received by decoder in lane alignment slave. In LS test pattern verification mode , this counter reflects error count for the test pattern selected through 1E.000B bits 5:4 Counter value cleared to 16'h0000 when read.

**7.5.2.21 LS\_LN2\_ERROR\_COUNTER (register: 0x0013) (default: 0xFFFFD) (device address: 0x1E)**

**Figure 7-61. LS\_LN2\_ERROR\_COUNTER Register**

15	14	13	12	11	10	9	8	7	6	5	4	3	2	1	0
LS_LN2_ERR_COUNT[15:0] (RG)															
COR															

LEGEND: R/W = Read/Write; R = Read only; -n = value after reset

**Table 7-42. LS\_LN2\_ERROR\_COUNTER Field Descriptions**

Bit	Field	Type	Reset	Description
15:0	LS_LN2_ERR_COUNT[15:0] (RG)	COR	0	Lane 2 Error counter In 10GKR/1GKX functional modes, this counter reflects number of invalid code words (includes disparity errors) received by decoder In 10G functional mode, this counter reflects number of invalid code words (includes disparity errors) received by decoder in lane alignment slave. In LS test pattern verification mode , this counter reflects error count for the test pattern selected through 1E.000B bits 5:4 Counter value cleared to 16'h0000 when read.

**7.5.2.22 LS\_LN3\_ERROR\_COUNTER (register: 0x0014) (default: 0xFFFFD) (device address: 0x1E)**

**Figure 7-62. LS\_LN3\_ERROR\_COUNTER Register**

15	14	13	12	11	10	9	8	7	6	5	4	3	2	1	0
LS_LN3_ERR_COUNT[15:0] (RG)															
COR															

LEGEND: R/W = Read/Write; R = Read only; -n = value after reset

**Table 7-43. LS\_LN3\_ERROR\_COUNTER Field Descriptions**

Bit	Field	Type	Reset	Description
15:0	LS_LN3_ERR_COUNT[15:0] (RG)	COR	0	Lane 3 Error counter In 10GKR/1GKX functional modes, this counter reflects number of invalid code words (includes disparity errors) received by decoder In 10G functional mode, this counter reflects number of invalid code words (includes disparity errors) received by decoder in lane alignment slave. In LS test pattern verification mode , this counter reflects error count for the test pattern selected through 1E.000B bits 5:4 Counter value cleared to 16'h0000 when read.

**7.5.2.23 LS\_STATUS\_1 (register: 0x0015) (default: 0x0000) (device address: 0x1E)**

**Figure 7-63. LS\_STATUS\_1 Register**

15	14	13	12	11	10	9	8
RESERVED				LS_INVALID_DECODE (RXG)	LS_LOS (RXG)	LS_LN_ALIGN_FIFO_ERR (RG)	LS_CH_SYNC_STATUS (RXG)
RO				RO/LH	RO/LH	RO/LH	RO/LL
7	6	5	4	3	2	1	0
RESERVED				LS_CHSYNC_ROT[3:0] (RXG)			
RO				RO			

LEGEND: R/W = Read/Write; R = Read only; -n = value after reset

**Table 7-44. LS\_STATUS\_1 Field Descriptions**

Bit	Field	Type	Reset	Description
15:12	RESERVED	RO		For TI use only.
11	LS_INVALID_DECODE (RXG)	RO/LH	0	LS Invalid decode error for selected lane. Lane can be selected through LS_STATUS_CFG[1:0] (Register 1E.000C). Error count for each lane can also be monitored through respective LS_LNx_ERR_COUNT registers
10	LS_LOS (RXG)	RO/LH	0	Loss of Signal Indicator. When high, indicates that a loss of signal condition is detected on LS serial receive inputs for selected lane. Lane can be selected through LS_STATUS_CFG[1:0] (Register 1E.000C)
9	LS_LN_ALIGN_FIFO_ERR (RG)	RO/LH	0	LS Lane alignment FIFO error status 1 = Lane alignment FIFO on LS side has error 0 = Lane alignment FIFO on LS side has no error
8	LS_CH_SYNC_STATUS (RXG)	RO/LH	0	LS Channel sync status for selected lane. Lane can be selected through LS_STATUS_CFG[1:0] (Register 1E.000C)
7:4	RESERVED	RO		For TI use only.
3:0	LS_CHSYNC_ROT[3:0] (RXG)	RO/LH	0	Channel synchronization pointer on LS side. Required for latency measurement function. See Latency Measurement function section for more details.

**7.5.2.24 HS\_STATUS\_1 (register: 0x0016) (default: 0x0000) (device address: 0x1E)**

**Figure 7-64. HS\_STATUS\_1 Register**

15	14	13	12	11	10	9	8
RESERVED							
RO							
7	6	5	4	3	2	1	0
RESERVED	HS_KR_CH_SYNC_ROT[6:4] (RXG)			HS_KR_CH_SYNC_ROT[3:0] (RXG)			
RO	RO			RO			

LEGEND: R/W = Read/Write; R = Read only; -n = value after reset

**Table 7-45. HS\_STATUS\_1 Field Descriptions**

Bit	Field	Type	Reset	Description
15:7	RESERVED	RO		For TI use only.
6:4	HS_KR_CH_SYNC_ROT[6:4] (RXG)	RO		Channel synchronization pointer on HS side in 10GKR mode. Required for latency measurement function. See Latency Measurement function section for more details. In 10GKR mode, [6:4] reflects 3 MSB's of 7 bit HS sync rotation. In 1GKX and 10G modes, indicates channel synchronization state on HS side.
3:0	HS_KR_CH_SYNC_ROT[3:0] (RXG)	RO		Channel synchronization pointer on HS side. Required for latency measurement function. See Latency Measurement function section for more details. In 10GKR mode, reflects 4 LSB's of 7 bit HS sync rotation. In 10G and 1GKX modes, reflects 4 bit HS sync rotation.

**7.5.2.25 DST\_CONTROL\_1 (register = 0x0017) (default = 0x2000) (device address: 0x1E)**

**Figure 7-65. DST\_CONTROL\_1 Registers**

15			14			13			12			11			10			9			8		
RESERVED						DST_PIN_SW_EN (RXG)			DST_PIN_SW_SRC_1[1:0] (RXG)			DST_PIN_SW_SRC_0[1:0] (RXG)											
RW						RW			RW			RW											
7			6			5			4			3			2			1			0		
DST_OFF_SEL (RX)			DST_ON_SEL (RX)			DST_STUFF_SEL (RX)			RESERVED														
RW			RW			RW			RW														

LEGEND: R/W = Read/Write; R = Read only; -n = value after reset

**Table 7-46. DST\_CONTROL\_1 Field Descriptions**

Bit	Field	Type	Reset	Description
15:13	RESERVED	RW		For TI use only (Default 3'b001)
12	DST_PIN_SW_EN (RXG)	RW		1 = Enable pin switch feature using top level pin. Ignore MDIO software switch. Requires setting PRTAD0_PIN_EN to high and setting PRTAD0_PIN_EN_SEL to control applicable channel Tx data switch. 0 = Disable pin switch feature. Only MDIO software switch is used (Default 1'b0)
11:10	DST_PIN_SW_SRC_1[1:0] (RXG)	RW		Applicable when top level pin (PRTAD0) is assigned to control transmit data switch source input and if PRTAD0 is HIGH. 00 = Select LS input(Default 2'b00) 01 = Select HS input 10 = Reserved 11 = Reserved
9:8	DST_PIN_SW_SRC_0[1:0] (RXG)	RW		Applicable when top level pin (PRTAD0) is assigned to control transmit data switch source input and if PRTAD0 is LOW. 00 = Select LS input(Default 2'b00) 01 = Select HS input 10 = Reserved 11 = Reserved
7	DST_OFF_SEL (RX)	RW		Applicable only in KR & KX modes. Selects data pattern to trigger OFF condition (Default 1'b0) KR Mode: 1 = Local Fault (0x0100009c) 0 = IDLE (0x07 on all lanes) KX Mode: 1 = Match DST_OFF_CHAR specified in 1E.802AB 0 = IDLE (Either /I1/ or /I2/)
6	DST_ON_SEL (RX)	RW		Applicable only in KR & KX modes. Selects data pattern to trigger ON condition (Default 1'b0) KR Mode: 1 = Local Fault (0x0100009c) 0 = IDLE (0x07 on all lanes) KX Mode: 1 = Match DST_ON_CHAR specified in 1E.802A 0 = IDLE (Either /I1/ or /I2/)
5	DST_STUFF_SEL (RX)	RW		Applicable only in KR & KX modes. Selects data pattern to stuff the output during data switching (Default 1'b0) KR Mode: 1 = Local Fault (0x0100009c) 0 = IDLE (0x07 on all lanes) KX Mode: 1 = // Error propagation (K30.7) 0 = /I2/ (/K28.5/D16.2/)
4:0	RESERVED	RW		For TI use only (Default 5'b00000)

**7.5.2.26 DST\_CONTROL\_2 (register = 0x0018 ) (default = 0x0C20) (device address: 0x1E)**
**Figure 7-66. DST\_CONTROL\_2 Register**

15	14	13	12	11	10	9	8
DST_DATA_SRC_SEL[1:0] (RXG)		DST_DATA_SW_MODE[1:0] (RXG)		RESERVED			
RW		RW		RW			
7	6	5	4	3	2	1	0
DST_MASK_CYCLES[7:0] (RXG)							
RW							

LEGEND: R/W = Read/Write; R = Read only; -n = value after reset

**Table 7-47. DST\_CONTROL\_2 Field Descriptions**

Bit	Field	Type	Reset	Description
15:14	DST_DATA_SRC_SEL[1:0] (RXG)	RW		Data selection for transmit data switch source input. Applicable when DST_PIN_SW_EN is LOW. 00 = Select LS input(Default 2'b00) 01 = Select HS input 10 = Reserved 11 = Reserved
13:12	DST_DATA_SW_MODE[1:0] (RXG)	RW		Selects condition to trigger data switch for the selected ON/OFF condition. (Default 2'b00) OFF condition: 00 = Wait for OFF trigger 01 = Any data 10 = Any data 11 = Wait for OFF trigger ON condition: 00 = Wait for ON trigger 01 = Wait for ON trigger 10 = Any data 11 = Any data
11:8	RESERVED	RW		For TI use only (Default 4'b1100)
7:0	DST_MASK_CYCLES[7:0] (RXG)	RW		Duration of clock cycles that the data-switch output data is masked with the data pattern selected through DST_STUFF_SEL. (Default 8'b0010_0000)

**7.5.2.27 DSR\_CONTROL\_1 (register = 0x0019) (default = 0x2500) (device address: 0x1E)**

**Figure 7-67. DSR\_CONTROL\_1 Registers**

15		14		13		12		11		10		9		8	
RESERVED				DSR_PIN_SW_EN (RXG)		DSR_PIN_SW_SRC_1[1:0] (RXG)		DSR_PIN_SW_SRC_0[1:0] (RXG)							
RW				RW		RW		RW							
7		6		5		4		3		2		1		0	
DSR_OFF_SEL (RX)		DSR_ON_SEL (RX)		DSR_STUFF_SEL (RX)		RESERVED									
RW		RW		RW		RW									

LEGEND: R/W = Read/Write; R = Read only; -n = value after reset

**Table 7-48. DSR\_CONTROL\_1 Field Descriptions**

Bit	Field	Type	Reset	Description
15:13	RESERVED	RW		For TI use only (Default 3'b001)
12	DSR_PIN_SW_EN (RXG)	RW		1 = Enable pin switch feature using top level pin. Ignore MDIO software switch. Requires setting PRTAD0_PIN_EN to high and setting PRTAD0_PIN_EN_SEL to control Rx data switch. 0 = Disable pin switch feature. Only MDIO software switch is used (Default 1'b0)
11:10	DSR_PIN_SW_SRC_1[1:0] (RXG)	RW		Applicable when top level pin (PRTAD0) is assigned to control receive data switch source input and if PRTAD0 is HIGH. 00 = Select LS input 01 = Select HS input(Default 2'b01) 10 = Reserved 11 = Reserved
9:8	DSR_PIN_SW_SRC_0[1:0] (RXG)	RW		Applicable when top level pin (PRTAD0) is assigned to control receive data switch source input and if PRTAD0 is LOW. 00 = Select LS input 01 = Select HS input(Default 2'b01) 10 = Reserved 11 = Reserved
7	DSR_OFF_SEL (RX)	RW		Applicable only in KR & KX modes. Selects data pattern to trigger OFF condition (Default 1'b0) KR Mode: 1 = Local Fault (0x0100009c) 0 = IDLE (0x07 on all lanes) KX Mode: 1 = Match DSR_OFF_CHAR specified in 1E.802E 0 = IDLE (Either /I1/ or /I2/)
6	DSR_ON_SEL (RX)	RW		Applicable only in KR & KX modes. Selects data pattern to trigger ON condition (Default 1'b0) KR Mode: 1 = Local Fault (0x0100009c) 0 = IDLE (0x07 on all lanes) KX Mode: 1 = Match DSR_ON_CHAR specified in 1E.802D 0 = IDLE (Either /I1/ or /I2/)
5	DSR_STUFF_SEL (RX)	RW		Applicable only in KR & KX modes. Selects data pattern to stuff the output during data switching (Default 1'b0) KR Mode: 1 = Local Fault (0x0100009c) 0 = IDLE (0x07 on all lanes) KX Mode: 1 = // Error propagation (K30.7) 0 = /I2/ (/K28.5/D16.2/)
4:0	RESERVED	RW		For TI use only (Default 5'b00000)



7.5.2.28 DSR\_CONTROL\_2 (register = 0x001A) (default = 0x4C20) (device address: 0x1E)

Figure 7-68. DSR\_CONTROL\_2 Register

15	14	13	12	11	10	9	8
DSR_DATA_SRC_SEL[1:0] (RXG)		SR_DATA_SW_MODE[1:0] (RXG)		RESERVED			
RW		RW		RW			
7	6	5	4	3	2	1	0
DSR_MASK_CYCLES[7:0] (RXG)							
RW							

LEGEND: R/W = Read/Write; R = Read only; -n = value after reset

Table 7-49. DSR\_CONTROL\_2 Field Descriptions

Bit	Field	Type	Reset	Description
15:14	DSR_DATA_SRC_SEL[1:0] (RXG)	RW		Data selection for receive data switch source input. Applicable when DST_PIN_SW_EN is LOW. 00 = Select LS input 01 = Select HS input(Default 2'b01) 10 = Reserved 11 = Reserved
13:12	DSR_DATA_SW_MODE[1:0] (RXG)	RW		Selects condition to trigger data switch for the selected ON/OFF condition. (Default 2'b00) OFF condition: 00 = Wait for OFF trigger 01 = Any data 10 = Any data 11 = Wait for OFF trigger ON condition: 00 = Wait for ON trigger 01 = Wait for ON trigger 10 = Any data 11 = Any data
11:8	RESERVED	RW		For TI use only (Default 4'b1100)

7.5.2.29 DATA\_SWITCH\_STATUS (register = 0x001B) (default = 0x1020) (device address: 0x1E)

Figure 7-69. DATA\_SWITCH\_STATUS Register

15	14	13	12	11	10	9	8
DST_EN[3:0] (RXG)			DST_SW_PEN DING (RXG)	DST_SW_DON E (RXG)	DST_ON (RXG)	DST_OFF (RXG)	
RO			RO	RO	RO	RO	
7	6	5	4	3	2	1	0
DSR_EN[3:0] (RXG)			DSR_SW_PEN DING (RXG)	DSR_SW_DON E (RXG)	DSR_ON (RXG)	DSR_OFF (RXG)	
RO			RO	RO	RO	RO	

LEGEND: R/W = Read/Write; R = Read only; -n = value after reset

Table 7-50. DATA\_SWITCH\_STATUS Field Descriptions

Bit	Field	Type	Reset	Description
15:12	DST_EN[3:0] (RXG)	RO		Source input data selection status on transmit side. 0001 = LS data 0010 = HS data 0100 = Reserved 1000 = Reserved
11	DST_SW_PENDING (RXG)	RO		When HIGH, indicates data switching event is pending to be completed in the transmit side based on selected data source input
10	DST_SW_DONE (RXG)	RO		When HIGH, indicates data switching event has occurred in the transmit side based on selected data source input
9	DST_ON (RXG)	RO		ON condition indicator from transmit data switch. When HIGH, indicates an ON condition has occurred in transmit data switch

**Table 7-50. DATA\_SWITCH\_STATUS Field Descriptions (continued)**

Bit	Field	Type	Reset	Description
8	DST_OFF (RXG)	RO		OFF condition indicator from transmit data switch. When HIGH, indicates an OFF condition has occurred in transmit data switch.
7:4	DSR_EN[3:0] (RXG)	RO		Source input data selection status on receive side. 0001 = LS data 0010 = HS data 0100 = Reserved 1000 = Reserved
3	DSR_SW_PENDING (RXG)	RO		When HIGH, indicates data switching event is pending to be completed in the receive side based on selected data source input
2	DSR_SW_DONE (RXG)	RO		When HIGH, indicates data switching event has occurred in the receive side based on selected data source input
1	DSR_ON (RXG)	RO		ON condition indicator from receive data switch. When HIGH, indicates an ON condition has occurred in receive data switch.
0	DSR_OFF (RXG)	RO		OFF condition indicator from receive data switch. When HIGH, indicates an OFF condition has occurred in receive data switch.

**7.5.2.30 LS\_CH\_CONTROL\_1 (register =0x001C) (default =0x0000) (device address: 0x1E)**

**Figure 7-70. LS\_CH\_CONTROL\_1 Register**

15	14	13	12	11	10	9	8
RESERVED							
RW							
7	6	5	4	3	2	1	0
RESERVED	RESERVED	RESERVED				LS_CH_SYNC_HYS_SEL[1:0] (RG)	
RW	RW	RW				RW	

LEGEND: R/W = Read/Write; R = Read only; -n = value after reset

**Table 7-51. LS\_CH\_CONTROL\_1 Field Descriptions**

Bit	Field	Type	Reset	Description
15:7	RESERVED	RW		For TI use only. Always reads 0.
6	RESERVED	RW		For TI use only. (Default 1'b0)
5:2	RESERVED	RW		For TI use only. (Default 4'b0000)
1:0	LS_CH_SYNC_HYS_SEL[1:0] (RG)	RW		LS Channel synchronization hysteresis selection for selected lane. Lane can be selected in LS_SERDES_CONTROL_1. 00 = The channel synchronization, when in the synchronization state, performs the Ethernet standard specified hysteresis to return to the LOS state (Default 2'b00) 01 = A single 8b/10b invalid decode error or disparity error causes the channel synchronization state machine to immediately transition from sync to LOS 10 = Two adjacent 8b/10b invalid decode errors or disparity errors cause the channel synchronization state machine to immediately transition from sync to LOS 11 = Three adjacent 8b/10b invalid decode errors or disparity errors cause the channel synchronization state machine to immediately transition from sync to LOS

**7.5.2.31 HS\_CH\_CONTROL\_1 (register = 0x001D) (default = 0x0000) (device address: 0x1E)**
**Figure 7-71. HS\_CH\_CONTROL\_1 Register**

15	14	13	12	11	10	9	8
RESERVED		REFCLK_FREQ_SEL_1 EL_1 (RX)	REFCLK_FREQ_SEL_0 Q_SEL_0 (RXG)	RX_CTL_BYPASS ASS (RX)	TX_CTL_BYPASS SS (RX)	RESERVED	
RW		RW	RW	RW	RW	RW	
7	6	5	4	3	2	1	0
RESERVED				HS_ENC_BYPASS ASS (RXG)	HS_DEC_BYPASS ASS (RXG)	HS_CH_SYNC_HYSTERESIS[1:0] 0] (RXG)	
RW				RW	RW	RW	

LEGEND: R/W = Read/Write; R = Read only; -n = value after reset

**Table 7-52. HS\_CH\_CONTROL\_1 Field Descriptions**

Bit	Field	Type	Reset	Description
15:14	RESERVED	RW		For TI use only (Default 2'b00)
13	REFCLK_FREQ_SEL_1 (RX)	RW		Input REFCLK frequency selection MSB. When set, HS_PLL_MULT, LS_MPY and HS/LS TX/RX RATE settings can be set through related control bits specified in registers 1E.0002, 1E.0003, 1E.0006  0 = HS_PLL_MULT, LS_MPY and HS/LS TX/RX RATE are set automatically based on input REFCLK frequency as specified in REFCLK_FREQ_SEL_0(1E.001D bit 12) (Default 1'b0)  1 = Set this value if HS_PLL_MULT, LS_MPY and HS/LS TX/RX RATE values are NOT to be set automatically.
12	REFCLK_FREQ_SEL_0 (RXG)	RW		Input REFCLK frequency selection LSB. Applicable when REFCLK_FREQ_SEL_1(1E.001D bit 13) is set to 0. 0 = Set this value if REFCLK frequency is 156.25 MHz (Default 1'b0) 1 = Set this value if REFCLK frequency is 312.5 MHz
11	RX_CTL_BYPASS (RX)	RW		0 = Normal operation. (Default 1'b0) 1 = Disables RX CTC operation.
10	TX_CTL_BYPASS (RX)	RW		0 = Normal operation. (Default 1'b0) 1 = Disables TX CTC operation.
9:4	RESERVED	RW		For TI use only (Default 4'b0000)
3	HS_ENC_BYPASS (RXG)	RW		0 = Normal operation. (Default 1'b0) 1 = Disables 8B/10B encoder on HS side.
2	HS_DEC_BYPASS (RXG)	RW		0 = Normal operation. (Default 1'b0) 1 = Disables 8B/10B decoder on HS side.
1:0	HS_CH_SYNC_HYSTERESIS[1:0] (RXG)	RW		Channel synchronization hysteresis control on the HS receive channel.  00 = The channel synchronization, when in the synchronization state, performs the Ethernet standard specified hysteresis to return to the unsynchronized state (Default 2'b00)  01 = A single 8b/10b invalid decode error or disparity error causes the channel synchronization state machine to immediately transition from sync to unsync  10 = Two adjacent 8b/10b invalid decode errors or disparity errors cause the channel synchronization state machine to immediately transition from sync to unsync  11 = Three adjacent 8b/10b invalid decode errors or disparity errors cause the channel synchronization state machine to immediately transition from sync to unsync

**7.5.2.32 EXT\_ADDRESS\_CONTROL (register = 0x001E) (default = 0x0000) (device address: 0x1E)**

**Figure 7-72. EXT\_ADDRESS\_CONTROL Register**

15	14	13	12	11	10	9	8	7	6	5	4	3	2	1	0
EXT_ADDR_CONTROL[15:0] (XG)															
RW															

LEGEND: R/W = Read/Write; R = Read only; -n = value after reset

**Table 7-53. EXT\_ADDRESS\_CONTROL Field Descriptions**

Bit	Field	Type	Reset	Description
15:0	EXT_ADDR_CONTROL[15:0] (XG)	RW		Applicable in Clause 22 mode only. This register should be written with the extended register address to be written/read. Contents of address written in this register can be accessed from Reg 1E.0x001F (Default 16'h0000)

**7.5.2.33 EXT\_ADDRESS\_DATA (register = 0x001F) (default = 0x0000) (device address: 0x1E)**

**Figure 7-73. EXT\_ADDRESS\_DATA Register**

15	14	13	12	11	10	9	8	7	6	5	4	3	2	1	0
EXT_ADDR_DATA[15:0] (XG)															
RW															

LEGEND: R/W = Read/Write; R = Read only; -n = value after reset

**Table 7-54. EXT\_ADDRESS\_DATA Field Descriptions**

Bit	Field	Type	Reset	Description
15:0	EXT_ADDR_DATA[15:0] (XG)	RW		Applicable in Clause 22 mode only. This register contains the data associated with the register address written in Register 1E.0x001E

The registers below can be accessed directly through Clause 45 or indirectly through Clause 22. Contains mode specific control/status registers.

**7.5.2.34 VS\_10G\_LN\_ALIGN\_ACODE\_P (register =0x8003) (default = 0x0283) (device address: 0x1E)**

**Figure 7-74. VS\_10G\_LN\_ALIGN\_ACODE\_P Register**

15	14	13	12	11	10	9	8	7	6	5	4	3	2	1	0
RESERVED						LN_ALIGN_ACODE_P[9:0] (G)									
RW						RW									

LEGEND: R/W = Read/Write; R = Read only; -n = value after reset

**Table 7-55. VS\_10G\_LN\_ALIGN\_ACODE\_P Field Descriptions**

Bit	Field	Type	Reset	Description
15:10	RESERVED	RW		For TI use only. Always reads 0.
9:0	LN_ALIGN_ACODE_P[9:0] (G)	RW		10 bit Alignment character to be matched (Default 10'h283)

**7.5.2.35 VS\_10G\_LN\_ALIGN\_ACODE\_N (register =0x8004 ) (default = 0x017C) (device address: 0x1E)**

**Figure 7-75. VS\_10G\_LN\_ALIGN\_ACODE\_N Register**

15	14	13	12	11	10	9	8	7	6	5	4	3	2	1	0
RESERVED						LN_ALIGN_ACODE_N[9:0] (G)									
RW						RW									

LEGEND: R/W = Read/Write; R = Read only; -n = value after reset

**Table 7-56. VS\_10G\_LN\_ALIGN\_ACODE\_N Field Descriptions**

Bit	Field	Type	Reset	Description
15:10	RESERVED	RW		For TI use only. Always reads 0.
9:0	LN_ALIGN_ACODE_N[9:0] (G)	RW		10 bit Alignment character to be matched (Default 10'h17C)

**7.5.2.36 MC\_AUTO\_CONTROL (register = 0x8021) (default = 0x000F) (device address: 0x1E)**

**Figure 7-76. MC\_AUTO\_CONTROL Register**

15	14	13	12	11	10	9	8
RESERVED							
RW							
7	6	5	4	3	2	1	0
RESERVED	HS_PLL_LOCK_C HECK_DISABLE (RXG)	HS_LOS_CH ECK_ DISABLE (RXG)	SYNC_STATU S_CHECK _DISABLE (RXG)	CLKOUT_EN_A UTO_DISABLE (RXG)	RESERVED		
RW	RW	RW	RW	RW	RW		

LEGEND: R/W = Read/Write; R = Read only; -n = value after reset

**Table 7-57. MC\_AUTO\_CONTROL Field Descriptions**

Bit	Field	Type	Reset	Description
15:7	RESERVED	RW		For TI use only. Always reads 0.
6	HS_PLL_LOCK_CHECK_DISABLE (RXG)	RW		1 = Disable auto HS PLL lock status check. 0 = Enable auto HS PLL lock status check (Default 1'b0)
5	HS_LOS_CHECK_DISABLE (RXG)	RW		1 = Disable auto HS LOS status check 0 = Enable auto HS LOS sync status check (Default 1'b0)
4	SYNC_STATUS_CHECK_DISABLE (RXG)	RW		This bit needs to be set to 1 for PRBS testing. 1 = Disable auto sync status check. 0 = Enable auto sync status check (Default 1'b0)
3	CLKOUT_EN_AUTO_DISABLE (RXG)	RW		This bit controls the signal which flat lines CLKOUT and applicable only when CLKOUT is selected to have HS Recovered byte clock 1 = CLKOUT clock flat lined if HS LOS is detected (Default 1'b1) 0 = CLKOUT clock not flat lined if HS LOS is detected
2:0	RESERVED	RW		For TI use only (Default 3'b111)

**7.5.2.37 DST\_ON\_CHAR\_CONTROL (register = 0x802A) (default = 0x02FD)  
(device address: 0x1E)**

**Figure 7-77. DST\_ON\_CHAR\_CONTROL Register**

15	14	13	12	11	10	9	8	7	6	5	4	3	2	1	0
RESERVED						DST_ON_CHAR[9:0] (XG)									
RW						RW									

LEGEND: R/W = Read/Write; R = Read only; -n = value after reset

**Table 7-58. DST\_ON\_CHAR\_CONTROL Field Descriptions**

Bit	Field	Type	Reset	Description
15:10	RESERVED	RW		For TI use only. Always reads 0.
9:0	DST_ON_CHAR[9:0] (XG)	RW		Applicable only in 1GKX and 10G modes. 10 bit data pattern to trigger ON condition if matched on transmit side (Default 10'h2FD)

**7.5.2.38 DST\_OFF\_CHAR\_CONTROL (register = 0x802B ) (default = 0x02FD)  
(device address: 0x1E)**

**Figure 7-78. DST\_OFF\_CHAR\_CONTROL Register**

15	14	13	12	11	10	9	8	7	6	5	4	3	2	1	0
RESERVED						DST_OFF_CHAR[9:0] (XG)									
RW						RW									

LEGEND: R/W = Read/Write; R = Read only; -n = value after reset

**Table 7-59. DST\_OFF\_CHAR\_CONTROL Field Descriptions**

Bit	Field	Type	Reset	Description
15:10	RESERVED	RW		For TI use only. Always reads 0.
9:0	DST_OFF_CHAR[9:0] (XG)	RW		Applicable only in 1GKX and 10G modes. 10 bit data pattern to trigger OFF condition if matched on transmit side (Default 10'h2FD)

**7.5.2.39 DST\_STUFF\_CHAR\_CONTROL (register = 0x802C) (default = 0x0207)  
(device address: 0x1E)**

**Figure 7-79. DST\_STUFF\_CHAR\_CONTROL Register**

15	14	13	12	11	10	9	8	7	6	5	4	3	2	1	0
RESERVED						DST_STUFF_CHAR[9:0] (G)									
RW						RW									

LEGEND: R/W = Read/Write; R = Read only; -n = value after reset

**Table 7-60. DST\_STUFF\_CHAR\_CONTROL Field Descriptions**

Bit	Field	Type	Reset	Description
15:10	RESERVED	RW		For TI use only. Always reads 0.
9:0	DST_STUFF_CHAR[9:0] (G)	RW		Applicable only in 10G mode. 10 bit data pattern to stuff the output of data switch on transmit side (Default 10'h207)

**7.5.2.40 DSR\_ON\_CHAR\_CONTROL (register = 0x802D) (default = 0x02FD)  
(device address: 0x1E)**
**Figure 7-80. DSR\_ON\_CHAR\_CONTROL Register**

15	14	13	12	11	10	9	8	7	6	5	4	3	2	1	0
RESERVED						DSR_ON_CHAR[9:0] (XG)									
RW						RW									

LEGEND: R/W = Read/Write; R = Read only; -n = value after reset

**Table 7-61. DSR\_ON\_CHAR\_CONTROL Field Descriptions**

Bit	Field	Type	Reset	Description
15:10	RESERVED	RW		For TI use only. Always reads 0.
9:0	DSR_ON_CHAR[9:0] (XG)	RW		Applicable only in 1GKX and 10G modes. 10 bit data pattern to trigger ON condition if matched on receive side (Default 10'h2FD)

**7.5.2.41 DSR\_OFF\_CHAR\_CONTROL (register = 0x802E) (default = 0x02FD)  
(device address: 0x1E)**
**Figure 7-81. DSR\_OFF\_CHAR\_CONTROL Register**

15	14	13	12	11	10	9	8	7	6	5	4	3	2	1	0
RESERVED						DSR_OFF_CHAR[9:0] (XG)									
RW						RW									

LEGEND: R/W = Read/Write; R = Read only; -n = value after reset

**Table 7-62. DSR\_OFF\_CHAR\_CONTROL Field Descriptions**

Bit	Field	Type	Reset	Description
15:10	RESERVED	RW		For TI use only. Always reads 0.
9:0	DSR_OFF_CHAR[9:0] (XG)	RW		Applicable only in 1GKX and 10G modes. 10 bit data pattern to trigger OFF condition if matched on receive side (Default 10'h2FD)

**7.5.2.42 DSR\_STUFF\_CHAR\_CONTROL (register = 0x802F) (default = 0x0207)  
(device address: 0x1E)**
**Figure 7-82. DSR\_STUFF\_CHAR\_CONTROL Register**

15	14	13	12	11	10	9	8	7	6	5	4	3	2	1	0
RESERVED						DSR_STUFF_CHAR[9:0] (G)									
RW						RW									

LEGEND: R/W = Read/Write; R = Read only; -n = value after reset

**Table 7-63. DSR\_STUFF\_CHAR\_CONTROL Field Descriptions**

Bit	Field	Type	Reset	Description
15:10	RESERVED	RW		For TI use only. Always reads 0.
9:0	DSR_STUFF_CHAR[9:0] (G)	RW		Applicable only in 10G mode. 10 bit data pattern to stuff the output of data switch on receive side (Default 10'h207)

**7.5.2.43 LATENCY\_MEASURE\_CONTROL (register = 0x8040) (default = 0x0000) (device address: 0x1E)**

**Figure 7-83. LATENCY\_MEASURE\_CONTROL Register**

15	14	13	12	11	10	9	8
RESERVED							
RW							
7	6	5	4	3	2	1	0
LATENCY_MEAS_STOP_SEL[1:0] (RXG)		LATENCY_MEAS_CLK_DIV[1:0] (RXG)		LATENCY_MEAS_START_SEL[1:0] (RXG)		LATENCY_MEAS_EN (RXG)	LATENCY_MEAS_CLK_SEL (RXG)
RW		RW		RW		RW	

LEGEND: R/W = Read/Write; R = Read only; -n = value after reset

**Table 7-64. LATENCY\_MEASURE\_CONTROL Field Descriptions**

Bit	Field	Type	Reset	Description
15:8	RESERVED	RW		For TI use only. Always reads 0.
7:6	LATENCY_MEAS_STOP_SEL[1:0] (RXG)	RW		Latency measurement stop point selection 00 = Selects LS RX as stop point (Default 2'b00) 01 = Selects HS TX as stop point 1x = Selects external pin (PRTAD0) as stop point
5:4	LATENCY_MEAS_CLK_DIV[1:0] (RXG)	RW		Latency measurement clock divide control. Valid only when bit 1E.8040 bit 2 is 0. Divides clock to needed resolution. Higher the divide value, lesser the latency measurement resolution. Divider value should be chosen such that the divided clock doesn't result in clock slower than the high speed byte clock. 00 = Divide by 1 (Default 2'b00) (Most Accurate Measurement) 01 = Divide by 2 10 = Divide by 4 11 = Divide by 8 (Longest Measurement Capability)
3:2	LATENCY_MEAS_START_SEL[1:0] (RXG)	RW		Latency measurement start point selection 00 = Selects LS TX as start point (Default 2'b00) 01 = Selects HS RX as start point 1x = Selects external pin (PRTAD0) as start point
1	LATENCY_MEAS_EN (RXG)	RW		Latency measurement enable 0 = Disable Latency measurement (Default 'b0) 1 = Enable Latency measurement
0	LATENCY_MEAS_CLK_SEL (RXG)	RW		Latency measurement clock selection. 0 = Selects VCO clock as per Latency measurement table. Bits 1E.8040 bits 5:4 can be used to divide this clock to achieve needed resolution. (Default 1'b0) 1 = Selects recovered byte clock

**7.5.2.44 LATENCY\_COUNTER\_2 (register = 0x8041) (default =0x0000) (device address: 0x1E)**

**Figure 7-84. LATENCY\_COUNTER\_2 Register**

15	14	13	12	11	10	9	8
LATENCY_MEAS_START_COMMA[3:0] (RXG)				LATENCY_MEAS_STOP_COMMA[3:0] (RXG)			
RO/LH				RO/LH			
7	6	5	4	3	2	1	0
RESERVED			LATENCY_MEAS_READY (RXG)	LATENCY_MEAS_COUNT[19:16] (RXG)			
RO/LH			RO				

LEGEND: R/W = Read/Write; R = Read only; -n = value after reset



**Table 7-65. LATENCY\_COUNTER\_2 Field Descriptions**

Bit	Field	Type	Reset	Description
15:12	LATENCY_MEAS_START_COMMA[3:0] (RXG)	RO/LH		Latency measurement start comma location status. "1" indicates start comma location found. If LS TX is selected as start point (1E.8040 bit 7 = 0), [3:0] indicates status for lane3, lane2, lane1, lane0. If HS RX is selected as start point (1E.8040 bit 7 = 1), [0] indicates status for data[9:0], [1] indicates status for data[19:10]. [3:2] is unused.  Reading this register will clear Latency stopwatch status specified in LATENCY_COUNTER_1 & LATENCY_COUNTER_2 registers. Below sequence of reads needs to be performed for accurate and repeat stopwatch measurements. See Latency measurement procedure more information. READ 0x8041 READ 0x8042
11:8	LATENCY_MEAS_STOP_COMMA[3:0] (RXG)	RO/LH		Latency measurement stop comma location status. "1" indicates stop comma location found. If LS RX is selected as stop point (1E.8040 bit 6 = 0), [3:0] indicates status for lane3, lane2, lane1, lane0. If HS TX is selected as stop point (1E.8040 bit 6 = 1), [0] indicates status for data[9:0], [1] indicates status for data[19:10]. [3:2] is unused.
7:5	RESERVED	RO/LH		
4	LATENCY_MEAS_READY (RXG)	RO/LH		Latency measurement ready indicator 0 = Indicates latency measurement not complete. 1 = Indicates latency measurement is complete and value in latency measurement counter (LATENCY_MEAS_COUNT[19:0]) is ready to be read.
3:0	LATENCY_MEAS_COUNT[19:16] (RXG)	RO/LH		Bits[19:16] of 20 bit wide latency measurement counter. Latency measurement counter value represents the latency in number of clock cycles. Each clock cycle is half of the period of the measurement clock as determined by register 1E.8040 bits 5:4 and 1E.8040 bit 0. This counter will return 20'h00000 if it's read before rx comma is received. If latency is more than 20'hFFFFFF clock cycles then this counter returns 20'hFFFFFF.

**7.5.2.45 LATENCY\_COUNTER\_1 (register = 0x8042) (default = 0x0000) (device address: 0x1E)**

**Figure 7-85. LATENCY\_COUNTER\_1 Register**

15	14	13	12	11	10	9	8	7	6	5	4	3	2	1	0
LATENCY_MEAS_COUNT[15:0] (RXG)															
COR <sup>(1)</sup>															

LEGEND: R/W = Read/Write; R = Read only; -n = value after reset

- (1) Latency measurement counter value resets to 20'h00000 when this register is read. Start and Stop Comma (1E.8041 bits 15:12 & 1E.8041 bits 11:8) and count valid (1E.8041 bit 4) bits are also cleared when this register is read

**Table 7-66. LATENCY\_COUNTER\_1 Field Descriptions**

Bit	Field	Type	Reset	Description
15:0	LATENCY_MEAS_COUNT[15:0] (RXG)	COR		Bits[15:0] of 20 bit wide latency measurement counter. Below sequence of reads needs to be performed for accurate and repeat stopwatch measurements. READ 0x8041 READ 0x8042

**7.5.2.46 TRIGGER\_LOAD\_CONTROL (register = 0x8100) (default = 0x0000)  
(device address: 0x1E)**
**Figure 7-86. TRIGGER\_LOAD\_CONTROL Register**

15	14	13	12	11	10	9	8
RESERVED					RESERVED		
RW					RW		
7	6	5	4	3	2	1	0
RESERVED					DEFAULT_ TX_LOAD_ TRIGGER (RXG)	RESERVED	
RW					RW	RW	

LEGEND: R/W = Read/Write; R = Read only; -n = value after reset

**Table 7-67. TRIGGER\_LOAD\_CONTROL Field Descriptions**

Bit	Field	Type	Reset	Description
15:11	RESERVED	RW		For TI use only. Always reads 0.
10:3	RESERVED	RW		For TI use only. (Default 8'b00000000)
2	DEFAULT_TX_LOAD_TRIGGER (RXG)	RW		Valid only when DEFAULT_TX_TRIGGER_EN is HIGH 1 = Trigger loading default HS TX setting values 0 = Normal operation (Default 1'b0) This bit needs to be written HIGH and then LOW to load the HS Tx default values. Applicable when link training is enabled.
1:0	RESERVED	RW		For TI use only. (Default 2'b00)

**7.5.2.47 TRIGGER\_EN\_CONTROL (register = 0x8101) (default = 0x0000) (device address: 0x1E)**
**Figure 7-87. TRIGGER\_EN\_CONTROL Register**

15	14	13	12	11	10	9	8
RESERVED					RESERVED		
RW					RW		
7	6	5	4	3	2	1	0
RESERVED					DEFAULT_ TX_LOAD_ TRIGGER_EN (RXG)	RESERVED	
RW					RW	RW	

LEGEND: R/W = Read/Write; R = Read only; -n = value after reset

**Table 7-68. TRIGGER\_EN\_CONTROL Field Descriptions**

Bit	Field	Type	Reset	Description
15:11	RESERVED	RW		For TI use only. Always reads 0.
10:3	RESERVED	RW		For TI use only. (Default 8'b00000000)
2	DEFAULT_TX_TRIGGER_EN (RXG)	RW		1 = Enable loading of Tx default values through DEFAULT_TX_LOAD_TRIGGER 0 = Normal operation (Default 1'b0)
1:0	RESERVED	RW		For TI use only. (Default 2'b00)

### 7.5.3 PMA/PMD Registers

The registers below can be accessed only in Clause 45 mode and with device address field set to 0x01 (DA[4:0] = 5'b00001).

NOTE: Link training registers can also be accessed in Clause 22 mode using indirect address method and in Clause 45 mode with device address field set to 0x1E (DA[4:0] = 5'b11110). Link training registers are also applicable in 10G and 1GKX modes.

#### 7.5.3.1 PMA\_CONTROL\_1 (register = 0x0000) (default = 0x0000) (device address: 0x01)

**Figure 7-88. PMA\_CONTROL\_1 Register**

15		14		13		12		11		10		9		8	
RESET (RX)		RESERVED				POWERDOWN (RX)		RESERVED							
RW/SC		RW				RW				RW					
7		6		5		4		3		2		1		0	
RESERVED													LOOPBACK (RX)		
RW													RW		

LEGEND: R/W = Read/Write; R = Read only; -n = value after reset

**Table 7-69. PMA\_CONTROL\_1 Field Descriptions**

Bit	Field	Type	Reset	Description
15	RESET (RX)	RW/SC		1 = Global reset. Resets datapath and MDIO registers. Equivalent to asserting RESET_N. 0 = Normal operation (Default 1'b0)
14:12	RESERVED	RW		For TI use only. Always reads 0.
11	POWERDOWN (RX)	RW		1 = Enable power down mode 0 = Normal operation (Default 1'b0)
10:1	RESERVED	RW		For TI use only. Always reads 0.
0	LOOPBACK (RX)	RW		1 = Enables loopback on HS side. LS data traverses through entire Tx datapath excluding HS serdes and will be available at LS output side 0 = Normal operation (Default 1'b0)

#### 7.5.3.2 PMA\_STATUS\_1 (register = 0x0001) (default = 0x0002) (device address: 0x01)

**Figure 7-89. PMA\_STATUS\_1 Register**

15		14		13		12		11		10		9		8	
RESERVED															
RO															
7		6		5		4		3		2		1		0	
FAULT (RX)		RESERVED						RX_LINK (RX)		LOW_POWER_ABILITY (RX)		RESERVED			
RO		RO				RO/LL		RO		RO					

LEGEND: R/W = Read/Write; R = Read only; -n = value after reset

**Table 7-70. PMA\_STATUS\_1 Field Descriptions**

Bit	Field	Type	Reset	Description
15:8	RESERVED			For TI use only.
7	FAULT (RX)	RO		1 = Fault condition detected on either Tx or Rx side 0 = No fault condition detected This bit is cleared after Register 01.0008 is read and no fault condition occurs after 01.0008 is read.
6:3	RESERVED			For TI use only.

**Table 7-70. PMA\_STATUS\_1 Field Descriptions (continued)**

Bit	Field	Type	Reset	Description
2	RX_LINK (RX)	RO/LL		1 = Receive link is up 0 = Receive link is down
1	LOW_POWER_ABILITY (RX)	RO		Always reads 1. 1 = Supports low power mode 0 = Does not support low power mode

**7.5.3.3 PMA\_DEV\_IDENTIFIER\_1 (register = 0x0002) (default = 0x4000) (device address: 0x01)****Figure 7-90. PMA\_DEV\_IDENTIFIER\_1 Register**

15	14	13	12	11	10	9	8	7	6	5	4	3	2	1	0
DEV_IDENTIFIER[31:16] (RX)															
RO															

LEGEND: R/W = Read/Write; R = Read only; -n = value after reset

**Table 7-71. PMA\_DEV\_IDENTIFIER\_1 Field Descriptions**

Bit	Field	Type	Reset	Description
15:0	DEV_IDENTIFIER[31:16] (RX)	RO		16 MSB of 32 bit unique device identifier. See <a href="#">Table 7-73</a> for identifier code details.

**7.5.3.4 PMA\_DEV\_IDENTIFIER\_2 (register = 0x0003) (default = 0x5100) (device address: 0x01)****Figure 7-91. PMA\_DEV\_IDENTIFIER\_2 Register**

15	14	13	12	11	10	9	8	7	6	5	4	3	2	1	0
DEV_IDENTIFIER[15:0] (RX)															
RO															

LEGEND: R/W = Read/Write; R = Read only; -n = value after reset

**Table 7-72. PMA\_DEV\_IDENTIFIER\_2 Field Descriptions**

Bit	Field	Type	Reset	Description
15:0	DEV_IDENTIFIER[31:16] (RX)	RO		16 MSB of 32 bit unique device identifier. See <a href="#">Table 7-73</a> for identifier code details.

**Table 7-73. UNIQUE DEVICE IDENTIFIER <sup>(1)</sup>**

Register address	Value	Description
01.0002 bits 15:0	16'b0100_0000_0000_0000	OUI[3-18]
01.0003 bits 15:10	6'b010100	OUI[19-24]
01.0003 bits 9:4	6'b010000	6-bit Manufacturer device model number
01.0003 bits 3:0	4'b0000	4-bit Manufacturer device revision number

(1) The identifier code is composed of bits 3-24 of 25-bit organizationally unique identifier (OUI) assigned to Texas Instruments by IEEE. The 6-bit Manufacturer device model number is unique to TLK10031. The 4-bit Manufacturer device revision number denotes the current revision of TLK10031.

**7.5.3.5 PMA\_SPEED\_ABILITY (register = 0x0004) (default = 0x0011) (device address: 0x01)**
**Figure 7-92. PMA\_SPEED\_ABILITY Register**

15	14	13	12	11	10	9	8
RESERVED							
RO							
7	6	5	4	3	2	1	0
RESERVED			SPEED_1G (RX)	RESERVED			SPEED_10G (RX)
RO			RO	RO			RO

LEGEND: R/W = Read/Write; R = Read only; -n = value after reset

**Table 7-74. PMA\_SPEED\_ABILITY Field Descriptions**

Bit	Field	Type	Reset	Description
15:5	RESERVED			For TI use only.
4	SPEED_1G (RX)	RO		Always reads 1. 1 = Capable of operating at 1000 Mb/s 0 = Not capable of operating at 1000 Mb/s
3:1	RESERVED			For TI use only.
0	SPEED_10G (RX)	RO		Always reads 1. 1 = Capable of operating at 10 Gb/s 0 = Not capable of operating at 10 Gb/s

**7.5.3.6 PMA\_DEV\_PACKAGE\_1 (register = 0x0005) (default = 0x000B) (device address: 0x01)**
**Figure 7-93. PMA\_DEV\_PACKAGE\_1 Register**

15	14	13	12	11	10	9	8
RESERVED							
RO							
7	6	5	4	3	2	1	0
RESERVED				PCS_ PRESENT (RX)	RESERVED	PMA_PMD_PR ESENT (RX)	CL22_PRESEN T (RX)
RO				RO	RO	RO	RO

LEGEND: R/W = Read/Write; R = Read only; -n = value after reset

**Table 7-75. PMA\_DEV\_PACKAGE\_1 Field Descriptions**

Bit	Field	Type	Reset	Description
15:4	RESERVED	RO		For TI use only.
3	PCS_PRESENT (RX)	RO		Always reads 1. 1 = PCS present in the package 0 = PCS not present in the package
2	RESERVED	RO		For TI use only.
1	PMA_PMD_PRESENT (RX)	RO		Always reads 1. 1 = PMA/PMD present in the package 0 = PMA/PMD not present in the package
0	CL22_PRESENT (RX)	RO		Always reads 1. 1 = Clause 22 registers present in the package 0 = Clause 22 registers not present in the package

### 7.5.3.7 PMA\_DEV\_PACKAGE\_2 (register = 0x0006) (default = 0x4000) (device address: 0x01)

**Figure 7-94. PMA\_DEV\_PACKAGE\_2 Register**

15	14	13	12	11	10	9	8
VS_DEV2_PRESENT (RX)	VS_DEV1_PRESENT (RX)	RESERVED					
RO	RO	RO					
7	6	5	4	3	2	1	0
RESERVED							
RO							

LEGEND: R/W = Read/Write; R = Read only; -n = value after reset

**Table 7-76. PMA\_DEV\_PACKAGE\_2 Field Descriptions**

Bit	Field	Type	Reset	Description
15	VS_DEV2_PRESENT (RX)	RO		Always reads 0. 1 = Vendor specific device 2 present in the package 0 = Vendor specific device 2 not present in the package
14	VS_DEV1_PRESENT (RX)	RO		Always reads 1. 1 = Vendor specific device 1 present in the package 0 = Vendor specific device 1 not present in the package
13:0	RESERVED			For TI use only.

### 7.5.3.8 PMA\_DEV\_PACKAGE\_2 (register = 0x0006) (default = 0x4000) (device address: 0x01)

**Figure 7-95. PMA\_DEV\_PACKAGE\_2 Register**

15	14	13	12	11	10	9	8
DEV_PRESENT (RX)		TX_FAULT_ABILITY (RX)	RX_FAULT_ABILITY (RX)	TX_FAULT (RX)	RX_FAULT (RX)	RESERVED	TX_DISABLE_ABILITY (RX)
RO		RO	RO	RO,LH	RO,LH		RO
7	6	5	4	3	2	1	0
RESERVED							
RO							

LEGEND: R/W = Read/Write; R = Read only; -n = value after reset

**Table 7-77. PMA\_DEV\_PACKAGE\_2 Field Descriptions**

Bit	Field	Type	Reset	Description
15:14	DEV_PRESENT (RX)	RO		Always reads 2'b10 0x = No device responding at this address 10 = Device responding at this address 11 = No device responding at this address
13	TX_FAULT_ABILITY (RX)	RO		Always reads 1'b1. 1 = Able to detect fault condition on Tx path 0 = Not able to detect fault condition on Tx path
12	RX_FAULT_ABILITY (RX)	RO		Always reads 1'b1. 1 = Able to detect fault condition on Rx path 0 = Not able to detect fault condition on Rx path
11	TX_FAULT (RX)	RO,LH		1 = Fault condition detected on transmit path 0 = No fault condition detected on transmit path
10	RX_FAULT (RX)	RO,LH		1 = Fault condition detected on receive path 0 = No fault condition detected on receive path
9	RESERVED			For TI use only.
8	TX_DISABLE_ABILITY (RX)	RO		Always reads 1'b0. 1 = Able to perform transmit disable function 0 = Not able to perform transmit disable function
7:0	RESERVED			For TI use only.

**7.5.3.9 PMA\_RX\_SIGNAL\_DET\_STATUS (register = 0x000A) (default = 0x0000) (device address: 0x01)**

**Figure 7-96. PMA\_RX\_SIGNAL\_DET\_STATUS Register**

15	14	13	12	11	10	9	8
RESERVED							
RO							
7	6	5	4	3	2	1	0
RESERVED							RX_SIGNAL_DET (RX)
RO							RO

LEGEND: R/W = Read/Write; R = Read only; -n = value after reset

**Table 7-78. PMA\_RX\_SIGNAL\_DET\_STATUS Field Descriptions**

Bit	Field	Type	Reset	Description
15:1	RESERVED	RO		For TI use only.
0	RX_SIGNAL_DET (RX)	RO		1 = Signal detected on serial Rx pins 0 = Signal not detected on serial Rx pins

**7.5.3.10 PMA\_EXTENDED\_ABILITY (register = 0x000B) (default = 0x0050) (device address: 0x01)**

**Figure 7-97. PMA\_EXTENDED\_ABILITY Registers**

15	14	13	12	11	10	9	8
RESERVED							
RO							
7	6	5	4	3	2	1	0
RESERVED	KX_ABILITY (RX)	RESERVED	KR_ABILITY (RX)	RESERVED			
RO	RO	RO	RO	RO			

LEGEND: R/W = Read/Write; R = Read only; -n = value after reset

**Table 7-79. PMA\_EXTENDED\_ABILITY Field Descriptions**

Bit	Field	Value	Reset	Description
15:7	RESERVED			For TI use only.
6	KX_ABILITY (RX)	RO		Always reads 1'b11 = Able to perform 1000BASE-KX 0 = Not able to perform 1000BASE-KX
5	RESERVED			For TI use only.
4	KR_ABILITY (RX)	RO		Always reads 1'b11 = Able to perform 10GBASE-KR 0 = Not able to perform 10GBASE-KR
3:0	RESERVED			For TI use only.

**7.5.3.11 LT\_TRAIN\_CONTROL (register = 0x0096) (default = 0x0002) (device address: 0x01)**

**Figure 7-98. LT\_TRAIN\_CONTROL Register**

15	14	13	12	11	10	9	8
RESERVED							
RW							
7	6	5	4	3	2	1	0
RESERVED						LT_TRAINING_	LT_RESTART_
						ENABLE	TRAINING
						(RXG)	(RXG)
RW						RW	RW/SC

LEGEND: R/W = Read/Write; R = Read only; -n = value after reset

**Table 7-80. LT\_TRAIN\_CONTROL Field Descriptions**

Bit	Field	Type	Reset	Description
15:2	RESERVED	RW		For TI use only. Always reads 0.
1	LT_TRAINING_ENABLE (RXG)	RW		1 = Enable start-up protocol as per 10GBASE-KR standard(Default 1'b1) 0 = Disable start-up protocol This bit should be set to HIGH for autotrain mode to function correctly
0	LT_RESTART_TRAINING (RXG)	RW/SC		1 = Reset link/auto train 0 = Normal operation (Default 1'b0)

**7.5.3.12 LT\_TRAIN\_STATUS (register = 0x0097) (default = 0x0000) (device address: 0x01)**

**Figure 7-99. LT\_TRAIN\_STATUS Register**

15	14	13	12	11	10	9	8
RESERVED							
RO							
7	6	5	4	3	2	1	0
RESERVED				LT_TRAINING_	LT_START_PR	LT_FRAME_LO	LT_RX_STATU
				FAIL	OTOCOL	CK	S
				(RXG)	(RXG)	(RXG)	(RXG)
RO				RO	RO	RO	RO

LEGEND: R/W = Read/Write; R = Read only; -n = value after reset

**Table 7-81. LT\_TRAIN\_STATUS Field Descriptions**

Bit	Field	Type	Reset	Description
15:4	RESERVED			For TI use only.
3	LT_TRAINING_FAIL (RXG)	RO		1 = Training failure has been detected 0 = Training failure has not been detected
2	LT_START_PROTOCOL (RXG)	RO		1 = Start up protocol in progress 0 = Start up protocol complete
1	LT_FRAME_LOCK (RXG)	RO		1 = Training frame delineation detected 0 = Training frame delineation not detected
0	LT_RX_STATUS (RXG)	RO		1 = Receiver trained and ready to receive data 0 = Receiver training in progress



**7.5.3.13 LT\_LINK\_PARTNER\_CONTROL (register = 0x0098) (default = 0x0000)  
(device address: 0x01)**
**Figure 7-100. LT\_LINK\_PARTNER\_CONTROL Register**

15	14	13	12	11	10	9	8
RESERVED		LT_LP_PRESET T (RXG)	LT_LP_INITIALIZE IZE (RXG)	RESERVED		LT_LP_COEFF_SWG _SWG (RXG)	RESERVED
		RO	RO			RO	
7	6	5	4	3	2	1	0
LT_LP_COEFF_PS2 _PS2 (RXG)	RESERVED	LT_LP_COEFF_P1 _P1 (RXG)	RESERVED	LT_LP_COEFF_0 _0 (RXG)	RESERVED	LT_LP_COEFF_M1 _M1 (RXG)	RESERVED
RO		RO		RO		RO	

LEGEND: R/W = Read/Write; R = Read only; -n = value after reset

**Table 7-82. LT\_LINK\_PARTNER\_CONTROL Field Descriptions**

Bit	Field	Type	Reset	Description
15:14	RESERVED			For TI use only.
13	LT_LP_PRESET (RXG)	RO		1 = KR preset coefficients 0 = Normal operation
12	LT_LP_INITIALIZE (RXG)	RO		1 = Initialize KR coefficients 0 = Normal operation
11:10	RESERVED			For TI use only.
9	LT_LP_COEFF_SWG (RXG)	RO		Swing update 11 = Reserved 01 = Increment 10 = Decrement 00 = Hold
8	RESERVED			For TI use only.
7	LT_LP_COEFF_PS2 (RXG)	RO		Post2 tap control update 11 = Reserved 01 = Increment 10 = Decrement 00 = Hold
6	RESERVED			For TI use only.
5	LT_LP_COEFF_P1 (RXG)	RO		Coefficient K(+1) update 11 = Reserved 01 = Increment 10 = Decrement 00 = Hold
4	RESERVED			For TI use only.
3	LT_LP_COEFF_0 (RXG)	RO		Coefficient K(0) update 11 = Reserved 01 = Increment 10 = Decrement 00 = Hold
2	RESERVED			For TI use only.
1	LT_LP_COEFF_M1 (RXG)	RO		Coefficient K(-1) update 11 = Reserved 01 = Increment 10 = Decrement 00 = Hold (Default 2'b00)
0	RESERVED			For TI use only.

**7.5.3.14 LT\_LINK\_PARTNER\_STATUS (register = 0x0099) (default = 0x0000) (device address: 0x01)**

**Figure 7-101. LT\_LINK\_PARTNER\_STATUS Register**

15	14	13	12	11	10	9	8
LT_LP_RX_READY (RXG)	RESERVED					LT_LP_COEFF_SWG_STAT (RXG)	
RO	RO					RO	
7	6	5	4	3	2	1	0
LT_LP_COEFF_PS2_STAT (RXG)	LT_LP_COEFF_P1_STAT (RXG)		LT_LP_COEFF_0_STAT (RXG)		LT_LP_COEFF_M1_STAT (RXG)		
RO	RO		RO		RO		

LEGEND: R/W = Read/Write; R = Read only; -n = value after reset

**Table 7-83. LT\_LINK\_PARTNER\_STATUS Field Descriptions**

Bit	Field	Type	Reset	Description
15	LT_LP_RX_READY (RXG)	RO		1 = LP receiver has determined that training is complete and prepared to receive data 0 = LP receiver is requesting that training continue
14:10	RESERVED			For TI use only.
9:8	LT_LP_COEFF_SWG_STAT (RXG)	RO		Swing update 11 = Maximum 01 = Updated 10 = Minimum 00 = Not updated
7:6	LT_LP_COEFF_PS2_STAT (RXG)	RO		Post2 tap control update 11 = Maximum 01 = Updated 10 = Minimum 00 = Not updated
5:4	LT_LP_COEFF_P1_STAT (RXG)	RO		Coefficient K(+1) update 11 = Maximum 01 = Updated 10 = Minimum 00 = Not updated
3:2	LT_LP_COEFF_0_STAT (RXG)	RO		Coefficient K(0) update 11 = Maximum 01 = Updated 10 = Minimum 00 = Not updated
1:0	LT_LP_COEFF_M1_STAT (RXG)	RO		Coefficient K(-1) update 11 = Maximum 01 = Updated 10 = Minimum 00 = Not updated

**7.5.3.15 LT\_LOCAL\_DEVICE\_CONTROL (register = 0x009A) (default = 0x0000)  
(device address: 0x01)**
**Figure 7-102. LT\_LOCAL\_DEVICE\_CONTROL Register**

15	14	13	12	11	10	9	8
RESERVED		LT_LD_PRESET (RXG)	LT_LD_INITIALIZE (RXG)	RESERVED		LT_LD_COEFF_SWG (RXG)	
RO		RO		RO		RO	RO
7	6	5	4	3	2	1	0
LT_LD_COEFF_PS2 (RXG)		LT_LD_COEFF_P1 (RXG)		LT_LD_COEFF_0 (RXG)		LT_LD_COEFF_M1 (RXG)	
RO		RO		RO		RO	

LEGEND: R/W = Read/Write; R = Read only; -n = value after reset

**Table 7-84. LT\_LOCAL\_DEVICE\_CONTROL Field Descriptions**

Bit	Field	Type	Reset	Description
15:14	RESERVED	RO		For TI use only. Always reads 0.
13	LT_LD_PRESET (RXG)	RO		1 = KR preset coefficients 0 = Normal operation (Default 1'b0)
12	LT_LD_INITIALIZE (RXG)	RO		1 = Initialize KR coefficients 0 = Normal operation (Default 1'b0)
11:10	RESERVED	RO		For TI use only. Always reads 0.
9:8	LT_LD_COEFF_SWG (RXG)	RO		Swing update 11 = Reserved 01 = Increment 10 = Decrement 00 = Hold (Default 2'b00)
7:6	LT_LD_COEFF_PS2 (RXG)	RO		Post2 tap control update 11 = Reserved 01 = Increment 10 = Decrement 00 = Hold (Default 2'b00)
5:4	LT_LD_COEFF_P1 (RXG)	RO		Coefficient K(+1) update 11 = Reserved 01 = Increment 10 = Decrement 00 = Hold (Default 2'b00)
3:2	LT_LD_COEFF_0 (RXG)	RO		Coefficient K(0) update 11 = Reserved 01 = Increment 10 = Decrement 00 = Hold (Default 2'b00)
1:0	LT_LD_COEFF_M1 (RXG)	RO		Coefficient K(-1) update 11 = Reserved 01 = Increment 10 = Decrement 00 = Hold (Default 2'b00)

**7.5.3.16 LT\_LOCAL\_DEVICE\_STATUS (register = 0x009B) (default = 0x0000)  
(device address: 0x01)**

**Figure 7-103. LT\_LOCAL\_DEVICE\_STATUS Register**

15	14	13	12	11	10	9	8
LT_LD_RX_READY (RXG)	RESERVED						
RO	RO						
7	6	5	4	3	2	1	0
RESERVED			LT_LD_COEFF_P1_STAT (RXG)	LT_LD_COEFF_0_STAT (RXG)		LT_LD_COEFF_M1_STAT (RXG)	
RO			RO	RO		RO	

LEGEND: R/W = Read/Write; R = Read only; -n = value after reset

**Table 7-85. LT\_LOCAL\_DEVICE\_STATUS Field Descriptions**

Bit	Field	Type	Reset	Description
15	LT_LD_RX_READY (RXG)	RO		1 = LD receiver has determined that training is complete and prepared to receive data 0 = LD receiver is requesting that training continue
14:5	RESERVED	RO		For TI use only.
4	LT_LD_COEFF_P1_STAT (RXG)	RO		Coefficient K(+1) update 11 = Maximum 01 = Updated 10 = Minimum 00 = Not updated
3:2	LT_LD_COEFF_0_STAT (RXG)	RO		Coefficient K(0) update 11 = Maximum 01 = Updated 10 = Minimum 00 = Not updated
1:0	LT_LD_COEFF_M1_STAT (RXG)	RO		Coefficient K(-1) update 11 = Maximum 01 = Updated 10 = Minimum 00 = Not updated

**7.5.3.17 KX\_STATUS (register = 0x00A1) (default = 0x3000) (device address: 0x01)**
**Figure 7-104. KX\_STATUS Register**

15	14	13	12	11	10	9	8
RESERVED		KX_TX_FAULT_ABILITY (X)	KX_RX_FAULT_ABILITY (X)	KX_TX_FAULT (X)	KX_RX_FAULT (X)	RESERVED	
RO		RO	RO	RO/LH	RO/LH	RO	
7	6	5	4	3	2	1	0
RESERVED							KX_RX_SIGNAL_DETECT (X)
RO							RO

LEGEND: R/W = Read/Write; R = Read only; -n = value after reset

**Table 7-86. KX\_STATUS Field Descriptions**

Bit	Field	Type	Reset	Description
15:14	RESERVED	RO		For TI use only.
13	KX_TX_FAULT_ABILITY (X)	RO		Always reads 1. 1 = Able to detect fault condition on transmit path 0 = Not able to detect fault condition on transmit path
12	KX_RX_FAULT_ABILITY (X)	RO		Always reads 1. 1 = Able to detect fault condition on receive path 0 = Not able to detect fault condition on receive path
11	KX_TX_FAULT (X)	RO/LH		1 = Fault condition detected on transmit path 0 = No fault condition detected on transmit path
10	KX_RX_FAULT (X)	RO/LH		1 = Fault condition detected on receive path 0 = No fault condition detected on receive path
9:1	RESERVED	RO		For TI use only.
0	KX_RX_SIGNAL_DETECT (X)	RO		1 = Signal detected 0 = Signal not detected

**7.5.3.18 KR\_FEC\_ABILITY (register = 0x00AA) (default = 0x0003) (device address: 0x01)**
**Figure 7-105. KR\_FEC\_ABILITY Register**

15	14	13	12	11	10	9	8
RESERVED							
RO							
7	6	5	4	3	2	1	0
RESERVED						KR_FEC_ERR_ABILITY (R)	KR_FEC_ABILITY (R)
RO						RO	RO

LEGEND: R/W = Read/Write; R = Read only; -n = value after reset

**Table 7-87. KR\_FEC\_ABILITY Field Descriptions**

Bit	Field	Type	Reset	Description
15:2	RESERVED	RO		For TI use only.
1	KR_FEC_ERR_ABILITY (R)	RO		Always reads 1. 1 = Device supports 10GBASE-R FEC error indication to PCS 0 = Device does not support 10GBASE-R FEC function error indication tx PCS
0	KR_FEC_ABILITY (R)	RO		Always reads 1. 1 = Device supports 10GBASE-R FEC function 0 = Device does not support 10GBASE-R FEC function

**7.5.3.19 KR\_FEC\_CONTROL (register = 0x00AB) (default = 0x0000) (device address: 0x01)**

**Figure 7-106. KR\_FEC\_CONTROL Register**

15	14	13	12	11	10	9	8
RESERVED							
RW							
7	6	5	4	3	2	1	0
RESERVED						KR_FEC_ERR_INDEN (R)	KR_FEC_EN (R)
RW						RW	RW

LEGEND: R/W = Read/Write; R = Read only; -n = value after reset

**Table 7-88. KR\_FEC\_CONTROL Field Descriptions**

Bit	Field	Type	Reset	Description
15:2	RESERVED	RW		For TI use only. Always reads 0.
1	KR_FEC_ERR_IND_EN (R)	RW		1 = Enable FEC decoder to indicate errors to PCS 0 = Disable FEC decoder error indication to PCS (Default 1'b0)
0	KR_FEC_EN (R)	RW		1 = Enable 10GBASE-R FEC function 0 = Disable 10GBASE-R FEC function (Default 1'b0)

**7.5.3.20 KR\_FEC\_C\_COUNT\_1 (register = 0x00AC) (default = 0x0000) (device address: 0x01)**

**Figure 7-107. KR\_FEC\_C\_COUNT\_1 Register**

15	14	13	12	11	10	9	8	7	6	5	4	3	2	1	0
KR_FEC_C_COUNT[15:0] (R)															
COR															

LEGEND: R/W = Read/Write; R = Read only; -n = value after reset

**Table 7-89. KR\_FEC\_C\_COUNT\_1<sup>(1)</sup> Field Descriptions**

Bit	Field	Type	Reset	Description
15:0	KR_FEC_C_COUNT[15:0] (R)	COR		Lower 16 bits of FEC corrected blocks counter

(1) To get correct 32 bit counter value of KR\_FEC\_C\_COUNT, Register 01.00AC should be read first followed by Register 01.00AD

**7.5.3.21 KR\_FEC\_C\_COUNT\_2 (register = 0x00AD) (default = 0x0000) (device address: 0x01)**

**Figure 7-108. KR\_FEC\_C\_COUNT\_2 Register**

15	14	13	12	11	10	9	8	7	6	5	4	3	2	1	0
KR_FEC_C_COUNT[31:16] (R)															
COR															

LEGEND: R/W = Read/Write; R = Read only; -n = value after reset

**Table 7-90. KR\_FEC\_C\_COUNT\_2 Field Descriptions**

Bit	Field	Type	Reset	Description
15:0	KR_FEC_C_COUNT[31:16] (R)	COR		Upper 16 bits of FEC corrected blocks counter

**7.5.3.22 KR\_FEC\_UC\_COUNT\_1 (register = 0x00AE) (default = 0x0000)  
(device address: 0x01)**
**Figure 7-109. KR\_FEC\_UC\_COUNT\_1 Register**

15	14	13	12	11	10	9	8	7	6	5	4	3	2	1	0
KR_FEC_UC_COUNT[15:0] (R)															
COR															

LEGEND: R/W = Read/Write; R = Read only; -n = value after reset

**Table 7-91. KR\_FEC\_UC\_COUNT\_1<sup>(1)</sup> Field Descriptions**

Bit	Field	Type	Reset	Description
15:0	KR_FEC_UC_COUNT[15:0] (R)	COR		Lower 16 bits of FEC Uncorrected blocks counter

(1) To get correct 32 bit counter value of KR\_FEC\_UC\_COUNT, Register 01.00AE should be read first followed by Register 01.00AF

**7.5.3.23 KR\_FEC\_UC\_COUNT\_2 (register = 0x00AF) (default = 0x0000)  
(device address: 0x01)**
**Figure 7-110. KR\_FEC\_UC\_COUNT\_2 Register**

15	14	13	12	11	10	9	8	7	6	5	4	3	2	1	0
KR_FEC_UC_COUNT[31:16] (R)															
COR															

LEGEND: R/W = Read/Write; R = Read only; -n = value after reset

**Table 7-92. KR\_FEC\_UC\_COUNT\_2 Field Descriptions**

Bit	Field	Type	Reset	Description
15:0	KR_FEC_UC_COUNT[31:16] (R)	COR		Lower 16 bits of FEC Uncorrected blocks counter

**7.5.3.24 KR\_VS\_FIFO\_CONTROL\_1 (register = 0x8001) (default = 0xCC4C)  
(device address: 0x01)**

**Figure 7-111. KR\_VS\_FIFO\_CONTROL\_1 Register**

15	14	13	12	11	10	9	8
RESERVED	RX_FIFO_DEPTH[2:0] (R)		RX_CTC_WMK_SEL[1:0] (R)		RX_Q_CNT_IPG (R)	RX_CTC_Q_DROP_EN (R)	
RW							
7	6	5	4	3	2	1	0
XMIT_IDLE (R)	TX_FIFO_DEPTH[2:0] (R)		TX_CTC_WMK_SEL[1:0] (R)		TX_Q_CNT_IPG (R)	TX_CTC_Q_DROP_EN (R)	
RW		RW		RW		RW	

LEGEND: R/W = Read/Write; R = Read only; -n = value after reset

**Table 7-93. KR\_VS\_FIFO\_CONTROL\_1 Field Descriptions**

Bit	Name	Type	Reset	Description																									
15	RESERVED	RW		For TI use only (Default 1'b1)																									
14:12	RX_FIFO_DEPTH[2:0] (R)	RW		Rx CTC FIFO depth selection 1xx = 32 deep (Default 3'b100) 011 = 24 deep 010 = 16 deep 001 = 12 deep 000 = 8 deep (No CTC function)																									
11:10	RX_CTC_WMK_SEL[1:0] (R)	RW		Water mark selection for receive CTC Works in conjunction with RX_FIFO_DEPTH_SEL setting (Default 2'b11) <table border="1" style="margin-left: 20px;"> <thead> <tr> <th>Depth-&gt;</th> <th>32</th> <th>24</th> <th>26</th> <th>12/8</th> </tr> </thead> <tbody> <tr> <td>11</td> <td>High</td> <td>High</td> <td>High</td> <td>NA</td> </tr> <tr> <td>10</td> <td>Mid-high</td> <td>Mid</td> <td>High</td> <td></td> </tr> <tr> <td>01</td> <td>Mid</td> <td>Low</td> <td>Low</td> <td></td> </tr> <tr> <td>00</td> <td>Low</td> <td>Low</td> <td>Low</td> <td></td> </tr> </tbody> </table>	Depth->	32	24	26	12/8	11	High	High	High	NA	10	Mid-high	Mid	High		01	Mid	Low	Low		00	Low	Low	Low	
Depth->	32	24	26	12/8																									
11	High	High	High	NA																									
10	Mid-high	Mid	High																										
01	Mid	Low	Low																										
00	Low	Low	Low																										
9	RX_Q_CNT_IPG (R)	RW		0 = Normal operation. (Default 1'b0) 1 = Sequence columns are counted as IPG.																									
8	RX_CTC_Q_DROP_EN (R)	RW		0 = Normal operation. (Default 1'b0) 1 = Enable Q column drop in RX CTC.																									
7	XMIT_IDLE (R)	RW		1 = Transmit idle pattern onto LS side 0 = Normal operation (Default 1'b0)																									
6:4	TX_FIFO_DEPTH[2:0] (R)	RW		Tx CTC FIFO depth selection 1xx = 32 deep (Default 3'b100) 011 = 24 deep 010 = 16 deep 001 = 12 deep 000 = 8 deep (No CTC function)																									
3:2	TX_CTC_WMK_SEL[1:0] (R)	RW		Water mark selection for receive CTC Works in conjunction with TX_FIFO_DEPTH_SEL setting (Default 2'b11) <table border="1" style="margin-left: 20px;"> <thead> <tr> <th>Depth-&gt;</th> <th>32</th> <th>24</th> <th>26</th> <th>12/8</th> </tr> </thead> <tbody> <tr> <td>11</td> <td>High</td> <td>High</td> <td>High</td> <td>NA</td> </tr> <tr> <td>10</td> <td>Mid-high</td> <td>Mid</td> <td>High</td> <td></td> </tr> <tr> <td>01</td> <td>Mid</td> <td>Low</td> <td>Low</td> <td></td> </tr> <tr> <td>00</td> <td>Low</td> <td>Low</td> <td>Low</td> <td></td> </tr> </tbody> </table>	Depth->	32	24	26	12/8	11	High	High	High	NA	10	Mid-high	Mid	High		01	Mid	Low	Low		00	Low	Low	Low	
Depth->	32	24	26	12/8																									
11	High	High	High	NA																									
10	Mid-high	Mid	High																										
01	Mid	Low	Low																										
00	Low	Low	Low																										
1	TX_Q_CNT_IPG (R)	RW		0 = Normal operation. (Default 1'b0) 1 = Sequence columns are counted as IPG.																									
0	TX_CTC_Q_DROP_EN (R)	RW		0 = Normal operation. (Default 1'b0) 1 = Enable Q column drop in TX CTC																									



**7.5.3.25 KR\_VS\_TP\_GEN\_CONTROL (register =0x8002) (default = 0x0000)  
(device address: 0x01)**
**Figure 7-112. KR\_VS\_TP\_GEN\_CONTROL Register**

15	14	13	12	11	10	9	8
RESERVED							
RW							
7	6	5	4	3	2	1	0
RESERVED		RX_TPG_HLM_TEST_SEL[1:0] (R)	RX_TPG_CRP AT_TEST_EN (R)	RX_TPG_CJPA T_TEST_EN (R)	RX_TPG_10GF C_TEST_EN (R)	RX_TPG_HLM _TEST_EN (R)	
RW		RW	RW	RW	RW	RW	

LEGEND: R/W = Read/Write; R = Read only; -n = value after reset

**Table 7-94. KR\_VS\_TP\_GEN\_CONTROL Field Descriptions**

Bit	Name	Type	Reset	Description
15:6	RESERVED			For TI use only. Always reads 0.
5:4	RX_TPG_HLM_TEST_SEL[1:0] (R)	RW		XAUI based test pattern selection on LS side. See Test pattern procedures for more information. 00 = High Frequency test pattern(Default 2'b00) 01 = Low Frequency test pattern 10 = Mixed Frequency test pattern 11 = Normal operation
3	RX_TPG_CRPAT_TEST_EN (R)	RW		XAUI based test pattern selection on LS side. See Test pattern procedures for more information. 0 = Normal operation. (Default 1'b0) 1 = Enables CRPAT test pattern generation
2	RX_TPG_CJPAT_TEST_EN (R)	RW		XAUI based test pattern selection on LS side. See Test pattern procedures for more information. 0 = Normal operation. (Default 1'b0) 1 = Enables CJPAT test pattern generation
1	RX_TPG_10GFC_TEST_EN (R)	RW		XAUI based test pattern selection on LS side. See Test pattern procedures for more information. 0 = Normal operation. (Default 1'b0) 1 = Enables 10 GFC CJPAT test pattern generation
0	RX_TPG_HLM_TEST_EN (R)	RW		XAUI based test pattern selection on LS side. See Test pattern procedures for more information. 0 = Normal operation. (Default 1'b0) 1 = Enables H/L/M test pattern generation

### 7.5.3.26 KR\_VS\_TP\_VER\_CONTROL (register = 0x8003) (default = 0x0000) (device address: 0x01)

**Figure 7-113. KR\_VS\_TP\_VER\_CONTROL Register**

15	14	13	12	11	10	9	8
RESERVED		TX_TPV_HLM_TEST_SEL[1:0] (R)	TX_TPV_CRPAT_T EST_EN (R)	TX_TPV_CJPAT_T EST_EN (R)	TX_TPV_10GFC_T EST_EN (R)	TX_TPV_HLM_TES T_EN (R)	
RW		RW	RW	RW	RW	RW	
7	6	5	4	3	2	1	0
RESERVED							
RW							

LEGEND: R/W = Read/Write; R = Read only; -n = value after reset

**Table 7-95. KR\_VS\_TP\_VER\_CONTROL Field Descriptions**

Bit	Name	Type	Reset	Description
15:14	RESERVED	RW		For TI use only. Always reads 0.
13:12	TX_TPV_HLM_TEST_SEL[1:0] (R)	RW		XAUI based test pattern selection on LS side. See Test pattern procedures for more information. 00 = High Frequency test pattern(Default 2'b00) 01 = Low Frequency test pattern 10 = Mixed Frequency test pattern 11 = Normal operation
11	TX_TPV_CRPAT_TEST_EN (R)	RW		XAUI based test pattern selection on LS side. See Test pattern procedures for more information. 0 = Normal operation. (Default 1'b0) 1 = Enables CRPAT test pattern verification
10	TX_TPV_CJPAT_TEST_EN (R)	RW		XAUI based test pattern selection on LS side. See Test pattern procedures for more information. 0 = Normal operation. (Default 1'b0) 1 = Enables CJPAT test pattern verification
9	TX_TPV_10GFC_TEST_EN (R)	RW		XAUI based test pattern selection on LS side. See Test pattern procedures for more information. 0 = Normal operation. (Default 1'b0) 1 = Enables 10 GFC CJPAT test pattern verification
8	TX_TPV_HLM_TEST_EN (R)	RW		XAUI based test pattern selection on LS side. See Test pattern procedures for more information. 0 = Normal operation. (Default 1'b0) 1 = Enables HL/M test pattern verification
7:0	RESERVED	RW		For TI use only(Default 8'b00000000)

### 7.5.3.27 KR\_VS\_CTC\_ERR\_CODE\_LN0 (register = 0x8005) (default = 0xCE00) (device address: 0x01)

**Figure 7-114. KR\_VS\_CTC\_ERR\_CODE\_LN0 Register**

15	14	13	12	11	10	9	8	7	6	5	4	3	2	1	0
KR_CTC_ERR_CODE_LN0 (R)										RESERVED					
RW										RW					

LEGEND: R/W = Read/Write; R = Read only; -n = value after reset

**Table 7-96. KR\_VS\_CTC\_ERR\_CODE\_LN0 Field Descriptions**

Bit	Name	Type	Reset	Description
15:7	KR_CTC_ERR_CODE_LN0 (R)	RW		Applicable in 10G-KR mode only. XGMII code to be transmitted in case of error condition. This applies to both TX and RX data paths. The msb is the control bit; remaining 8 bits constitute the error code. The default value for lane 0 corresponds to 8'h9C with the control bit being 1'b1. The default values for lanes 0~3 correspond to   LF
6:0	RESERVED	RW		For TI use only. Always reads 0.

**7.5.3.28 KR\_VS\_CTC\_ERR\_CODE\_LN1 (register = 0x8006) (default = 0x0000)  
(device address: 0x01)**
**Figure 7-115. KR\_VS\_CTC\_ERR\_CODE\_LN1 Register**

15	14	13	12	11	10	9	8	7	6	5	4	3	2	1	0
KR_CTC_ERR_CODE_LN1 (R)								RESERVED							
RW								RW							

LEGEND: R/W = Read/Write; R = Read only; -n = value after reset

**Table 7-97. KR\_VS\_CTC\_ERR\_CODE\_LN1 Field Descriptions**

Bit	Name	Type	Reset	Description
15:7	KR_CTC_ERR_CODE_LN1 (R)	RW		Applicable in 10G-KR mode only. XGMII code to be transmitted in case of error condition. This applies to both TX and RX data paths. The msb is the control bit; remaining 8 bits constitute the error code. The default value for lane 1 corresponds to 8'h00 with the control bit being 1'b0. The default values for lanes 0–3 correspond to   LF
6:0	RESERVED	RW		For TI use only. Always reads 0.

**7.5.3.29 KR\_VS\_CTC\_ERR\_CODE\_LN2 (register = 0x8007) (default = 0x0000)  
(device address: 0x01)**
**Figure 7-116. KR\_VS\_CTC\_ERR\_CODE\_LN2 Register**

15	14	13	12	11	10	9	8	7	6	5	4	3	2	1	0
KR_CTC_ERR_CODE_LN2 (R)								RESERVED							
RW								RW							

LEGEND: R/W = Read/Write; R = Read only; -n = value after reset

**Table 7-98. KR\_VS\_CTC\_ERR\_CODE\_LN2 Field Descriptions**

Bit(s)	Name	Type	Reset	Description
15:7	KR_CTC_ERR_CODE_LN2 (R)	RW		Applicable in 10G-KR mode only. XGMII code to be transmitted in case of error condition. This applies to both TX and RX data paths. The msb is the control bit; remaining 8 bits constitute the error code. The default value for lane 2 corresponds to 8'h00 with the control bit being 1'b0. The default values for lanes 0–3 correspond to   LF
6:0	RESERVED	RW		For TI use only. Always reads 0.

**7.5.3.30 KR\_VS\_CTC\_ERR\_CODE\_LN3 (register = 0x8008) (default = 0x0080) (device address: 0x01)**

**Figure 7-117. KR\_VS\_CTC\_ERR\_CODE\_LN3 Register**

15	14	13	12	11	10	9	8	7	6	5	4	3	2	1	0
KR_CTC_ERR_CODE_LN3 (R)										RESERVED					
RW										RW					

LEGEND: R/W = Read/Write; R = Read only; -n = value after reset

**Table 7-99. KR\_VS\_CTC\_ERR\_CODE\_LN3 Field Descriptions**

Bit	Name	Type	Reset	Description
15:7	KR_CTC_ERR_CODE_LN3 (R)	RW		Applicable in 10G-KR mode only. XGMII code to be transmitted in case of error condition. This applies to both TX and RX data paths. The msb is the control bit; remaining 8 bits constitute the error code. The default value for lane 3 corresponds to 8'h01 with the control bit being 1'b0. The default values for lanes 0-3 correspond to   LF
6:0	RESERVED	RW		For TI use only. Always reads 0.

**7.5.3.31 KR\_VS\_LN0\_EOP\_ERROR\_COUNTER (register = 0x8010) (default = 0xFFFFD) (device address: 0x01)**

**Figure 7-118. KR\_VS\_LN0\_EOP\_ERROR\_COUNTER Register**

15	14	13	12	11	10	9	8	7	6	5	4	3	2	1	0
KR_LN0_EOP_ERR_COUNT (R)															
COR															

LEGEND: R/W = Read/Write; R = Read only; -n = value after reset

**Table 7-100. KR\_VS\_LN0\_EOP\_ERROR\_COUNTER Field Descriptions**

Bit	Name	Type	Reset	Description
15:0	KR_LN0_EOP_ERR_COUNT (R)	COR		Lane 0 End of packet Error counter. End of packet error is detected when Terminate character is in lane 0 and 1 or both of the following holds: <ul style="list-style-type: none"> <li>• Terminate character is not followed by /K/ characters in lanes 1, 2 &amp; 3</li> <li>• The column following the terminate column is neither   K   nor   A  .</li> </ul> Counter value cleared to 16'h0000 when read.

**7.5.3.32 KR\_VS\_LN1\_EOP\_ERROR\_COUNTER (register = 0x8011) (default = 0xFFFFD) (device address: 0x01)**

**Figure 7-119. KR\_VS\_LN1\_EOP\_ERROR\_COUNTER Register**

15	14	13	12	11	10	9	8	7	6	5	4	3	2	1	0
KR_LN1_EOP_ERR_COUNT (R)															
COR															

LEGEND: R/W = Read/Write; R = Read only; -n = value after reset

**Table 7-101. KR\_VS\_LN1\_EOP\_ERROR\_COUNTER Field Descriptions**

Bit	Name	Type	Reset	Description
15:0	KR_LN1_EOP_ERR_COUNT (R)	COR		Lane 1 End of packet Error counter. End of packet error is detected when Terminate character is in lane 1 and one or both of the following holds: <ul style="list-style-type: none"> <li>• Terminate character is not followed by /K/ characters in lanes 1, 2 &amp; 3</li> <li>• The column following the terminate column is neither   K   nor   A  .</li> </ul> Counter value cleared to 16'h0000 when read.

**7.5.3.33 KR\_VS\_LN2\_EOP\_ERROR\_COUNTER (register = 0x8012) (default = 0xFFFFD) (device address: 0x01)**
**Figure 7-120. KR\_VS\_LN2\_EOP\_ERROR\_COUNTER Register**

15	14	13	12	11	10	9	8	7	6	5	4	3	2	1	0
KR_LN2_EOP_ERR_COUNT (R)															
COR															

LEGEND: R/W = Read/Write; R = Read only; -n = value after reset

**Table 7-102. KR\_VS\_LN2\_EOP\_ERROR\_COUNTER Field Descriptions**

Bit	Name	Type	Reset	Description
15:0	KR_LN1_EOP_ERR_COUNT (R)	COR		Lane 2 End of packet Error counter. End of packet error is detected when Terminate character is in lane 2 and 1 or both of the following holds: <ul style="list-style-type: none"> <li>• Terminate character is not followed by /K/ characters in lanes 1, 2 &amp; 3</li> <li>• The column following the terminate column is neither   K   nor   A  .</li> </ul> Counter value cleared to 16'h0000 when read.

**7.5.3.34 KR\_VS\_LN3\_EOP\_ERROR\_COUNTER (register =0x8013 ) (default = 0xFFFFD) (device address: 0x01)**
**Figure 7-121. KR\_VS\_LN3\_EOP\_ERROR\_COUNTER Register**

15	14	13	12	11	10	9	8	7	6	5	4	3	2	1	0
KR_LN3_EOP_ERR_COUNT (R)															
COR															

LEGEND: R/W = Read/Write; R = Read only; -n = value after reset

**Table 7-103. KR\_VS\_LN3\_EOP\_ERROR\_COUNTER Field Descriptions**

Bit(s)	Name	Type	Reset	Description
15:0	KR_LN3_EOP_ERR_COUNT (R)	COR		Lane 3 End of packet Error counter. End of packet error is detected when Terminate character is in lane 3 and the column following the terminate column is neither   K   nor   A  . Counter value cleared to 16'h0000 when read.

**7.5.3.35 KR\_VS\_TX\_CTC\_DROP\_COUNT (register = 0x8014) (default = 0xFFFFD) (device address: 0x01)**

**Figure 7-122. KR\_VS\_TX\_CTC\_DROP\_COUNT Register**

15	14	13	12	11	10	9	8	7	6	5	4	3	2	1	0
TX_CTC_DROP_COUNT (R)															
COR															

LEGEND: R/W = Read/Write; R = Read only; -n = value after reset

**Table 7-104. KR\_VS\_TX\_CTC\_DROP\_COUNT Field Descriptions**

Bit	Field	Type	Reset	Description
15:0	TX_CTC_DROP_COUNT (R)	COR		Counter for number of idle drops in the transmit CTC.

**7.5.3.36 KR\_VS\_TX\_CTC\_INSERT\_COUNT (register = 0x8015) (default = 0xFFFFD) (device address: 0x01)**

**Figure 7-123. KR\_VS\_TX\_CTC\_INSERT\_COUNT Register**

15	14	13	12	11	10	9	8	7	6	5	4	3	2	1	0
TX_CTC_INS_COUNT (R)															
COR															

LEGEND: R/W = Read/Write; R = Read only; -n = value after reset

**Table 7-105. KR\_VS\_TX\_CTC\_INSERT\_COUNT Field Descriptions**

Bit	Field	Type	Reset	Description
15:0	TX_CTC_INS_COUNT (R)	COR		Counter for number of idle inserts in the transmit CTC.

**7.5.3.37 KR\_VS\_RX\_CTC\_DROP\_COUNT (register = 0x8016) (default = 0xFFFFD) (device address: 0x01)**

**Figure 7-124. KR\_VS\_RX\_CTC\_DROP\_COUNT Register**

15	14	13	12	11	10	9	8	7	6	5	4	3	2	1	0
RX_CTC_DROP_COUNT (R)															
COR															

LEGEND: R/W = Read/Write; R = Read only; -n = value after reset

**Table 7-106. KR\_VS\_RX\_CTC\_DROP\_COUNT Field Descriptions**

Bit	Field	Type	Reset	Description
15:0	RX_CTC_DROP_COUNT (R)	COR		Counter for number of idle drops in the receive CTC.

**7.5.3.38 KR\_VS\_RX\_CTC\_INSERT\_COUNT (register = 0x8017) (default = 0xFFFF) (device address: 0x01)**
**Figure 7-125. KR\_VS\_RX\_CTC\_INSERT\_COUNT Register**

15	14	13	12	11	10	9	8	7	6	5	4	3	2	1	0
RX_CTC_INS_COUNT (R)															
COR															

LEGEND: R/W = Read/Write; R = Read only; -n = value after reset

**Table 7-107. KR\_VS\_RX\_CTC\_INSERT\_COUNT Field Descriptions**

Bit	Field	Type	Reset	Description
15:0	RX_CTC_INS_COUNT (R)	COR		Counter for number of idle inserts in the receive CTC.

**7.5.3.39 KR\_VS\_STATUS\_1 (register = 0x8018) (default = 0x0000) (device address: 0x01)**
**Figure 7-126. KR\_VS\_STATUS\_1 Register**

15	14	13	12	11	10	9	8
TX_TPV_TP_SYNC (R)		RESERVED					
RO		RO					
7	6	5	4	3	2	1	0
RESERVED		INVALID_S_COL_ERR (R)	INVALID_T_COL_ERR (R)	INVALID_XGMII_LN3 (R)	INVALID_XGMII_LN2 (R)	INVALID_XGMII_LN1 (R)	INVALID_XGMII_LN0 (R)
RO		RO/LH	RO/LH	RO/LH	RO/LH	RO/LH	RO/LH

LEGEND: R/W = Read/Write; R = Read only; -n = value after reset

**Table 7-108. KR\_VS\_STATUS\_1 Field Descriptions**

Bit	Field	Type	Reset	Description
15	TX_TPV_TP_SYNC (R)	RO		0 = Test pattern sync is not achieved on on Tx side 1 = Test pattern sync is achieved on on Tx side
14:6	RESERVED	RO		For TI use only
5	INVALID_S_COL_ERR (R)	RO/LH		1 = Indicates invalid start (S) column error detected
4	INVALID_T_COL_ERR (R)	RO/LH		1 = Indicates invalid terminate (T) column error detected
3	INVALID_XGMII_LN3 (R)	RO/LH		1 = Indicates invalid XGMII character detected in Lane 3
2	INVALID_XGMII_LN2 (R)	RO/LH		1 = Indicates invalid XGMII character detected in Lane 2
1	INVALID_XGMII_LN1 (R)	RO/LH		1 = Indicates invalid XGMII character detected in Lane 1
0	INVALID_XGMII_LN0 (R)	RO/LH		1 = Indicates invalid XGMII character detected in Lane 0

**7.5.3.40 KR\_VS\_TX\_CRCJ\_ERR\_COUNT\_1 (register = 0x8019) (default = 0xFFFF)  
(device address: 0x01)**

**Figure 7-127. KR\_VS\_TX\_CRCJ\_ERR\_COUNT\_1 Register**

15	14	13	12	11	10	9	8	7	6	5	4	3	2	1	0
TX_TPV_CR_CJ_ERR_COUNT[31:16] (R)															
COR															

LEGEND: R/W = Read/Write; R = Read only; -n = value after reset

**Table 7-109. KR\_VS\_TX\_CRCJ\_ERR\_COUNT\_1 Field Descriptions**

Bit	Field	Type	Reset	Description
15:0	TX_TPV_CR_CJ_ERR_COUNT[31:16] (R)	COR		Error Counter for CR/CJ test pattern verification on Tx side. MSBs [31:16]

**7.5.3.41 KR\_VS\_TX\_CRCJ\_ERR\_COUNT\_2 (register = 0x801A) (default = 0xFFFFD)  
(device address: 0x01)**

**Figure 7-128. KR\_VS\_TX\_CRCJ\_ERR\_COUNT\_2 Register**

15	14	13	12	11	10	9	8	7	6	5	4	3	2	1	0
TX_TPV_CR_CJ_ERR_COUNT[15:0] (R)															
COR															

LEGEND: R/W = Read/Write; R = Read only; -n = value after reset

**Table 7-110. KR\_VS\_TX\_CRCJ\_ERR\_COUNT\_2 Field Descriptions**

Bit	Field	Type	Reset	Description
15:0	TX_TPV_CR_CJ_ERR_COUNT[15:0] (R)	COR		Error Counter for CR/CJ test pattern verification on Tx side. MSBs [15:0]

**7.5.3.42 KR\_VS\_TX\_LN0\_HLM\_ERR\_COUNT (register = 0x801B) (default = 0xFFFFD)  
(device address: 0x01)**

**Figure 7-129. KR\_VS\_TX\_LN0\_HLM\_ERR\_COUNT Register**

15	14	13	12	11	10	9	8	7	6	5	4	3	2	1	0
TX_TPV_LN0_ERR_COUNT[15:0] (R)															
COR															

LEGEND: R/W = Read/Write; R = Read only; -n = value after reset

**Table 7-111. KR\_VS\_TX\_LN0\_HLM\_ERR\_COUNT Field Descriptions**

Bit	Field	Value	Reset	Description
15:0	TX_TPV_LN0_ERR_COUNT[15:0] (R)	COR		Error Counter for H/L/M test pattern verification on Lane 0 of Tx side



**7.5.3.43 KR\_VS\_TX\_LN1\_HLM\_ERR\_COUNT (register = 0x801C) (default = 0xFFFFD) (device address: 0x01)**

**Figure 7-130. KR\_VS\_TX\_LN1\_HLM\_ERR\_COUNT Register**

15	14	13	12	11	10	9	8	7	6	5	4	3	2	1	0
TX_TPV_LN1_ERR_COUNT[15:0] (R)															
COR															

LEGEND: R/W = Read/Write; R = Read only; -n = value after reset

**Table 7-112. KR\_VS\_TX\_LN1\_HLM\_ERR\_COUNT Field Descriptions**

Bit	Field	Value	Reset	Description
15:0	TX_TPV_LN1_ERR_COUNT[15:0] (R)	COR		Error Counter for H/L/M test pattern verification on Lane 1 of Tx side

**7.5.3.44 KR\_VS\_TX\_LN2\_HLM\_ERR\_COUNT (register = 0x801D) (default = 0xFFFFD) (device address: 0x01)**

**Figure 7-131. KR\_VS\_TX\_LN2\_HLM\_ERR\_COUNT Register**

15	14	13	12	11	10	9	8	7	6	5	4	3	2	1	0
TX_TPV_LN2_ERR_COUNT[15:0] (R)															
COR															

LEGEND: R/W = Read/Write; R = Read only; -n = value after reset

**Table 7-113. KR\_VS\_TX\_LN2\_HLM\_ERR\_COUNT Field Descriptions**

Bit	Field	Type	Reset	Description
15:0	TX_TPV_LN2_ERR_COUNT[15:0] (R)	COR		Error Counter for H/L/M test pattern verification on Lane 2 of Tx side

**7.5.3.45 KR\_VS\_TX\_LN3\_HLM\_ERR\_COUNT (register = 0x801E) (default = 0xFFFFD) (device address: 0x01)**

**Figure 7-132. KR\_VS\_TX\_LN3\_HLM\_ERR\_COUNT Register**

15	14	13	12	11	10	9	8	7	6	5	4	3	2	1	0
TX_TPV_LN3_ERR_COUNT[15:0] (R)															
COR															

LEGEND: R/W = Read/Write; R = Read only; -n = value after reset

**Table 7-114. KR\_VS\_TX\_LN3\_HLM\_ERR\_COUNT Field Descriptions**

Bit	Field	Type	Reset	Description
15:0	TX_TPV_LN3_ERR_COUNT[15:0] (R)	COR		Error Counter for H/L/M test pattern verification on Lane 3 of Tx side

**7.5.3.46 LT\_VS\_CONTROL\_2 (register = 0x9001) (default = 0x0000) (device address: 0x01)**

**Figure 7-133. LT\_VS\_CONTROL\_2 Register**

15	14	13	12	11	10	9	8	7	6	5	4	3	2	1	0
RESERVED		RESERVED		AP_SEARCH_MODE [2:0] (RXG)		RESERVED									
RW		RW/SC		RW		RW									

LEGEND: R/W = Read/Write; R = Read only; -n = value after reset

**Table 7-115. LT\_VS\_CONTROL\_2 Field Descriptions**

Bit	Field	Type	Reset	Description
15:14	RESERVED	RW		For TI use only (Default 2'b00)
13:12	RESERVED	RW/SC		For TI use only (Default 2'b00)
11:9	AP_SEARCH_MODE[2:0] (RXG)	RW		000 = Auto search, autotrain disabled (Default 3'b000) 001 = Full region search, autotrain disabled 010 = Auto search, autotrain enabled 011 = Full region search, autotrain enabled 1xx = Manual search
8:0	RESERVED	RW		For TI use only (Default 9'b000000000)

**7.5.4 PCS Registers**

The registers below can be accessed only in Clause 45 mode and with device address field set to 0x03 (DEVADD [4:0] = 5'b00011). Valid only when device is in 10GBASE-KR mode.

**7.5.4.1 PCS\_CONTROL (register = 0x0000) (default = 0x0000) (device address: 0x03)**

**Figure 7-134. PCS\_CONTROL Register XXX**

15	14	13	12	11	10	9	8
PCS_RESET (R)	PCS_LOOPBACK (R)	RESERVED		PCS_LP_MODE (R)	RESERVED		
RW/SC	RW	RW		RW	RW		
7	6	5	4	3	2	1	0
RESERVED							
RW							

LEGEND: R/W = Read/Write; R = Read only; -n = value after reset

**Table 7-116. PCS\_CONTROL Field Descriptions**

Bit	Field	Type	Reset	Description
15	PCS_RESET (R)	RW/SC		1 = Resets datapath and MDIO registers. Equivalent to asserting RESET_N. 0 = Normal operation (Default 1'b0)
14	PCS_LOOPBACK (R)	RW		1 = Enables PCS loopback 0 = Normal operation (Default 1'b0) Requires Auto Negotiation and Link Training to be disabled.
13:12	RESERVED	RW		For TI use only. Always reads 0.
11	PCS_LP_MODE (R)	RW		1 = Enable power down mode 0 = Normal operation (Default 1'b0)
10:0	RESERVED	RW		For TI use only. Always reads 0.

**7.5.4.2 PCS\_STATUS\_1 (register = 0x0001) (default = 0x0002) (device address: 0x03)**
**Figure 7-135. PCS\_STATUS\_1 Register**

15	14	13	12	11	10	9	8
RESERVED							
7	6	5	4	3	2	1	0
PCS_FAULT (R)	RESERVED				PCS_RX_LINK (R)	PCS_LP_ABILI TY (R)	RESERVED
RO				RO/LL		RO	

LEGEND: R/W = Read/Write; R = Read only; -n = value after reset

**Table 7-117. PCS\_STATUS\_1 Field Descriptions**

Bit	Field	TYPE	Reset	Description
15:8	RESERVED			For TI use only.
7	PCS_FAULT (R)	RO		1 = Fault condition detected on either PCS TX or PCS RX 0 = No fault condition detected This bit is cleared after Register 03.0008 is read and no fault condition occurs after 03.0008 is read.
6:3	RESERVED			For TI use only.
2	PCS_RX_LINK (R)	RO/LL		1 = PCS receive link is up 0 = PCS receive link is down
1	PCS_LP_ABILITY (R)	RO		Always reads 1. 1 = Supports low power mode 0 = Does not support low power mode
0	RESERVED			For TI use only.

**7.5.4.3 PCS\_STATUS\_2 (register = 0x0008) (default = 0x8001) (device address: 0x03)**
**Figure 7-136. PCS\_STATUS\_2 Register**

15	14	13	12	11	10	9	8
DEV_PRESENT (R)	RESERVED			PCS_TX_FAUL T (R)	PCS_RX_FAUL T (R)	RESERVED	
RO				RO/LH		RO/LH	
7	6	5	4	3	2	1	0
RESERVED							PCS_10GBAS ER_CAPABLE (R)
RO							

LEGEND: R/W = Read/Write; R = Read only; -n = value after reset

**Table 7-118. PCS\_STATUS\_2 Field Descriptions**

Bit	Field	Type	Reset	Description
15:14	DEV_PRESENT (R)	RO		Always reads 2'b10. 0x = No device responding at this address 10 = Device responding at this address 11 = No device responding at this address
13:12	RESERVED			For TI use only.
11	PCS_TX_FAULT (R)	RO/LH		1 = Fault condition detected on transmit path 0 = No fault condition detected on transmit path
10	PCS_RX_FAULT (R)	RO/LH		1 = Fault condition detected on receive path 0 = No fault condition detected on receive path
9:1	RESERVED			For TI use only.
0	PCS_10GBASER_CAPABLE (R)	RO		Always reads 1. 1 = PCS is able to support 10GBASE-R PCS type 0 = PCS not able to support 10GBASE-R PCS type

**7.5.4.4 KR\_PCS\_STATUS\_1 (register = 0x0020) (default = 0x0004) (device address: 0x03)**

**Figure 7-137. KR\_PCS\_STATUS\_1 Register**

15	14	13	12	11	10	9	8
RESERVED			PCS_RX_LINK_STATUS (R)	RESERVED			
RO			RO				
7	6	5	4	3	2	1	0
RESERVED					PCS_PRBS31_ABILITY (R)	PCS_HI_BER (R)	PCS_BLOCK_LOCK (R)
RO					RO	RO	RO

LEGEND: R/W = Read/Write; R = Read only; -n = value after reset

**Table 7-119. KR\_PCS\_STATUS\_1 Field Descriptions**

Bit	Field	Type	Reset	Description
15:13	RESERVED	RO		For TI use only.
12	PCS_RX_LINK_STATUS (R)	RO		1 = 10GBASE-R PCS receive link up 0 = 10GBASE-R PCS receive link down
11:3	RESERVED	RO		For TI use only.
2	PCS_PRBS31_ABILITY (R)	RO		Always reads 1. 1 = PCS is able to support PRBS31 pattern testing 0 = PCS is not able to support PRBS31 testing
1	PCS_HI_BER (R)	RO		1 = High BER condition detected 0 = High BER condition not detected
0	PCS_BLOCK_LOCK (R)	RO		1 = PCS locked to receive blocks 0 = PCS not locked to receive blocks

**7.5.4.5 KR\_PCS\_STATUS\_2 (register = 0x0021) (default = 0x0000) (device address: 0x03)**

**Figure 7-138. KR\_PCS\_STATUS\_2 Register**

15	14	13	12	11	10	9	8	
PCS_BLOCK_LOCK_LL (R)	PCS_HI_BER_LH (R)	PCS_BER_COUNT[5:0] (R)						
RO/LL	RO/LH	COR						
7	6	5	4	3	2	1	0	
PCS_ERR_BLOCK_COUNT[7:0] (R)								
COR								

LEGEND: R/W = Read/Write; R = Read only; -n = value after reset

**Table 7-120. KR\_PCS\_STATUS\_2 Field Descriptions**

Bit	Field	Type	Reset	Description
15	PCS_BLOCK_LOCK_LL (R)	RO/LL		1 = PCS locked to receive blocks 0 = PCS not locked to receive blocks
14	PCS_HI_BER_LH (R)	RO/LL		1 = High BER condition detected 0 = High BER condition not detected
13:8	PCS_BER_COUNT[5:0] (R)	COR		Value indicating number of times BER state machine enters BER_BAD_SH state
7:0	PCS_ERR_BLOCK_COUNT[7:0] (R)	COR		Value indicating number of times RX decode state machine enters RX_E state. Same value is also reflected in 1E.0010 and reading either register clears the counter value.

**7.5.4.6 PCS\_TP\_SEED\_A0 (register = 0x0022) (default = 0x0000) (device address: 0x03)**
**Figure 7-139. PCS\_TP\_SEED\_A0 Register**

15	14	13	12	11	10	9	8	7	6	5	4	3	2	1	0
PCS_TP_SEED_A[15:0] (R)															
RW															

LEGEND: R/W = Read/Write; R = Read only; -n = value after reset

**Table 7-121. PCS\_TP\_SEED\_A0 Field Descriptions**

Bit	Field	Type	Reset	Description
15:0	PCS_TP_SEED_A[15:0] (R)	RW		Test pattern seed A bits 15-0

**7.5.4.7 PCS\_TP\_SEED\_A1 (register = 0x0023) (default = 0x0000) (device address: 0x03)**
**Figure 7-140. PCS\_TP\_SEED\_A1 Register**

15	14	13	12	11	10	9	8	7	6	5	4	3	2	1	0
PCS_TP_SEED_A[31:16] (R)															
RW															

LEGEND: R/W = Read/Write; R = Read only; -n = value after reset

**Table 7-122. PCS\_TP\_SEED\_A1 Field Descriptions**

Bit	Field	Type	Reset	Description
15:0	PCS_TP_SEED_A[31:16] (R)	RW		Test pattern seed A bits 31-16

**7.5.4.8 PCS\_TP\_SEED\_A2 (register = 0x0024) (default = 0x0000) (device address: 0x03)**
**Figure 7-141. PCS\_TP\_SEED\_A2 Register**

15	14	13	12	11	10	9	8	7	6	5	4	3	2	1	0
PCS_TP_SEED_A[47:32] (R)															
RW															

LEGEND: R/W = Read/Write; R = Read only; -n = value after reset

**Table 7-123. PCS\_TP\_SEED\_A2 Field Descriptions**

Bit	Field	Type	Reset	Description
15:0	PCS_TP_SEED_A[47:32] (R)	RW		Test pattern seed A bits 47-32

**7.5.4.9 PCS\_TP\_SEED\_A3 (register = 0x0025) (default = 0x0000) (device address: 0x03)**

**Figure 7-142. PCS\_TP\_SEED\_A3 Register**

15	14	13	12	11	10	9	8	7	6	5	4	3	2	1	0
RESERVED						PCS_TP_SEED_A[57:48] (R)									
RW						RW									

LEGEND: R/W = Read/Write; R = Read only; -n = value after reset

**Table 7-124. PCS\_TP\_SEED\_A3 Field Descriptions**

Bit	Field	Type	Reset	Description
15:10	RESERVED	RW		For TI use only. Always reads 0.
9:0	PCS_TP_SEED_A[57:48] (R)	RW		Test pattern seed A bits 57-48

**7.5.4.10 PCS\_TP\_SEED\_B0 (register = 0x0026) (default = 0x0000) (device address: 0x03)**

**Figure 7-143. PCS\_TP\_SEED\_B0 Register**

15	14	13	12	11	10	9	8	7	6	5	4	3	2	1	0
PCS_TP_SEED_B[15:0] (R)															
RW															

LEGEND: R/W = Read/Write; R = Read only; -n = value after reset

**Table 7-125. PCS\_TP\_SEED\_B0 Field Descriptions**

Bit	Field	Type	Reset	Description
15:0	PCS_TP_SEED_B[15:0] (R)	RW		Test pattern seed B bits 15-0

**7.5.4.11 PCS\_TP\_SEED\_B1 (register = 0x0027) (default = 0x0000) (device address: 0x03)**

**Figure 7-144. PCS\_TP\_SEED\_B1 Register**

15	14	13	12	11	10	9	8	7	6	5	4	3	2	1	0
PCS_TP_SEED_B[31:16] (R)															
RW															

LEGEND: R/W = Read/Write; R = Read only; -n = value after reset

**Table 7-126. PCS\_TP\_SEED\_B1 Field Descriptions**

Bit	Field	Type	Reset	Description
15:0	PCS_TP_SEED_B[31:16] (R)	RW		Test pattern seed B bits 31-16

**7.5.4.12 PCS\_TP\_SEED\_B2 (register = 0x0028) (default = 0x0000) (device address: 0x03)**
**Figure 7-145. PCS\_TP\_SEED\_B2 Register**

15	14	13	12	11	10	9	8	7	6	5	4	3	2	1	0
PCS_TP_SEED_B[47:32] (R)															
RW															

LEGEND: R/W = Read/Write; R = Read only; -n = value after reset

**Table 7-127. PCS\_TP\_SEED\_B2 Field Descriptions**

Bit	Field	Type	Reset	Description
15:0	PCS_TP_SEED_B[47:32] (R)	RW		Test pattern seed B bits 47-32

**7.5.4.13 PCS\_TP\_SEED\_B3 (register = 0x0029) (default = 0x0000) (device address: 0x03)**
**Figure 7-146. PCS\_TP\_SEED\_B3 Register**

15	14	13	12	11	10	9	8	7	6	5	4	3	2	1	0
RESERVED						PCS_TP_SEED_B[57:48] (R)									
RW						RW									

LEGEND: R/W = Read/Write; R = Read only; -n = value after reset

**Table 7-128. PCS\_TP\_SEED\_B3 Field Descriptions**

Bit	Field	Type	Reset	Description
15:10	RESERVED	RW		For TI use only. Always reads 0.
9:0	PCS_TP_SEED_B[57:48] (R)	RW		Test pattern seed B bits 57-48

**7.5.4.14 PCS\_TP\_CONTROL (register = 0x002A) (default = 0x0000) (device address: 0x03)**

**Figure 7-147. PCS\_TP\_CONTROL Register**

15	14	13	12	11	10	9	8
RESERVED							
RW							
7	6	5	4	3	2	1	0
RESERVED		PCS_PRBS31_RX_TP_EN (R)	PCS_PRBS31_TX_TP_EN (R)	PCS_TX_TP_EN (R)	PCS_RX_TP_EN (R)	PCS_TP_SEL (R)	PCS_DP_SEL (R)
RW		RW	RW	RW	RW	RW	RW

LEGEND: R/W = Read/Write; R = Read only; -n = value after reset

**Table 7-129. PCS\_TP\_CONTROL Field Descriptions**

Bit	Field	Type	Reset	Description
15:6	RESERVED	RW		For TI use only. Always reads 0.
5	PCS_PRBS31_RX_TP_EN (R)	RW		1 = Enable PRBS31 test pattern verification on receive path 0 = Normal operation (Default 1'b0)
4	PCS_PRBS31_TX_TP_EN (R)	RW		1 = Enable PRBS31 test pattern generation on transmit path 0 = Normal operation (Default 1'b0)
3	PCS_TX_TP_EN (R)	RW		1 = Enable transmit test pattern generation 0 = Normal operation (Default 1'b0)
2	PCS_RX_TP_EN (R)	RW		1 = Enable receive test pattern verification 0 = Normal operation (Default 1'b0)
1	PCS_TP_SEL (R)	RW		1 = Square wave test pattern 0 = Pseudo random test pattern (Default 1'b0)
0	PCS_DP_SEL (R)	RW		1 = 0'S data pattern 0 = LF data pattern (Default 1'b0)

**7.5.4.15 PCS\_TP\_ERR\_COUNT (register = 0x002B) (default = 0x0000) (device address: 0x03)**

**Figure 7-148. PCS\_TP\_ERR\_COUNT Register**

15	14	13	12	11	10	9	8	7	6	5	4	3	2	1	0
PCS_TP_ERR_COUNT[15:0] (R)															
COR															

LEGEND: R/W = Read/Write; R = Read only; -n = value after reset

**Table 7-130. PCS\_TP\_ERR\_COUNT Field Descriptions**

Bit	Field	Type	Reset	Description
15:0	PCS_TP_ERR_COUNT[15:0] (R)	COR		Test pattern error counter. This counter reflects number of errors occurred during the test pattern mode selected through PCS_TP_CONTROL. In PRBS31 test pattern verification mode, counter value indicates the number of received bytes that have 1 or more bit errors.



**7.5.4.16 PCS\_VS\_CONTROL (register = 0x8000) (default = 0x00B0) (device address: 0x03)**
**Figure 7-149. PCS\_VS\_CONTROL Register**

15	14	13	12	11	10	9	8
RESERVED							
RW							
7	6	5	4	3	2	1	0
PCS_SQWAVE_N (R)				RESERVED	PCS_RX_DEC _CTRL_CHAR (R)	PCS_DESCR_ DISABLE (R)	PCS_SCR_DIS ABLE (R)
RW				RW	RW	RW	RW

LEGEND: R/W = Read/Write; R = Read only; -n = value after reset

**Table 7-131. PCS\_VS\_CONTROL Field Descriptions**

Bit	Field	Type	Reset	Description
15:8	RESERVED	RW		For TI use only. Always reads 0.
7:4	PCS_SQWAVE_N (R)	RW		Sets number of repeating 0's followed by repeating 1's during square wave test pattern generation mode (Default 4'1011)
3	RESERVED	RW		For TI use only (Default 1'b0)
2	PCS_RX_DEC_CTRL_CHAR (R)	RW		PCS RX Decode control character selection. Determines what control characters are passed 0 = A/K/R control characters are changed to Idles. Reserved characters passed through (Default 1'b0) 1 = A/K/R control characters are passed through as is RW
1	PCS_DESCR_DISABLE (R)	RW		De-scrambler control in 10GKR RX PCS 1 = Disable descrambler 0 = Enable descrambler (Default 1'b0)
0	PCS_SCR_DISABLE (R)	RW		Scrambler control in 10GKR TX PCS 1 = Disable scrambler 0 = Enable scrambler (Default 1'b0)

**7.5.4.17 PCS\_VS\_STATUS (register = 0x8010) (default = 0x00FD) (device address: 0x03)**

**Figure 7-150. PCS\_VS\_STATUS Register**

15	14	13	12	11	10	9	8
RESERVED		UNCORR_ERR_STATUS (R)	CORR_ERR_STATUS (R)	RESERVED		PCS_TP_ERR (R)	
RO/LF		RO/LF	RO/LF			RO/LF	
7	6	5	4	3	2	1	0
RESERVED							
COR							

LEGEND: R/W = Read/Write; R = Read only; -n = value after reset

**Table 7-132. PCS\_VS\_STATUS Field Descriptions**

Bit	Field	Type	Reset	Description
15:14	RESERVED	RO/LF		For TI use only.
13	UNCORR_ERR_STATUS (R)	RO/LF		1 = Uncorrectable block error found
12	CORR_ERR_STATUS (R)	RO/LF		1 = Correctable block error found
11:9	RESERVED	COR		For TI use only.
8	PCS_TP_ERR (R)	RO/LF		PCS test pattern verification status PCS_SCR_DISABLE 1 = Error occurred during pseudo random test pattern verification Number of errors can be checked by reading PCS_TP_ERR_COUNT (03.002B) register
7:0	RESERVED	COR		For TI use only.

## 7.5.5 Auto-Negotiation Registers

The registers below can be accessed only in Clause 45 mode and with device address field set to 0x07 (DA[4:0] = 5'b00111)

### 7.5.5.1 AN\_CONTROL (register = 0x0000) (default = 0x3000) (device address: 0x07)

**Figure 7-151. AN\_CONTROL Register**

15	14	13	12	11	10	9	8
AN_RESET (RX)	RESERVED		AN_ENABLE (RX)	RESERVED		AN_RESTART (RX)	RESERVED
RW/SC	RW		RW	RW		RW/SC <sup>(1)</sup>	RW
7	6	5	4	3	2	1	0
RESERVED							
RW							

LEGEND: R/W = Read/Write; R = Read only; -n = value after reset

(1) If set, a read of register 07.0000 is required to clear AN\_RESTART bit.

**Table 7-133. AN\_CONTROL Field Descriptions**

Bit	Field	Type	Reset	Description
15	AN_RESET (RX)	RW/SC		1 = Resets Auto Negotiation 0 = Normal operation (Default 1'b0)
14	RESERVED	RW		For TI use only. Always reads 0.
13	RESERVED	RW		For TI use only (Default 1'b1)
12	AN_ENABLE (RX)	RW		1 = Enable Auto Negotiation (Default 1'b1) 0 = Disable Auto Negotiation
11:10	RESERVED	RW		For TI use only. Always reads 0.
9	AN_RESTART (RX)	RW/SC		1 = Restart Auto Negotiation 0 = Normal operation (Default 1'b0) If set, a read of this register is required to clear AN_RESTART bit.
8:0	RESERVED	RW		For TI use only. Always reads 0.

### 7.5.5.2 AN\_STATUS (register = 0x0001) (default = 0x0088) (device address: 0x07)

**Figure 7-152. AN\_STATUS Register**

15		14		13		12		11		10		9		8	
RESERVED										AN_PAR_DET_FAULT (RX)		RESERVED			
										RO/LH				RO	
7		6		5		4		3		2		1		0	
AN_EXP_NP_STATUS (RX)		AN_PAGE_RCVD (RX)		AN_COMPLETE (RX)		REMOTE_FAULT (RX)		AN_ABILITY (RX)		LINK_STATUS (RX)		RESERVED		AN_LP_ABILITY (RX)	
RO		RO/LH		RO		RO/LH		RO		RO/LL				RO	

LEGEND: R/W = Read/Write; R = Read only; -n = value after reset

**Table 7-134. AN\_STATUS Field Descriptions**

Bit	Field	Type	Reset	Description
15:10	RESERVED	RO		For TI use only.
9	AN_PAR_DET_FAULT (RX)	RO/LH		1 = Fault has been detected via parallel detection function 0 = Fault has not been detected via parallel detection function
8	RESERVED	RO		For TI use only.
7	AN_EXP_NP_STATUS (RX)	RO/LH		1 = Extended next page is used 0 = Extended next page is not allowed
6	AN_PAGE_RCVD (RX)	RO		1 = A page has been received 0 = A page has not been received
5	AN_COMPLETE (RX)	RO/LH		1 = Auto Negotiation process is completed 0 = Auto Negotiation process not completed
4	REMOTE_FAULT (RX)	RO/LH		1 = Remote fault detected by AN 0 = Remote fault not detected by AN
3	AN_ABILITY (RX)	RO		Always reads 1. 1 = Device is able to perform Auto Negotiation 0 = Device not able to perform Auto Negotiation
2	LINK_STATUS (RX)	RO/LH		1 = Link is up 0 = Link is down
1	RESERVED	RO		For TI use only.
0	AN_LP_ABILITY (RX)	RO		1 = LP is able to perform Auto Negotiation 0 = LP not able to perform Auto Negotiation

**7.5.5.3 AN\_DEV\_PACKAGE (register = 0x0005) (default = 0x0080) (device address: 0x07)**
**Figure 7-153. AN\_DEV\_PACKAGE Register XXX**

15	14	13	12	11	10	9	8
RESERVED							
RO							
7	6	5	4	3	2	1	0
AN_PRESENT (RX)	RESERVED						
RO	RO						

LEGEND: R/W = Read/Write; R = Read only; -n = value after reset

**Table 7-135. AN\_DEV\_PACKAGE Field Descriptions**

Bit	Field	Type	Reset	Description
15:8	RESERVED	RO		For TI use only.
7	AN_PRESENT (RX)	RO		Always reads 1 1 = Auto Negotiation present in the package 0 = Auto Negotiation not present in the package
6:0	RESERVED	RO		For TI use only.

**7.5.5.4 AN\_ADVERTISEMENT\_1 (register = 0x0010) (default = 0x1001) (device address: 0x07)**
**Figure 7-154. AN\_ADVERTISEMENT\_1 Register**

15	14	13	12	11	10	9	8
AN_NEXT_PAGE (RX)	AN_ACKNOWLEDGE (RX)	AN_REMOTE_FAULT (RX)	AN_CAPABILITY[2:0] (RX)			AN_ECHO_NONCE[4:0] (RX)	
RW	RO	RW	RW			RW	
7	6	5	4	3	2	1	0
AN_ECHO_NONCE[4:0] (RX)				AN_SELECTOR[4:0] (RX)			
RW				RW			

LEGEND: R/W = Read/Write; R = Read only; -n = value after reset

**Table 7-136. AN\_ADVERTISEMENT\_1 Field Descriptions**

Bit	Field	Type	Reset	Description
15	AN_NEXT_PAGE (RX)	RW		NP bit (D15) in base link codeword 1 = Next page available 0 = Next page not available (Default 1'b0)
14	AN_ACKNOWLEDGE (RX)	RO		Acknowledge bit (D14) in base link codeword. Always reads 0.
13	AN_REMOTE_FAULT (RX)	RW		RF bit (D13) in base link codeword 1 = Sets RF bit to 1 0 = Normal operation (Default 1'b0)
12:10	AN_CAPABILITY[2:0] (RX)	RW		Value to be set in D12:D10 bits of the base link codeword. Consists of abilities like PAUSE, ASM_DIR (Default 3'b100)
9:5	AN_ECHO_NONCE[4:0] (RX)	RW		Value to be set in D9:D5 bits of the base link codeword. Consists of Echo nonce value. Transmitted in base page only until local device and link Partner have exchanged unique Nonce values, at which time transmitted Echoed Nonce will change to Link Partner's Nonce value. Read value always reflects the value written, not the actual Echoed Nonce. (Default 5'b00000)
4:0	AN_SELECTOR[4:0] (RX)	RW		Value to be set in D4:D0 bits of the base link codeword. Consists of selector field value (Default 5'b00001)

**7.5.5.5 AN\_ADVERTISEMENT\_2 (register = 0x0011) (default = 0x0080)  
(device address: 0x07)**

**Figure 7-155. AN\_ADVERTISEMENT\_2 Register**

15	14	13	12	11	10	9	8
AN_ABILITY[10:3] (RX)							
RW							
7	6	5	4	3	2	1	0
AN_ABILITY[2] (RX)	AN_ABILITY[1] (RX)	AN_ABILITY[0] (RX)	AN_TRANS_NONCE_FIELD[4:0] (RX)				
RW	RW	RW	RW				

LEGEND: R/W = Read/Write; R = Read only; -n = value after reset

**Table 7-137. AN\_ADVERTISEMENT\_2 Field Descriptions**

Bit	Field	Value	Reset	Description
15:8	AN_ABILITY[10:3] (RX)	RW		Value to be set in D31:D24 bits of the base link codeword. Consists of technology ability field bits [10:3] (Default 9'b000000000)
7	AN_ABILITY[2] (RX)	RW		Value to be set in D23 bits of the base link codeword. Consists of technology ability field bits [2]. When set, indicates device supports 10GBASE-KR (Default 1'b1)
6	AN_ABILITY[1] (RX)	RW		Value to be set in D22 bits of the base link codeword. Consists of technology ability field bits [1]. Always set to 0 (Default 1'b0)
5	AN_ABILITY[0] (RX)	RW		Value to be set in D21 bits of the base link codeword. Consists of technology ability field bit [0]. When set, indicates device supports 1000BASE-KX (Default 1'b0)
4:0	AN_TRANS_NONCE_FIELD[4:0] (RX)	RW		Not used. Transmitted Nonce field is generated by hardware random number generator. Read value always reflects value written, not the actual Transmitted Nonce (Default 5'b00000)

**7.5.5.6 AN\_ADVERTISEMENT\_3 (register = 0x0012) (default = 0x4000)  
(device address: 0x07)**

**Figure 7-156. AN\_ADVERTISEMENT\_3 Register**

15	14	13	12	11	10	9	8
AN_FEC_REQ UESTED (RX)	AN_FEC_ABILI TY (RX)	AN_ABILITY[24:11] (RX)					
RW	RW	RW					
7	6	5	4	3	2	1	0
AN_ABILITY[24:11] (RX)							
RW							

LEGEND: R/W = Read/Write; R = Read only; -n = value after reset

**Table 7-138. AN\_ADVERTISEMENT\_3 Field Descriptions**

Bit	Field	Type	Reset	Description
15	AN_FEC_REQUESTED (RX)	RW		Value to be set in D47 bits of the base link codeword. When set, indicates a request to enable FEC on the link (Default 1'b0)
14	AN_FEC_ABILITY (RX)	RW		Value to be set in D46 bits of the base link codeword. When set, indicates 10GBASE-KR has FEC ability (Default 1'b1)
13:0	AN_ABILITY[24:11] (RX)	RW		Value to be set in D45:D32 bits of the base link codeword. Consists of technology ability field bits [24:11] (Default 14'b0000000000000000)

**7.5.5.7 AN\_LP\_ADVERTISEMENT\_1 (register = 0x0013) (default = 0x0001)  
(device address: 0x07)**
**Figure 7-157. AN\_LP\_ADVERTISEMENT\_1 Register**

15	14	13	12	11	10	9	8
AN_LP_NEXT_PAGE (RX)	AN_LP_ACKNOWLEDGE (RX)	AN_LP_REMOTE_FAULT (RX)	AN_LP_CAPABILITY (RX)		AN_LP_ECHO_NONCE (RX)		
RO	RO	RO	RO		RO		
7	6	5	4	3	2	1	0
AN_LP_ECHO_NONCE (RX)			AN_LP_SELECTOR[4:0] (RX)				
RO			RO				

LEGEND: R/W = Read/Write; R = Read only; -n = value after reset

**Table 7-139. AN\_LP\_ADVERTISEMENT\_1<sup>(1)</sup> Field Descriptions**

Bit	Field	Type	Reset	Description
15	AN_LP_NEXT_PAGE (RX)	RO		NP bit (D15) in link partner base page 1 = Next page available in link partner 0 = Next page not available in link partner
14	AN_LP_ACKNOWLEDGE (RX)	RO		Acknowledge bit (D14) in link partner base page.
13	AN_LP_REMOTE_FAULT (RX)	RO		RF bit (D13) in link partner base page 1 = Remote fault detected in link partner 0 = Remote fault not detected in link partner
12:10	AN_LP_CAPABILITY (RX)	RO		D12:D10 bits of the link partner base page. Consists of abilities like PAUSE, ASM_DIR
9:5	AN_LP_ECHO_NONCE (RX)	RO		D9:D5 bits of the link partner base page. Consists of Echo nonce value
4:0	AN_LP_SELECTOR[4:0] (RX)	RO		D4:D0 bits of the link partner base page. Consists of selector field value Always reads 5'b00001

(1) To get accurate AN\_LP\_ADVERTISEMENT read value, Register 07.0013 should be read first before reading 07.0014 and 07.0015

**7.5.5.8 AN\_LP\_ADVERTISEMENT\_2 (register = 0x0014) (default = 0x0000)  
(device address: 0x07)**
**Figure 7-158. AN\_LP\_ADVERTISEMENT\_2 Register**

15	14	13	12	11	10	9	8
AN_LP_ABILITY[10:3] (RX)							
RO							
7	6	5	4	3	2	1	0
AN_LP_ABILIT Y[2] (RX)	AN_LP_ABILIT Y[1] (RX)	AN_LP_ABILIT Y[0] (RX)	AN_LP_TRANS_NONCE_FIELD (RX)				
RO	RO	RO	RO				

LEGEND: R/W = Read/Write; R = Read only; -n = value after reset

**Table 7-140. AN\_LP\_ADVERTISEMENT\_2 Field Descriptions**

Bit	Field	Type	Reset	Description
15:8	AN_LP_ABILITY[10:3] (RX)	RO		D31:D24 bits of the link partner base page. Consists of technology ability field bits [10:3]
7	AN_LP_ABILITY[2] (RX)	RO		D23 bits of the link partner base page. Consists of technology ability field bits [2]. When high, indicates link partner supports 10GBASE-KR
6	AN_LP_ABILITY[1] (RX)	RO		D22 bits of the link partner base page. Consists of technology ability field bits [1].
5	AN_LP_ABILITY[0] (RX)	RO		D21 bits of the link partner base page. Consists of technology ability field bit [0]. When high, indicates link partner supports 1000BASE-KX
4:0	AN_LP_TRANS_NONCE_FIELD (RX)	RO		D20:D16 bits of the link partner base page. Consists of transmitted nonce value



**7.5.5.9 AN\_LP\_ADVERTISEMENT\_3 (register = 0x0015) (default = 0x0000) (device address: 0x07)**

**Figure 7-159. AN\_LP\_ADVERTISEMENT\_3 Register**

15	14	13	12	11	10	9	8
AN_LP_FEC_REQUESTED (RX)	AN_LP_FEC_ABILITY (RX)	AN_LP_ABILITY[24:11] (RX)					
RO	RO	RO					
7	6	5	4	3	2	1	0
AN_LP_ABILITY[24:11] (RX)							
RO							

LEGEND: R/W = Read/Write; R = Read only; -n = value after reset

**Table 7-141. AN\_LP\_ADVERTISEMENT\_3 Field Descriptions**

Bit	Field	Type	Reset	Description
15	AN_LP_FEC_REQUESTED (RX)	RO		D47 bits of the link partner base page. When high, indicates link partner request to enable FEC on the link
14	AN_LP_FEC_ABILITY (RX)	RO		D46 bits of the link partner base page. When high, indicates link partner has FEC ability
13:0	AN_LP_ABILITY[24:11] (RX)	RO		D45:D32 bits of the link partner base page. Consists of link partner technology ability field bits [24:11]

**7.5.5.10 AN\_XNP\_TRANSMIT\_1 (register = 0x0016) (default = 0x2000) (device address: 0x07)**

**Figure 7-160. AN\_XNP\_TRANSMIT\_1 Register**

15	14	13	12	11	10	9	8
AN_XNP_NEXT_PAGE (RX)	RESERVED	AN_MP (RX)	AN_ACKNOWLEDGE_2 (RX)	AN_TOGGLE (RX)	AN_CODE_FIELD (RX)		
RW	RO	RW	RW	RW	RW		
7	6	5	4	3	2	1	0
AN_CODE_FIELD (RX)							
RW							

LEGEND: R/W = Read/Write; R = Read only; -n = value after reset

**Table 7-142. AN\_XNP\_TRANSMIT\_1 Field Descriptions**

Bit	Field	Type	Reset	Description
15	AN_XNP_NEXT_PAGE (RX)	RW		NP bit (D15) in next page code word 1 = Next page available 0 = Next page not available (Default 1'b0)
14	RESERVED	RO		Always reads 0.
13	AN_MP (RX)	RW		Message page bit (D13) in next page code word 1 = Sets MP bit to 1 indicating next page is a message page (Default 1'b1) 0 = Sets MP bit to 0 indicating next page is unformatted next page
12	AN_ACKNOWLEDGE_2 (RX)	RW		Value to be set in D12 bit of the next page code word. When set, indicates device is able to act on the information defined in the message (Default 1'b0)
11	AN_TOGGLE (RX)	RW		Not used. Toggle value is generated by hardware. Read value always reflects value written, not the actual Toggle field (Default 1'b0)
10:0	AN_CODE_FIELD (RX)	RW		Value to be set in D10:D0 bits of the next page code word. Consists of Message/Unformatted code field value (Default 11'b000000000000)

**7.5.5.11 AN\_XNP\_TRANSMIT\_2 (register = 0x0017) (default = 0x0000) (device address: 0x07)**

**Figure 7-161. AN\_XNP\_TRANSMIT\_2 Register**

15	14	13	12	11	10	9	8	7	6	5	4	3	2	1	0
AN_MSG_CODE_1 (RX)															
RW															

LEGEND: R/W = Read/Write; R = Read only; -n = value after reset

**Table 7-143. AN\_XNP\_TRANSMIT\_2 Field Descriptions**

Bit	Field	Value	Reset	Description
15:0	AN_MSG_CODE_1 (RX)	RW		Value to be set in D31:D16 bits of the next page code word. Consists of Message/Unformatted code field value (Default 16'b0000000000000000)

**7.5.5.12 AN\_XNP\_TRANSMIT\_3 (register = 0x0018) (default = 0x0000) (device address: 0x07)**

**Figure 7-162. AN\_XNP\_TRANSMIT\_3 Register**

15	14	13	12	11	10	9	8	7	6	5	4	3	2	1	0
AN_MSG_CODE_2 (RX)															
RW															

LEGEND: R/W = Read/Write; R = Read only; -n = value after reset

**Table 7-144. AN\_XNP\_TRANSMIT\_3 Field Descriptions**

Bit	Field	Type	Reset	Description
15:0	AN_MSG_CODE_2 (RX)	RW		Value to be set in D47:D32 bits of the next page code word. Consists of Message/Unformatted code field value (Default 16'b0000000000000000)

**7.5.5.13 AN\_LP\_XNP\_ABILITY\_1 (register = 0x0019) (default = 0x0000)  
(device address: 0x07)**
**Figure 7-163. AN\_LP\_XNP\_ABILITY\_1 Register**

15	14	13	12	11	10	9	8
AN_LP_XNP_N EXT_PAGE (RX)	AN_LP_XNP_A CKNOWLEDG E (RX)	AN_LP_MP (RX)	AN_LP_ACKN OWLEDGE_2 (RX)	AN_LP_TOGG LE (RX)	AN_LP_CODE_FIELD (RX)		
RO	RO	RO	RO	RO	RO		
7	6	5	4	3	2	1	0
AN_LP_CODE_FIELD (RX)							
RO							

LEGEND: R/W = Read/Write; R = Read only; -n = value after reset

**Table 7-145. AN\_LP\_XNP\_ABILITY\_1<sup>(1)</sup> Field Descriptions**

Bit	Field	Type	Reset	Description
15	AN_LP_XNP_NEXT_PAGE (RX)	RO		NP bit (D15) in next page code word 1 = Next page available 0 = Next page not available (Default 1'b0)
14	AN_LP_XNP_ACKNOWLEDGE (RX)	RO		Value in D14 bit of the next page code word. When set, indicates device is able to act on the information defined in the message (Default 1'b0)
13	AN_LP_MP (RX)	RO		Message page bit (D13) in next page code word 1 = Sets MP bit to 1 indicating next page is a message page 0 = Sets MP bit to 0 indicating next page is unformatted next page (Default 1'b0)
12	AN_LP_ACKNOWLEDGE_2 (RX)	RO		Value in D12 bit of the next page code word. When set, indicates device is able to act on the information defined in the message (Default 1'b0)
11	AN_LP_TOGGLE (RX)	RO		Value of D11 bit of the next page code word. Consists of Toggle field value (Default 1'b0)
10:0	AN_LP_CODE_FIELD (RX)	RO		Value in D10:D0 bits of the next page code word. Consists of Message/Unformatted code field value (Default 11'b000000000000)

(1) To get accurate AN\_LP\_XNP\_ABILITY read value, Register 07.0019 should be read first before reading 07.001A and 07.001B

**7.5.5.14 AN\_LP\_XNP\_ABILITY\_2 (register = 0x001A) (default = 0x0000) (device address: 0x07)**

**Figure 7-164. AN\_LP\_XNP\_ABILITY\_2 Register**

15	14	13	12	11	10	9	8	7	6	5	4	3	2	1	0
AN_LP_MSG_CODE_2 (RX)															
RO															

LEGEND: R/W = Read/Write; R = Read only; -n = value after reset

**Table 7-146. AN\_LP\_XNP\_ABILITY\_2 Field Descriptions**

Bit	Field	Type	Reset	Description
15:0	AN_LP_MSG_CODE_1 (RX)	RO		Value to be set in D31:D16 bits of the next page code word. Consists of Message/Unformatted code field value (Default 16'b0000000000000000)

**7.5.5.15 AN\_LP\_XNP\_ABILITY\_3 (register = 0x001B) (default = 0x0000) (device address: 0x07)**

**Figure 7-165. AN\_LP\_XNP\_ABILITY\_3 Register**

15	14	13	12	11	10	9	8	7	6	5	4	3	2	1	0
AN_LP_MSG_CODE_2 (RX)															
RO															

LEGEND: R/W = Read/Write; R = Read only; -n = value after reset

**Table 7-147. AN\_LP\_XNP\_ABILITY\_3 Field Descriptions**

Bit	Field	Type	Reset	Description
15:0	AN_LP_MSG_CODE_2 (RX)	RO		Value to be set in D47:D32 bits of the next page code word. Consists of Message/Unformatted code field value (Default 16'b0000000000000000)

**7.5.5.16 AN\_BP\_STATUS (register = 0x0030) (default = 0x0001) (device address: 0x07)**

**Figure 7-166. AN\_BP\_STATUS Register**

15	14	13	12	11	10	9	8
RESERVED							
RO							
7	6	5	4	3	2	1	0
RESERVED			AN_10G_KR_FEC (RX)	AN_10G_KR (RX)	RESERVED	AN_1G_KX (RX)	AN_BP_AN_ABILITY (RX)
RO			RO	RO	RO	RO	RO

LEGEND: R/W = Read/Write; R = Read only; -n = value after reset

**Table 7-148. AN\_BP\_STATUS Field Descriptions**

Bit	Field	Type	Reset	Description
15:5	RESERVED	RO		For TI use only.
4	AN_10G_KR_FEC (RX)	RO		1 = PMA/PMD is negotiated to perform 10GBASE-KR FEC
3	AN_10G_KR (RX)	RO		1 = PMA/PMD is negotiated to perform 10GBASE-KR
2	RESERVED	RO		For TI use only.
1	AN_1G_KX (RX)	RO		1 = PMA/PMD is negotiated to perform 1000BASE-KX
0	AN_BP_AN_ABILITY (RX)	RO		Always reads 1. 1 = Indicates 1000BASE-KX, 10GBASE-KR is implemented

**Table 7-149. TI\_Reserved Control and Status Registers**

Register Name	Register Address	Default Value	Access		Register Name	Register Address	Default Value	Access
TI_RESERVED_CONTROL	1E.8000	0x04C0	RW		TI_RESERVED_STATUS	1E.A014	0x0000	RO
TI_RESERVED_CONTROL	1E.8001	0x0207	RW		TI_RESERVED_STATUS	1E.A015	0x0000	RO
TI_RESERVED_CONTROL	1E.8002	0x02FE	RW		TI_RESERVED_STATUS	1E.A016	0x0000	RO
TI_RESERVED_CONTROL	1E.8005	0x0000	RW		TI_RESERVED_STATUS	1E.A017	0x0000	RO
TI_RESERVED_CONTROL	1E.8006	0x0000	RW		TI_RESERVED_STATUS	1E.A018	0x0000	RO
TI_RESERVED_CONTROL	1E.8007	0x8000	RW		TI_RESERVED_CONTROL	1E.A116	0x0000	RW
TI_RESERVED_CONTROL	1E.8008	0x0000	RW		TI_RESERVED_CONTROL	1E.A117	0x0000	RW
TI_RESERVED_CONTROL	1E.8009	0xFC00	RW		TI_RESERVED_STATUS	1E.A118	0x0000	RO
TI_RESERVED_CONTROL	1E.800A	0xBC3C	RW		TI_RESERVED_STATUS	1E.A119	0x0000	RO
TI_RESERVED_CONTROL	1E.800B	0x0000	RW		TI_RESERVED_CONTROL	01.8000	0x4800	RW
TI_RESERVED_CONTROL	1E.800C	0x0000	RW		TI_RESERVED_STATUS	01.801F	0xFFFFD	COR
TI_RESERVED_CONTROL	1E.800D	0x01FC	RW		TI_RESERVED_STATUS	01.8020	0xFFFFD	COR
TI_RESERVED_CONTROL	1E.800E	0x0000	RW		TI_RESERVED_STATUS	01.8021	0xFFFFD	COR
TI_RESERVED_CONTROL	1E.800F	0x00C0	RW		TI_RESERVED_STATUS	01.8022	0xFFFFD	COR
TI_RESERVED_CONTROL	1E.8011	0x7F00	RW		TI_RESERVED_STATUS	01.8023	0xFFFFF	COR
TI_RESERVED_STATUS	1E.8012	0xFFFFD	COR		TI_RESERVED_STATUS	01.8024	0xFFFFD	COR
TI_RESERVED_STATUS	1E.8013	0xFFFFD	COR		TI_RESERVED_CONTROL	01.9000	0x0249	RW
TI_RESERVED_STATUS	1E.8014	0x0000	RO/LH		TI_RESERVED_CONTROL	01.9002	0x1335	RW
TI_RESERVED_STATUS	1E.8015	0x0000	RO		TI_RESERVED_CONTROL	01.9003	0x5E29	RW
TI_RESERVED_CONTROL	1E.8019	0xFC00	RW		TI_RESERVED_CONTROL	01.9004	0x007F	RW
TI_RESERVED_CONTROL	1E.801A	0xBC3C	RW		TI_RESERVED_CONTROL	01.9005	0x1C00	RW
TI_RESERVED_CONTROL	1E.801C	0x0000	RW		TI_RESERVED_CONTROL	01.9006	0x0000	RW
TI_RESERVED_CONTROL	1E.801D	0x01FC	RW		TI_RESERVED_CONTROL	01.9007	0x5120	RW
TI_RESERVED_CONTROL	1E.801E	0x0000	RW		TI_RESERVED_CONTROL	01.9008	0xC018	RW
TI_RESERVED_CONTROL	1E.801F	0x00C0	RW		TI_RESERVED_CONTROL	01.9009	0xE667	RW
TI_RESERVED_CONTROL	1E.8020	0x0200	RW		TI_RESERVED_CONTROL	01.900A	0x5E8F	RW
TI_RESERVED_CONTROL	1E.8022	0x0000	RW		TI_RESERVED_CONTROL	01.900B	0xAFAF	RW
TI_RESERVED_CONTROL	1E.8023	0x0000	RW		TI_RESERVED_CONTROL	01.900C	0x0800	RW
TI_RESERVED_CONTROL	1E.8024	0x0000	RW		TI_RESERVED_CONTROL	01.900D	0x461A	RW
TI_RESERVED_CONTROL	1E.8025	0xF000	RW		TI_RESERVED_CONTROL	01.900E	0x1723	RW
TI_RESERVED_STATUS	1E.8030	0x0000	RO		TI_RESERVED_CONTROL	01.900F	0x7003	RW
TI_RESERVED_STATUS	1E.8031	0x0000	RO		TI_RESERVED_CONTROL	01.9010	0x0851	RW
TI_RESERVED_STATUS	1E.8032	0x0000	RO		TI_RESERVED_CONTROL	01.9011	0x1EFF	RW
TI_RESERVED_STATUS	1E.8033	0x0000	RO		TI_RESERVED_STATUS	01.9020	0x0000	RO
TI_RESERVED_STATUS	1E.8034	0x0000	RO		TI_RESERVED_STATUS	01.9021	0xFFFFD	COR
TI_RESERVED_STATUS	1E.8035	0x0000	RO		TI_RESERVED_STATUS	01.9022	0x0000	RO
TI_RESERVED_CONTROL	1E.8050	0x0000	RW		TI_RESERVED_STATUS	01.9023	0x0000	RO
TI_RESERVED_CONTROL	1E.8102	0xF280	RW		TI_RESERVED_STATUS	01.9024	0x0000	RO
TI_RESERVED_CONTROL	1E.A000	0x0000	RW		TI_RESERVED_STATUS	01.9025	0x0000	RO
TI_RESERVED_STATUS	1E.A010	0x0000	RO		TI_RESERVED_STATUS	01.9026	0x0000	RO
TI_RESERVED_STATUS	1E.A011	0x0000	RO		TI_RESERVED_STATUS	01.9027	0x0000	RO
TI_RESERVED_STATUS	1E.A012	0x0000	RO		TI_RESERVED_STATUS	01.9028	0x0000	RO
TI_RESERVED_STATUS	1E.A013	0x0000	RO		TI_RESERVED_STATUS	01.9029	0x0000	RO

## 8 Applications and Implementation

### NOTE

Information in the following applications sections is not part of the TI component specification, and TI does not warrant its accuracy or completeness. TI's customers are responsible for determining suitability of components for their purposes. Customers should validate and test their design implementation to confirm system functionality.

### 8.1 Application Information

The TLK10031 device can be used to convert between XAUI (on the low speed port) and 10GBASE-R signaling (on the high speed port). The high speed side of the device meets the requirements of the 10GBASE-KR physical layer standard for 10 Gbps data transmission over a PCB backplane. The device can also be used for optical physical layers (like 10GBASE-SR or 10GBASE-LR) by interfacing to optical modules requiring SFI or XFI electrical signaling. For optical use cases, KR-specific features like Clause 73 auto-negotiation and link training should be disabled.

### 8.2 Typical Application

A typical application for TLK10031 is to support 10 Gbps Ethernet data transmission over a backplane, e.g., between a network processor or MAC and switch ASIC located on separate cards within a router chassis. A block diagram of this application is shown in [Figure 8-1](#).

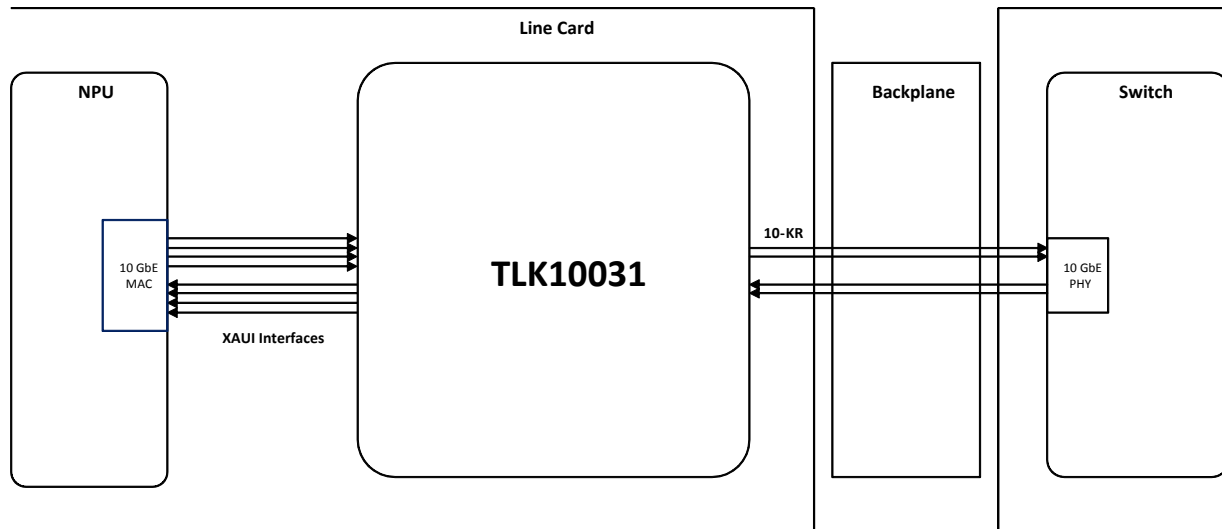


Figure 8-1. Typical Application Circuit

## 8.2.1 Design Requirements

For this design example, use the parameters shown in [Table 8-1](#).

**Table 8-1. Design Parameters**

PARAMETER	VALUE
10GBASE-KR Interface Requirements	
Signaling rate	10.3125 Gbps $\pm$ 100 ppm
Differential peak-to-peak output voltage (maximum)	1200 mV
Total jitter (maximum)	0.28 UI
Encoding	64b/66b
Scrambling?	Yes
Auto-negotiation?	Yes
Link training	Yes
XAUI Interface Requirements	
Signaling rate per lane	3.125 Gbps $\pm$ 100 ppm
Differential peak-to-peak output voltage (maximum)	1600 mV
Total jitter (maximum)	0.35 UI

## 8.2.2 Detailed Design Procedure

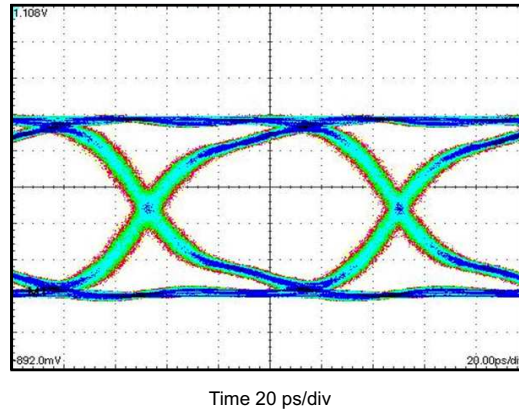
The TLK10031 should be powered via a 1-V (nominal) supply on the VDDD, VDDA, DVDD, VDDT, and VPP rails and by a 1.5-V or 1.8-V (nominal) supply on the VDDR and VDDO rails. The power supply accuracy should be 5% or better, and the user should be careful that resistive losses across the application PCB's power distribution network do not cause the voltage present at the TLK10031 BGA balls to be below specification. If a switched-mode power supply is used, care should be taken to ensure low supply ripple.

A differential reference clock must be provided to either the REFCLK0P/N or REFCLK1P/N input port. The clock signal should be AC-coupled and have a differential amplitude between 250 mV and 2000 mV peak-to-peak. For 10GBASE-R applications, the clock frequency should be either 156.25 MHz or 312.5 MHz and have an accuracy of 100 ppm. Because jitter on the reference clock can transfer through the TLK10031 PLLs and onto the serial outputs, it is best to keep the reference clock's jitter as low as possible (that is, under 1 ps from 10 kHz to 20 MHz) in order to meet the requirements of IEEE 802.3.

All serial inputs and outputs should be laid out on the PCB following best practices for high speed signal integrity. Detailed layout recommendations are given in the [Section 10](#) section.

### 8.2.3 Application Curves

The output eye diagram of the TLK10031 (operated at 10.3125 Gbps under nominal conditions) is shown [Figure 8-2](#).



**Figure 8-2. Eye Diagram of the TLK10031**

## 9 Power Supply Recommendations

The TLK10031 allows either the core or I/O power supply to be powered up for an indefinite period of time while the other supply is not powered up, if all of the following conditions are met:

1. All maximum ratings and recommending operating conditions are followed
2. Bus contention while 1.5/1.8V power is applied (>0V) must be limited to 100 hours over the projected lifetime of the device.
3. Junction temperature is less than 105°C during device operation. Note: Voltage stress up to the absolute maximum voltage values for up to 100 hours of lifetime operation at a TJ of 105°C or lower will minimally impact reliability.

The TLK10031 LVCMOS I/O are not failsafe (i.e. cannot be driven with the I/O power disabled). TLK10031 inputs should not be driven high until their associated power supply is active.



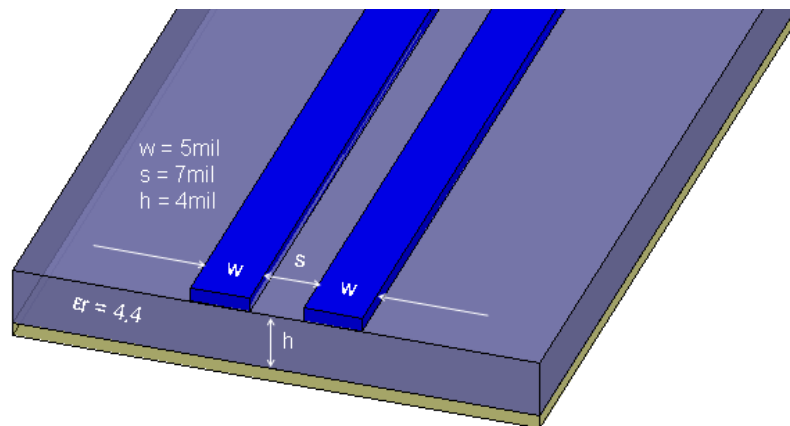
## 10 Layout

### 10.1 Layout Guidelines

#### 10.1.1 TLK10031 High-Speed Data Path

##### 10.1.1.1 Layout Recommendations for High-Speed Signals

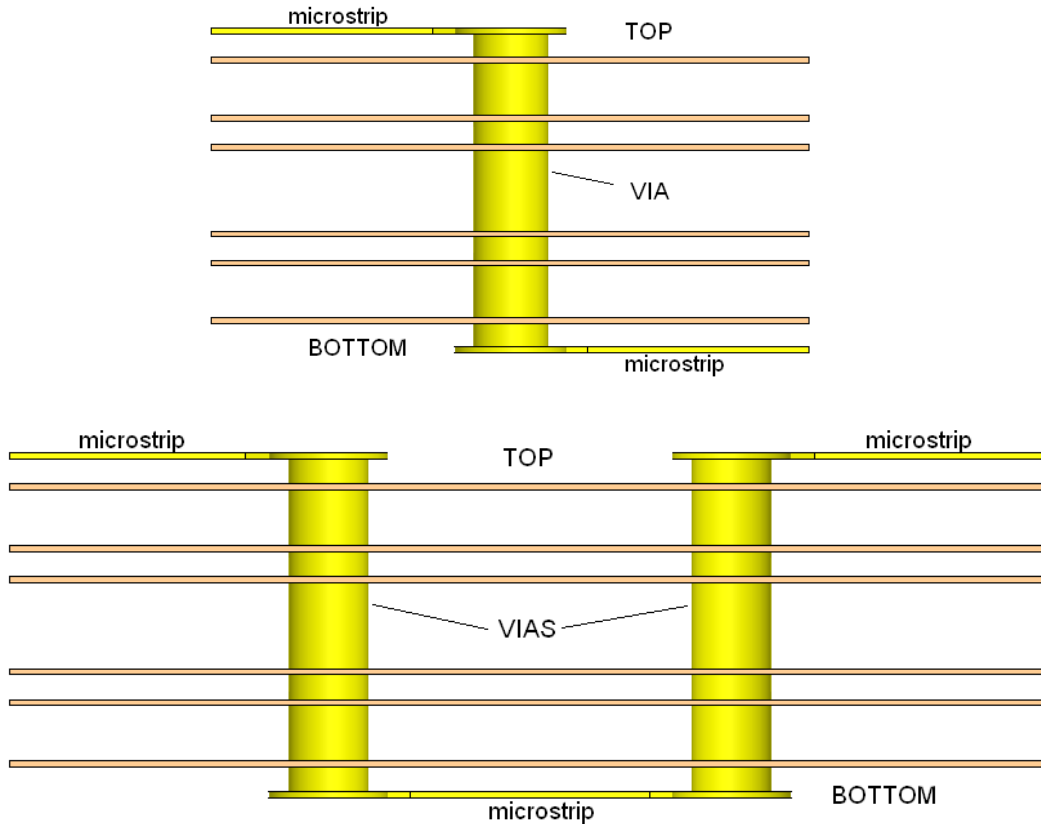
Both “low-speed” side and “high-speed” side serial signals are referred to as “high-speed” signals for the purpose of this document as they support high data rates. For that reason, care must be taken to realize them on a printed circuit board with signal integrity. The high-speed data path CML input pins INA[3:0]P/INA[3:0]N and HSRXAP/HSRXAN, and the CML output pins OUTA[3:0]P/OUTA[3:0]N and HSTXAP/HSTXAN, have to be connected with loosely-coupled 100-Ω differential transmission lines. Differential intra-pair skew needs to be minimized to within ±1 mil. Inter-pair (lane-to-lane) skew for the low-speed signals can be as high as 30 UI. An example of FR-4 printed circuit board (PCB) realization of such differential transmission lines in microstrip format is shown in [Figure 10-1](#).



**Figure 10-1. Differential Microstrip PCB Trace Geometry Example**

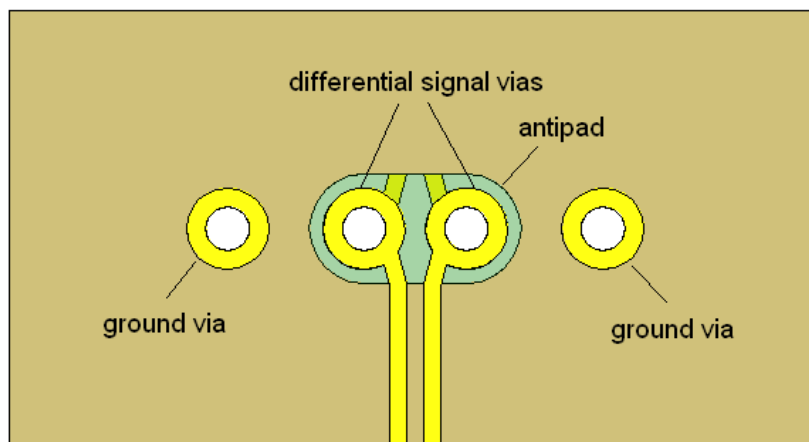
To avoid impedance discontinuities the high-speed serial signals should be routed on a PCB on either the top or bottom PCB layers in microstrip format with no vias. If vias are unavoidable, an absolute minimum number of vias need to be used. The vias should be made to stretch through the entire PCB thickness (as shown in [Figure 10-2](#)) to connect microstrip traces on the top and bottom layers of the PCB so as to leave no via stubs that can severely impact the performance. If stripline traces are absolutely necessary, and if via back-drilling is not possible, then the routing layers should be chosen so as to have via stubs that are shorter than 10 mils.

All unused internal layer via pads on high-speed signal vias should be removed to further improve impedance matching. On the high-speed side, the HSRXAP/HSRXAN signals are more sensitive to impedance discontinuities introduced by vias than HSTXAP/HSTXAN signals. For that reason, if only some of those signals need to be routed with vias, then the latter should be routed with vias and the former with no vias.



**Figure 10-2. Examples of High-speed PCB Traces With Vias That Have no Via Stubs and no Via Pads on Internal Layers**

To further improve on impedance matching, differential vias with neighboring ground vias can be used as shown in [Figure 10-3](#). The optimum dimensions of such a differential via structure depend on various parameters such as the trace geometry, dielectric material, as well as the PCB layer stack-up. A 3D electromagnetic field solver can be used to find the optimum via dimensions.



**Figure 10-3. A Differential PCB Via Structure (Top View)**

PCB traces connected to the HSRXAP/HSRXAN pins should have differential insertion loss of less than 25 dB at 5 GHz.

Surface-mount connector pads such as those used with the SFP/SFP+ module connectors are wider and hence have characteristic impedance that is lower than the regular high-speed PCB traces. If the pads are more than 2 times wider than the PCB traces, the pads' impedance needs to be increased to minimize impedance discontinuities. The easy way of increasing the pads' impedance is to cut out the reference plane immediately under those pads as shown in Figure 10-4 so as to have the pads refer to a reference plane on lower layers while maintaining 100  $\Omega$  differential characteristic impedance.

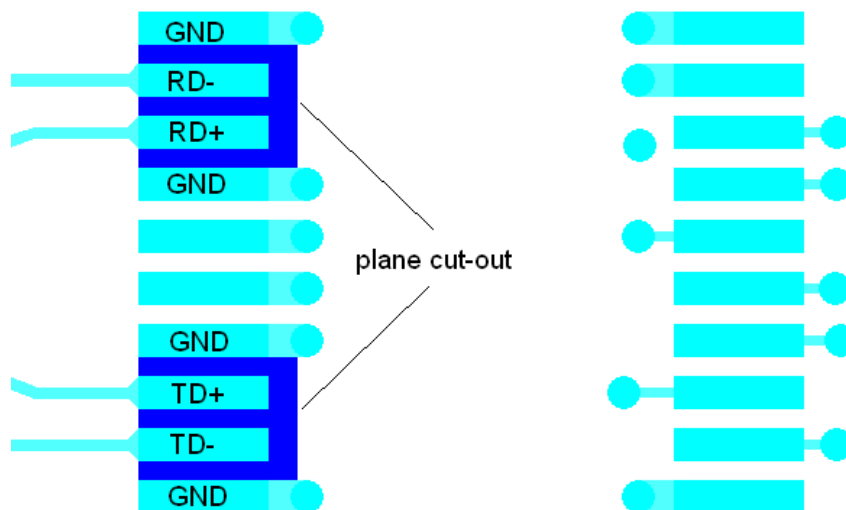


Figure 10-4. Surface-mount Connector Pads

### 10.1.1.2 AC-coupling

A 0.1- $\mu$ F series AC-coupling capacitor should be connected to each of the high-speed data path pins INA[3:0]P/INA[3:0]N, HSRXAP/HSRXAN, OUTA[3:0]P/OUTA[3:0]N, and HSTXAP/HSTXAN. If the TLK10031 high-speed side data path pins are connected to SFP/SFP+ optical modules with internal AC-coupling capacitors, then no external capacitors should be used. Adding additional series capacitors may severely impact the performance.

To avoid impedance discontinuities, it is strongly recommended where possible to make the transmission line trace width closely match the AC-coupling capacitor pad size. Smaller capacitor packages such as 0201 make it easy to meet that condition.

## 10.1.2 TLK10031 Clocks: REFCLK, CLKOUT

### 10.1.2.1 General Information

The TLK10031 device requires a low-jitter reference clock to work. The reference clock can be provided on the REFCLK0P/N or REFCLK1P/N pins. Both reference clock input pins have internal 100- $\Omega$  differential terminations, so they do not need any external terminations. Both reference clock inputs must be AC-coupled with preferably 0.1- $\mu$ F capacitors. The two channels (A and B) can have same or different reference clocks.

The TLK10031 serial receiver recovers clock and data from the incoming serial data. The recovered byte clock is made available on the CLKOUTAP/N pins. The CLKOUTAP/N CML output pins must be AC-coupled with 0.1- $\mu$ F AC-coupling capacitors.

### 10.1.2.2 External Clock Connections

An external clock jitter cleaner, such as Texas Instruments CDCE72010 or CDCM7005, may be used when needed to provide a low jitter reference clock. An example external clock jitter cleaner connection for channel A is shown in Figure 10-5.

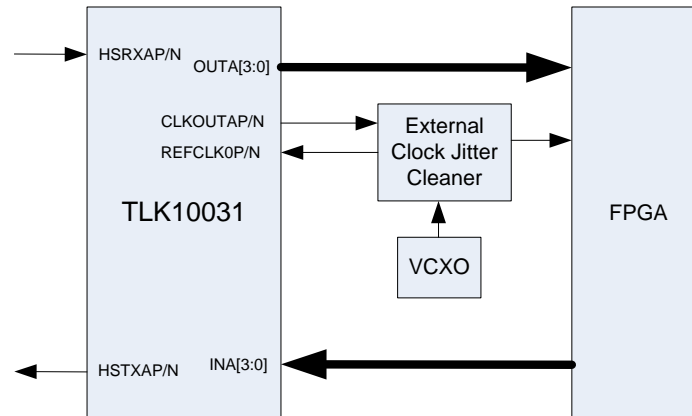


Figure 10-5. An External Clock Jitter Cleaner Connection Example for Channel A

### 10.1.2.3 TLK10031 Control Pins and Interfaces

The TLK10031 device features a number of control pins and interfaces, some of which are described as follows.

#### 10.1.2.3.1 MDIO Interface

The TLK10031 supports the Management Data Input/Output (MDIO) Interface as defined in Clause 22 of the IEEE 802.3 Ethernet specification. The MDIO allows register-based management and control of the serial links.

The MDIO Management Interface consists of a bi-directional data path (MDIO) and a clock reference (MDC). The port address is determined by the PRTAD[4:0] control pins.

The MDIO pin requires a pullup to VDDO[1:0]. No pullup is needed on the MDC pin if driven with a push-pull MDIO master, but a pullup to VDDO[1:0] is needed if driven with an open-drain MDIO master.

#### 10.1.2.3.2 JTAG Interface

The JTAG interface is mostly used for device test. The JTAG interface operates through the TDI, TDO, TMS, TCK, and TRST\_N pins. If not used, all the pins can be left unconnected except TDI and TCK which must be grounded.

#### 10.1.2.3.3 Unused Pins

As a general guideline, any unused LVCMOS input pin needs to be grounded and any unused LVCMOS output pin can be left unconnected. Unused CML differential output pins can be left unconnected. Unused CML differential input pins should be tied to ground through a shared 100-Ω resistor.

## 10.2 Layout Example

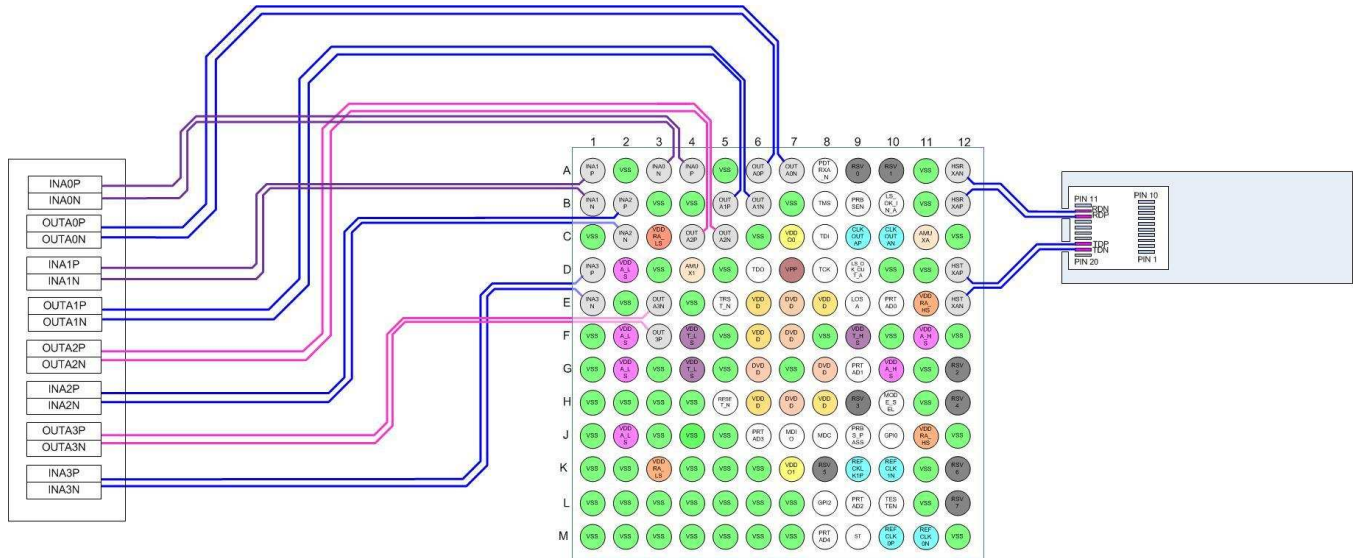


Figure 10-6. Pinout and Routing

## 11 Device and Documentation Support

### 11.1 Community Resources

The following links connect to TI community resources. Linked contents are provided "AS IS" by the respective contributors. They do not constitute TI specifications and do not necessarily reflect TI's views; see TI's [Terms of Use](#).

**[TI E2E™ Online Community](#)** *TI's Engineer-to-Engineer (E2E) Community*. Created to foster collaboration among engineers. At [e2e.ti.com](http://e2e.ti.com), you can ask questions, share knowledge, explore ideas and help solve problems with fellow engineers.

**[Design Support](#)** *TI's Design Support* Quickly find helpful E2E forums along with design support tools and contact information for technical support.

### 11.2 Trademarks

E2E is a trademark of Texas Instruments.

All other trademarks are the property of their respective owners.

### 11.3 Electrostatic Discharge Caution



This integrated circuit can be damaged by ESD. Texas Instruments recommends that all integrated circuits be handled with appropriate precautions. Failure to observe proper handling and installation procedures can cause damage.

ESD damage can range from subtle performance degradation to complete device failure. Precision integrated circuits may be more susceptible to damage because very small parametric changes could cause the device not to meet its published specifications.

### 11.4 Glossary

[SLYZ022](#) — *TI Glossary*.

This glossary lists and explains terms, acronyms, and definitions.

## 12 Mechanical Packaging and Orderable Information

### 12.1 Packaging Information

The following pages include mechanical packaging and orderable information. This information is the most current data available for the designated devices. This data is subject to change without notice and revision of this document. For browser-based versions of this data sheet, refer to the left-hand navigation.

**PACKAGING INFORMATION**

Orderable Device	Status (1)	Package Type	Package Drawing	Pins	Package Qty	Eco Plan (2)	Lead/Ball Finish (6)	MSL Peak Temp (3)	Op Temp (°C)	Device Marking (4/5)	Samples
TLK10031CTR	ACTIVE	FCBGA	CTR	144	119	Green (RoHS & no Sb/Br)	SNAGCU	Level-4-260C-72 HR	-40 to 85	TLK10031	Samples

(1) The marketing status values are defined as follows:

**ACTIVE:** Product device recommended for new designs.

**LIFEBUY:** TI has announced that the device will be discontinued, and a lifetime-buy period is in effect.

**NRND:** Not recommended for new designs. Device is in production to support existing customers, but TI does not recommend using this part in a new design.

**PREVIEW:** Device has been announced but is not in production. Samples may or may not be available.

**OBSOLETE:** TI has discontinued the production of the device.

(2) Eco Plan - The planned eco-friendly classification: Pb-Free (RoHS), Pb-Free (RoHS Exempt), or Green (RoHS & no Sb/Br) - please check <http://www.ti.com/productcontent> for the latest availability information and additional product content details.

**TBD:** The Pb-Free/Green conversion plan has not been defined.

**Pb-Free (RoHS):** TI's terms "Lead-Free" or "Pb-Free" mean semiconductor products that are compatible with the current RoHS requirements for all 6 substances, including the requirement that lead not exceed 0.1% by weight in homogeneous materials. Where designed to be soldered at high temperatures, TI Pb-Free products are suitable for use in specified lead-free processes.

**Pb-Free (RoHS Exempt):** This component has a RoHS exemption for either 1) lead-based flip-chip solder bumps used between the die and package, or 2) lead-based die adhesive used between the die and leadframe. The component is otherwise considered Pb-Free (RoHS compatible) as defined above.

**Green (RoHS & no Sb/Br):** TI defines "Green" to mean Pb-Free (RoHS compatible), and free of Bromine (Br) and Antimony (Sb) based flame retardants (Br or Sb do not exceed 0.1% by weight in homogeneous material)

(3) MSL, Peak Temp. - The Moisture Sensitivity Level rating according to the JEDEC industry standard classifications, and peak solder temperature.

(4) There may be additional marking, which relates to the logo, the lot trace code information, or the environmental category on the device.

(5) Multiple Device Markings will be inside parentheses. Only one Device Marking contained in parentheses and separated by a "~" will appear on a device. If a line is indented then it is a continuation of the previous line and the two combined represent the entire Device Marking for that device.

(6) Lead/Ball Finish - Orderable Devices may have multiple material finish options. Finish options are separated by a vertical ruled line. Lead/Ball Finish values may wrap to two lines if the finish value exceeds the maximum column width.

**Important Information and Disclaimer:** The information provided on this page represents TI's knowledge and belief as of the date that it is provided. TI bases its knowledge and belief on information provided by third parties, and makes no representation or warranty as to the accuracy of such information. Efforts are underway to better integrate information from third parties. TI has taken and continues to take reasonable steps to provide representative and accurate information but may not have conducted destructive testing or chemical analysis on incoming materials and chemicals. TI and TI suppliers consider certain information to be proprietary, and thus CAS numbers and other limited information may not be available for release.

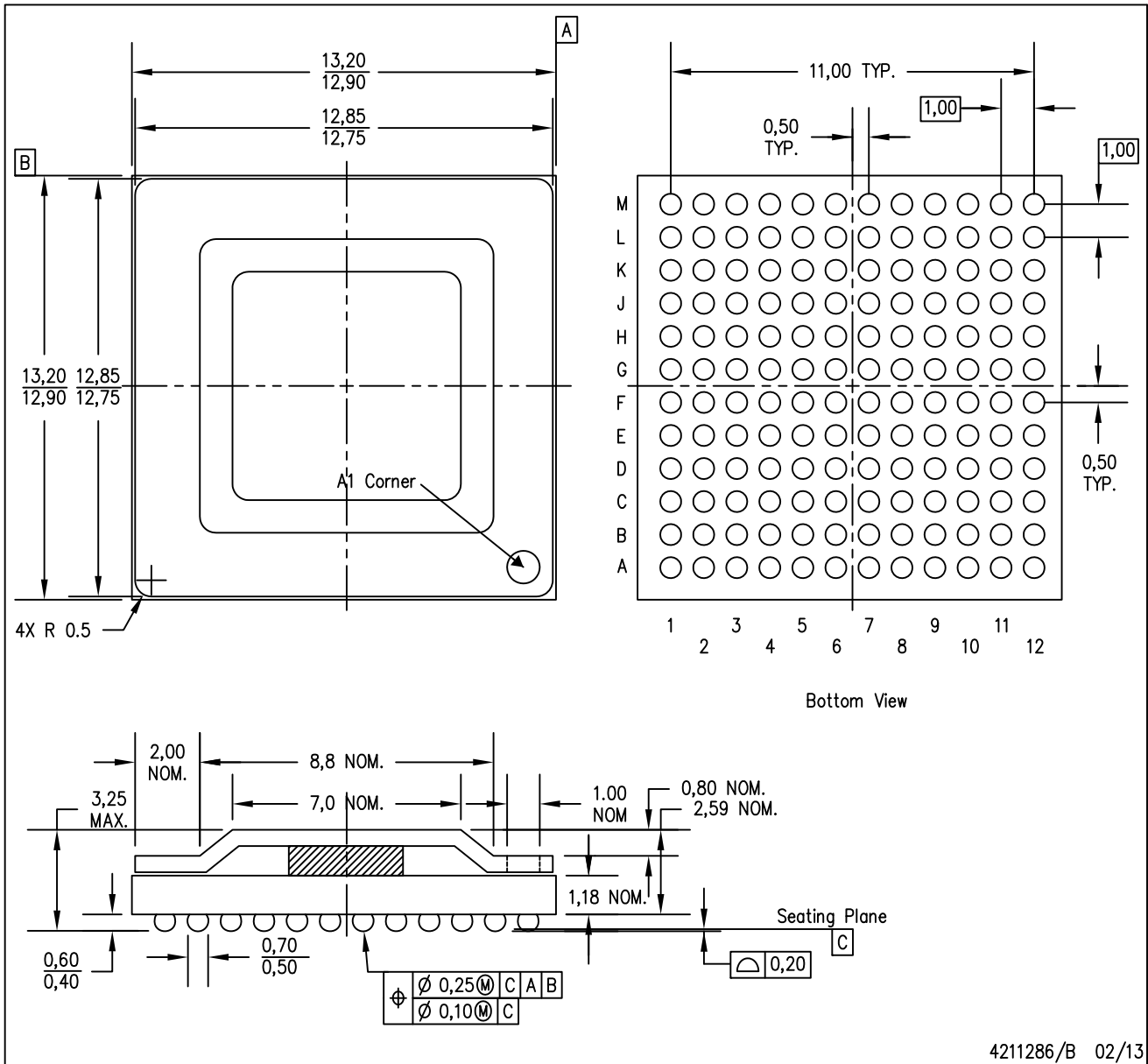
In no event shall TI's liability arising out of such information exceed the total purchase price of the TI part(s) at issue in this document sold by TI to Customer on an annual basis.





CTR (S-PBGA-N144)

PLASTIC BALL GRID ARRAY



- NOTES:
- A. All linear dimensions are in millimeters. Dimensioning and tolerancing per ASME Y14.5M-1994.
  - B. This drawing is subject to change without notice.
  - C. Flip chip application only.
  - D. Pb-free die bump and solder ball.

## IMPORTANT NOTICE

Texas Instruments Incorporated and its subsidiaries (TI) reserve the right to make corrections, enhancements, improvements and other changes to its semiconductor products and services per JESD46, latest issue, and to discontinue any product or service per JESD48, latest issue. Buyers should obtain the latest relevant information before placing orders and should verify that such information is current and complete. All semiconductor products (also referred to herein as "components") are sold subject to TI's terms and conditions of sale supplied at the time of order acknowledgment.

TI warrants performance of its components to the specifications applicable at the time of sale, in accordance with the warranty in TI's terms and conditions of sale of semiconductor products. Testing and other quality control techniques are used to the extent TI deems necessary to support this warranty. Except where mandated by applicable law, testing of all parameters of each component is not necessarily performed.

TI assumes no liability for applications assistance or the design of Buyers' products. Buyers are responsible for their products and applications using TI components. To minimize the risks associated with Buyers' products and applications, Buyers should provide adequate design and operating safeguards.

TI does not warrant or represent that any license, either express or implied, is granted under any patent right, copyright, mask work right, or other intellectual property right relating to any combination, machine, or process in which TI components or services are used. Information published by TI regarding third-party products or services does not constitute a license to use such products or services or a warranty or endorsement thereof. Use of such information may require a license from a third party under the patents or other intellectual property of the third party, or a license from TI under the patents or other intellectual property of TI.

Reproduction of significant portions of TI information in TI data books or data sheets is permissible only if reproduction is without alteration and is accompanied by all associated warranties, conditions, limitations, and notices. TI is not responsible or liable for such altered documentation. Information of third parties may be subject to additional restrictions.

Resale of TI components or services with statements different from or beyond the parameters stated by TI for that component or service voids all express and any implied warranties for the associated TI component or service and is an unfair and deceptive business practice. TI is not responsible or liable for any such statements.

Buyer acknowledges and agrees that it is solely responsible for compliance with all legal, regulatory and safety-related requirements concerning its products, and any use of TI components in its applications, notwithstanding any applications-related information or support that may be provided by TI. Buyer represents and agrees that it has all the necessary expertise to create and implement safeguards which anticipate dangerous consequences of failures, monitor failures and their consequences, lessen the likelihood of failures that might cause harm and take appropriate remedial actions. Buyer will fully indemnify TI and its representatives against any damages arising out of the use of any TI components in safety-critical applications.

In some cases, TI components may be promoted specifically to facilitate safety-related applications. With such components, TI's goal is to help enable customers to design and create their own end-product solutions that meet applicable functional safety standards and requirements. Nonetheless, such components are subject to these terms.

No TI components are authorized for use in FDA Class III (or similar life-critical medical equipment) unless authorized officers of the parties have executed a special agreement specifically governing such use.

Only those TI components which TI has specifically designated as military grade or "enhanced plastic" are designed and intended for use in military/aerospace applications or environments. Buyer acknowledges and agrees that any military or aerospace use of TI components which have **not** been so designated is solely at the Buyer's risk, and that Buyer is solely responsible for compliance with all legal and regulatory requirements in connection with such use.

TI has specifically designated certain components as meeting ISO/TS16949 requirements, mainly for automotive use. In any case of use of non-designated products, TI will not be responsible for any failure to meet ISO/TS16949.

### Products

Audio	<a href="http://www.ti.com/audio">www.ti.com/audio</a>
Amplifiers	<a href="http://amplifier.ti.com">amplifier.ti.com</a>
Data Converters	<a href="http://dataconverter.ti.com">dataconverter.ti.com</a>
DLP® Products	<a href="http://www.dlp.com">www.dlp.com</a>
DSP	<a href="http://dsp.ti.com">dsp.ti.com</a>
Clocks and Timers	<a href="http://www.ti.com/clocks">www.ti.com/clocks</a>
Interface	<a href="http://interface.ti.com">interface.ti.com</a>
Logic	<a href="http://logic.ti.com">logic.ti.com</a>
Power Mgmt	<a href="http://power.ti.com">power.ti.com</a>
Microcontrollers	<a href="http://microcontroller.ti.com">microcontroller.ti.com</a>
RFID	<a href="http://www.ti-rfid.com">www.ti-rfid.com</a>
OMAP Applications Processors	<a href="http://www.ti.com/omap">www.ti.com/omap</a>
Wireless Connectivity	<a href="http://www.ti.com/wirelessconnectivity">www.ti.com/wirelessconnectivity</a>

### Applications

Automotive and Transportation	<a href="http://www.ti.com/automotive">www.ti.com/automotive</a>
Communications and Telecom	<a href="http://www.ti.com/communications">www.ti.com/communications</a>
Computers and Peripherals	<a href="http://www.ti.com/computers">www.ti.com/computers</a>
Consumer Electronics	<a href="http://www.ti.com/consumer-apps">www.ti.com/consumer-apps</a>
Energy and Lighting	<a href="http://www.ti.com/energy">www.ti.com/energy</a>
Industrial	<a href="http://www.ti.com/industrial">www.ti.com/industrial</a>
Medical	<a href="http://www.ti.com/medical">www.ti.com/medical</a>
Security	<a href="http://www.ti.com/security">www.ti.com/security</a>
Space, Avionics and Defense	<a href="http://www.ti.com/space-avionics-defense">www.ti.com/space-avionics-defense</a>
Video and Imaging	<a href="http://www.ti.com/video">www.ti.com/video</a>

### TI E2E Community

[e2e.ti.com](http://e2e.ti.com)