

11.3 Gbps Limiting Amplifier

Check for Samples: [ONET1151P](#)

FEATURES

- Up to 11.3 Gbps Operation
- Two-Wire Digital Interface
- Adjustable LOS Threshold
- Digitally Selectable Output Voltage
- Digitally Selectable Output De-Emphasis
- Adjustable Input Threshold Voltage
- Output Polarity Select
- Programmable LOS Masking Time
- Input Offset Cancellation
- CML Data Outputs with On-Chip 50-Ω Back-Termination to VCC
- Single +3.3-V Supply
- Low Power Consumption

- Output Disable
- Surface Mount Small Footprint 3 mm × 3 mm 16-Pin RoHS Compliant QFN Package
- Pin Compatible to the ONET8501PB

APPLICATIONS

- 10 Gigabit Ethernet Optical Receivers
- 2x/4x/8x and 10x Fibre Channel Optical Receivers
- SONET OC-192/SDH-64 Optical Receivers
- SFP+ and XFP Transceiver Modules
- Cable Driver and Receiver

DESCRIPTION

The ONET1151P is a high-speed, 3.3-V limiting amplifier for multiple fiber optic and copper cable applications with data rates up to 11.3 Gbps.

The device provides a two-wire serial interface which allows digital control of the output amplitude, output pre-emphasis, input threshold voltage (slice level) and the loss of signal assert level.

The ONET1151P provides a gain of about 33dB which ensures a fully differential output swing for input signals as low as 20 mV_{p-p}. The output amplitude can be adjusted between 350 mV_{p-p} and 850 mV_{p-p}. To compensate for frequency dependent loss of microstrips or striplines connected to the output of the device, programmable de-emphasis is included in the output stage. A settable loss of signal (LOS) detection with programmable output masking time and output disable are also provided.

The part, available in RoHS compliant small footprint 3 mm x 3 mm 16-pin QFN package, typically dissipates 132 mW with 550 mV_{p-p} output and is characterized for operation from -40°C to 100°C.



Please be aware that an important notice concerning availability, standard warranty, and use in critical applications of Texas Instruments semiconductor products and disclaimers thereto appears at the end of this data sheet.



This integrated circuit can be damaged by ESD. Texas Instruments recommends that all integrated circuits be handled with appropriate precautions. Failure to observe proper handling and installation procedures can cause damage.

ESD damage can range from subtle performance degradation to complete device failure. Precision integrated circuits may be more susceptible to damage because very small parametric changes could cause the device not to meet its published specifications.

BLOCK DIAGRAM

A simplified block diagram of the ONET1151P is shown in Figure 1.

This compact, low power 11.3 Gbps limiting amplifier consists of a high-speed data path with offset cancellation block (DC feedback) combined with an analog settable input threshold adjust, a loss of signal detection block using 2 peak detectors, a two-wire interface with a control-logic block and a bandgap voltage reference and bias current generation block.

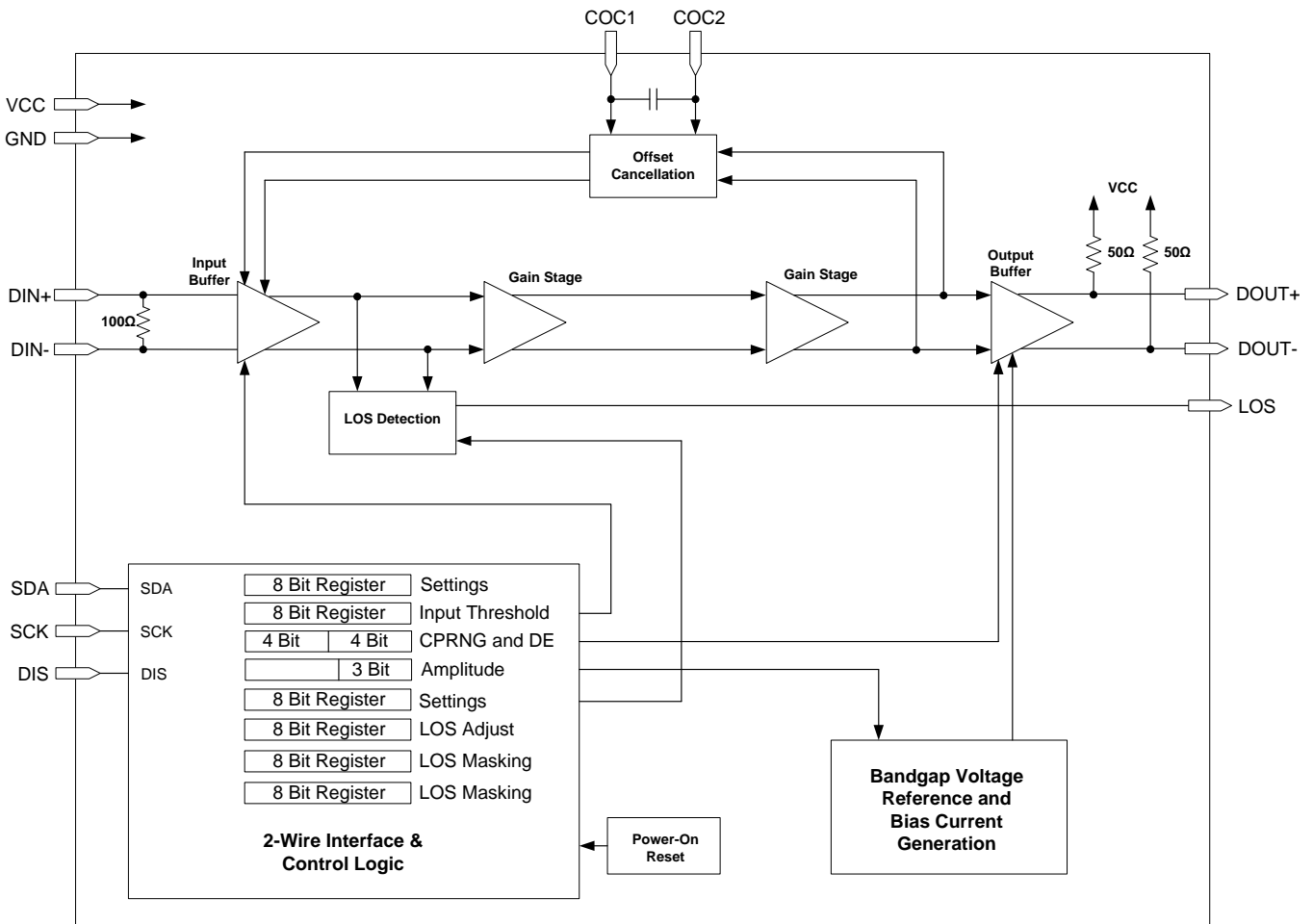


Figure 1. Simplified Block Diagram of the ONET1151P

PACKAGE

The ONET1151P is available in a small footprint 3 mm x 3 mm 16-pin RoHS compliant QFN package with a lead pitch of 0.5 mm. The pinout is shown in Figure 2.

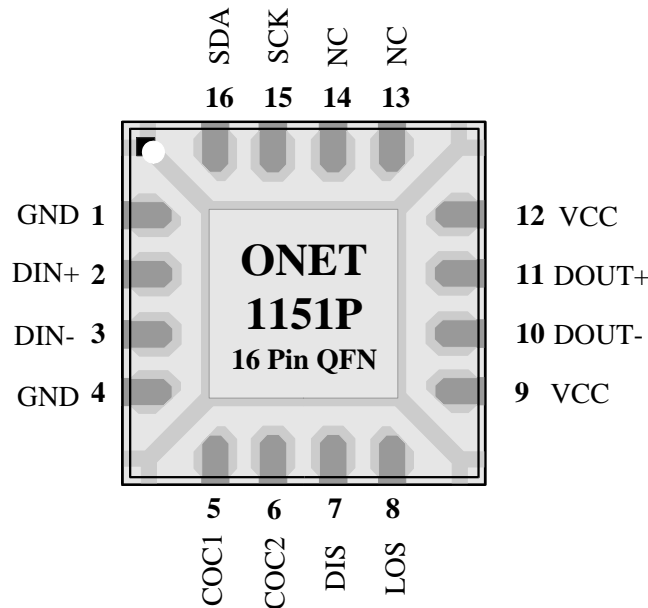


Figure 2. Pinout of ONET1151P in a 3mm x 3mm 16-Pin QFN Package (Top View)

Table 1. PIN DESCRIPTIONS

PIN		TYPE	DESCRIPTION
NAME	NO.		
GND	1, 4, EP	Supply	Circuit ground. Exposed die pad (EP) must be grounded.
DIN+	2	Analog-input	Non-inverted data input. Differentially 100 Ω terminated to DIN–.
DIN–	3	Analog-input	Inverted data input. Differentially 100 Ω terminated to DIN+.
COC1	5	Analog	Offset cancellation filter capacitor plus terminal. An external capacitor can be connected between this pin and COC2 to reduce the low frequency cutoff. To disable the offset cancellation loop, connect COC1 and COC2 together.
COC2	6	Analog	Offset cancellation filter capacitor minus terminal. An external capacitor can be connected between this pin and COC1 to reduce the low frequency cutoff. To disable the offset cancellation loop, connect COC1 and COC2 together.
DIS	7	Digital-input	Disables the output stage when set to a high level.
LOS	8	Open drain MOS	High level indicates that the input signal amplitude is below the programmed threshold level. Open drain output. Requires an external 10kΩ pull-up resistor to VCC for proper operation.
VCC	9, 12	Supply	3.3-V supply voltage.
DOUT–	10	CML-out	Inverted data output. On-chip 50 Ω back-terminated to VCC.
DOUT+	11	CML-out	Non-inverted data output. On-chip 50 Ω back-terminated to VCC.
NC	13, 14	No Connect	Do not connect
SCK	15	Digital-input	Serial interface clock input. Connect a pull-up resistor (10 kΩ typical) to VCC.
SDA	16	Digital-input	Serial interface data input. Connect a pull-up resistor (10 kΩ typical) to VCC.

ABSOLUTE MAXIMUM RATINGS⁽¹⁾

over operating free-air temperature range (unless otherwise noted)

PARAMETER		VALUE		UNIT
		MIN	MAX	
V _{CC}	Supply voltage ⁽²⁾	-0.3	4	V
V _{DIN+} , V _{DIN-}	Voltage at DIN+, DIN- ⁽²⁾	0.5	4	V
V _{LOS} , V _{COC1} , V _{COC2} , V _{DOUT+} , V _{DOUT-} , V _{DIS} , V _{SDA} , V _{SCK}	Voltage at LOS, COC1, COC2, DOUT+, DOUT-, DIS, SDA, SCK ⁽²⁾	-0.3	4.0	V
V _{DIN, DIFF}	Differential voltage between DIN+ and DIN-		±2.5	V
I _{DIN+} , I _{DIN-} , I _{DOUT+} , I _{DOUT-}	Continuous current at inputs and outputs		25	mA
ESD	ESD rating at all pins		2	kV (HBM)
T _A	Characterized free-air operating temperature range	-40	100	°C
T _{J, max}	Maximum junction temperature		125	°C
T _{STG}	Storage temperature range	-65	150	°C
T _C	Case temperature	-40	110	°C
T _{LEAD}	Lead temperature 1.6mm (1/16 inch) from case for 10 seconds		260	°C

- (1) Stresses beyond those listed under *Absolute Maximum Ratings* may cause permanent damage to the device. These are stress ratings only, and functional operation of the device at these or any other conditions beyond those indicated under *Recommended Operating Conditions* is not implied. Exposure to absolute-maximum-rated conditions for extended periods may affect device reliability.
- (2) All voltage values are with respect to network ground terminal.

RECOMMENDED OPERATING CONDITIONS

over operating free-air temperature range (unless otherwise noted)

PARAMETER		TEST CONDITIONS	VALUE			UNIT
			MIN	TYP	MAX	
V _{CC}	Supply voltage	T _A = -40°C to +100°C	2.9	3.3	3.63	V
		T _A = -30°C to +100°C	2.85	3.3	3.63	
T _A	Operating free-air temperature		-40		100	°C
	DIGITAL input high voltage		2.0			V
	DIGITAL input low voltage				0.8	V

DC ELECTRICAL CHARACTERISTICS

over recommended operating conditions with 50-Ω output load, 550 mV_{p-p} output voltage and BIAS bit (Register 7) set to 1, unless otherwise noted. Typical operating condition is at 3.3 V and T_A = 25°C

PARAMETER		TEST CONDITIONS	VALUE			UNIT
			MIN	TYP	MAX	
V _{CC}	Supply voltage	T _A = -40°C to +100°C	2.9	3.3	3.63	V
		T _A = -30°C to +100°C	2.85	3.3	3.63	
I _{VCC}	Supply current	DIS = 0, CML currents included		40	52	mA
R _{IN}	Data input resistance	Differential		100		Ω
R _{OUT}	Data output resistance	Single-ended, referenced to V _{CC}		50		Ω
	LOS HIGH voltage	I _{SOURCE} = 50 μA with 10 kΩ pull-up to V _{CC}	2.3			V
	LOS LOW voltage	I _{SINK} = 10 mA with 10 kΩ pull-up to V _{CC}			0.4	V

AC ELECTRICAL CHARACTERISTICS

over recommended operating conditions with 50-Ω output load, 550mVpp output voltage and BIAS bit (Register 7) set to 1, unless otherwise noted. Typical operating condition is at $V_{CC} = 3.3\text{ V}$ and $T_A = 25^\circ\text{C}$.

PARAMETER	TEST CONDITIONS	VALUE			UNIT
		MIN	TYP	MAX	
f3dB-H	-3dB bandwidth default settings	7.5	9.5		GHz
f3dB-L	Low frequency -3dB bandwidth	With 330 pF COC capacitor			kHz
V _{IN,MIN}	Data input sensitivity	PRBS31 pattern at 11.3 Gbps, BER < 10 ⁻¹²			mV _{p-p}
		V _{OD-min} ≥ 0.95 * V _{OD} (output limited)			
SDD11	Differential input return gain	0.01 GHz < f < 5 GHz			dB
		5 GHz < f < 12.1 GHz			
SDD22	Differential output return gain	0.01 GHz < f < 5 GHz			dB
		5 GHz < f < 12.1 GHz			
SCD11	Differential to common mode conversion gain	0.01 GHz < f < 12.1 GHz			dB
SCC22	Common mode output return gain	0.01 GHz < f < 5 GHz			dB
		5 GHz < f < 12.1 GHz			
A	Small signal gain	26	33		dB
V _{IN-MAX}	Data input overload	BIAS (Reg7 bit 0) set to 1			mV _{p-p}
DJ	Deterministic jitter at 11.3 Gbps	V _{IN} = 15 mV _{p-p} , K28.5 pattern			ps _{p-p}
		V _{IN} = 30 mV _{p-p} , K28.5 pattern			
		V _{IN} = 2000 mV _{p-p} , K28.5 pattern			
RJ	Random jitter	V _{IN} = 30 mV _{p-p}			ps _{rms}
V _{OD}	Differential data output voltage	V _{IN} > 30 mV _{p-p} , DIS = 0, AMP[0..2] = 000			mV _{p-p}
		V _{IN} > 30 mV _{p-p} , DIS = 0, AMP[0..2] = 111			
		DIS = 1			mV _{rms}
V _{PREEM}	Output de-emphasis step size	1			dB
t _R	Output rise time	20% – 80%, V _{IN} > 30 mV _{p-p}			ps
t _F	Output fall time	20% – 80%, V _{IN} > 30 mV _{p-p}			ps
CMOV	AC common mode output voltage	PRBS31 pattern; AMP[0..2] = 010			mV _{rms}
V _{TH}	LOW LOS assert threshold range min.	K28.5 pattern at 11.3 Gbps, LOSRNG = 0			mV _{p-p}
	LOW LOS assert threshold range max.	K28.5 pattern at 11.3 Gbps, LOSRNG = 0			
V _{TH}	HIGH LOS assert threshold range min.	K28.5 pattern at 11.3 Gbps, LOSRNG = 1			mV _{p-p}
	HIGH LOS assert threshold range max.	K28.5 pattern at 11.3 Gbps, LOSRNG = 1			
LOS threshold variation	Versus temperature at 11.3 Gbps	1.5			dB
	Versus supply voltage VCC at 11.3 Gbps	1			dB
	Versus data rate	1.5			dB
LOS hysteresis (electrical)	K28.5 pattern at 11.3 Gbps	2	4	6.5	dB
T _{LOS_AST}	LOS assert time	2.5	10	80	μs
T _{LOS_DEA}	LOS deassert time	2.5	10	80	μs
	Maximum LOS output masking time	2000			μs
	LOS masking time step size	32			μs
T _{DIS}	Disable response time	20			ns

DETAILED DESCRIPTION

HIGH-SPEED DATA PATH

The high-speed data signal is applied to the data path by means of input signal pins DIN+ / DIN-. The data path consists of a 100- Ω differential termination resistor followed by an input buffer. A gain stage and an output buffer stage follow the input buffer, which together provide a gain of 33dB. The device can accept input amplitude levels from 6mV_{p-p} up to 2000mV_{p-p}. The amplified data output signal is available at the output pins DOUT+ / DOUT- which include on-chip 2 x 50- Ω back-termination to VCC.

Offset cancellation compensates for internal offset voltages and thus ensures proper operation even for very small input data signals. The offset cancellation can be disabled so that the input threshold voltage can be adjusted to optimize the bit error rate or change the eye crossing to compensate for input signal pulse width distortion. The offset cancellation can be disabled by setting OCDIS = 1 (bit 1 of register 0). The input threshold level can be adjusted using register settings THADJ[0..7] (register 1). When register 1 is set to 0x00, the threshold adjustment circuitry is disabled to reduce the supply current. Setting register 1 to any other value will enable the circuitry and the supply current will increase by approximately 2 mA. The amount of adjustment that register 1 can provide is controlled by the CPRNG[1..0] bits (register 2). For details regarding input threshold adjust and range, see [Table 12](#).

The low frequency cutoff is as low as 80 kHz with the built-in filter capacitor. For applications, which require even lower cutoff frequencies, an additional external filter capacitor may be connected to the COC1 and COC2 pins. A value of 330 pF results in a low frequency cutoff of 10 kHz.

The receiver can be optimized for various applications using the settings in register 7. To enable the settings, set the SEL bit (bit 7 of register 7) to 1. It is recommended that the BIAS bit (bit 0 of register 7) be set to 1, especially if the input voltage to the ONET1151P will exceed about 500 mV_{p-p} differential. Setting BIAS to 1 adds 2 mA of bias current to the input stage, making it more robust for high input voltages. For input voltages lower than 500 mV_{p-p}, as typically would be supplied from a transimpedance amplifier (TIA), BIAS can be set to 0 to reduce the supply current. In addition, the RXOPT[1..0] bits (register 7) can be used to optimize the jitter based upon the TIA that is used. When RXOPT is set to 00, there is some input equalization set at the input to the limiting amplifier. This is a good general setting to use and for most applications it is recommended to set register 7 to 0x81. If the input voltage to the limiting amplifier does not exceed about 500 mV_{p-p} differential, then the jitter may be reduced by setting register 7 to 0x85.

BANDGAP VOLTAGE AND BIAS GENERATION

The ONET1151P limiting amplifier is supplied by a single +3.3-V supply voltage connected to the VCC pins. This voltage is referred to ground (GND).

On-chip bandgap voltage circuitry generates a reference voltage, independent of supply voltage, from which all other internally required voltages and bias currents are derived.

HIGH-SPEED OUTPUT BUFFER

The output amplitude of the buffer can be varied from 350 mV_{p-p} to 850 mV_{p-p} using the register settings AMP[0..2] (register 3) via the serial interface. The default amplitude setting is AMP[0..2] = 010 which provides 550 mV_{p-p} differential output voltage. To compensate for frequency dependant losses of transmission lines connected to the output, the ONET1151P has adjustable de-emphasis of the output stage. The de-emphasis can be set from 0 to 8dB in 1dB steps using register settings DEADJ[0..3] (register 2).

In addition, the polarity of the output pins can be inverted by setting the output polarity switch bit, POL (bit 4 of register 0) to 1.

LOSS OF SIGNAL DETECTION

The loss of signal detection is done by 2 separate level detectors to cover a wide dynamic range. The peak values of the input signal and the output signal of the gain stage are monitored by the peak detectors. The peak values are compared to a pre-defined loss of signal threshold voltage inside the loss of signal detection block. As a result of the comparison, the LOS signal, which indicates that the input signal amplitude is below the defined threshold level, is generated. The LOS assert level is settable through the serial interface. There are 2 LOS ranges settable with the LOSRNG bit (bit 2 register 0). By setting LOSRNG = 1, the high range of the LOS assert values are used (35 mV_{p-p} to 80 mV_{p-p}) and by setting LOSRNG = 0, the low range of the LOS assert values are used (15 mV_{p-p} to 35 mV_{p-p}).

There are 128 possible internal LOS settings (7bit) for each LOS range to adjust the LOS assert level. If the LOS register selection bit is set low, LOSSEL = 0 (bit 7 of register 11), then the default LOS assert level of approximately 25 mV_{p-p} is used. If the register selection bit is set high, LOSSEL = 1 (bit 7 of register 11), then the content of LOS[0..6] (register 11) is used to set the LOS assert level.

An LOS output masking time can be enabled on the raising and falling edges of the LOS output signal. The LOS rising edge masking time is enabled by setting LOSTMRENA = 1 (bit 7 of register 13) and the time programmed using LOSTMR[0..6] (register 13). The LOS falling edge masking time is enabled by setting LOSTMFENA = 1 (bit 7 of register 12) and the time programmed using LOSTMF[0..6] (register 12). This feature is used to mask a false input to the limiting amplifier after a loss of signal has occurred or when the input signal is re-applied. The masking time can be set from 10 μs to 2 ms.

2-WIRE INTERFACE AND CONTROL LOGIC

The ONET1151P uses a 2-wire serial interface for digital control. The two circuit inputs, SDA and SCK, are driven, respectively, by the serial data and serial clock from a microcontroller, for example. Both inputs include 100-kΩ pull-up resistors to VCC. For driving these inputs, an open drain output is recommended.

The 2-wire interface allows write access to the internal memory map to modify control registers and read access to read out control and status signals. The ONET1151P is a slave device only which means that it can not initiate a transmission itself; it always relies on the availability of the SCK signal for the duration of the transmission. The master device provides the clock signal as well as the START and STOP commands. The protocol for a data transmission is as follows:

1. START command
2. 7 bit slave address (1000100) followed by an eighth bit which is the data direction bit (R/W). A zero indicates a WRITE and a 1 indicates a READ.
3. 8-bit register address
4. 8-bit register data word
5. STOP command

Regarding timing, the ONET1151P is I²C compatible. The typical timing is shown in [Figure 3](#) and complete data transfer is shown in [Figure 4](#). Parameters for [Figure 3](#) are defined in [Table 2](#).

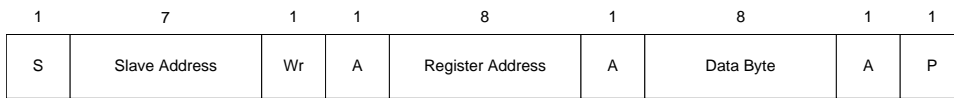
Bus Idle: Both SDA and SCK lines remain HIGH.

Start Data Transfer: A change in the state of the SDA line, from HIGH to LOW, while the SCK line is HIGH, defines a START condition (S). Each data transfer is initiated with a START condition.

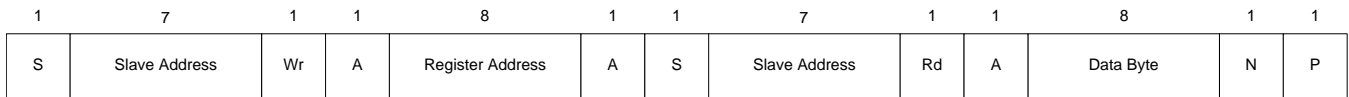
Stop Data Transfer: A change in the state of the SDA line from LOW to HIGH while the SCK line is HIGH defines a STOP condition (P). Each data transfer is terminated with a STOP condition; however, if the master still wishes to communicate on the bus, it can generate a repeated START condition and address another slave without first generating a STOP condition.

Data Transfer: Only one data byte can be transferred between a START and a STOP condition. The receiver acknowledges the transfer of data.

Write Sequence



Read Sequence



Legend

- | |
|---|
| S |
|---|

 Start Condition

- | |
|----|
| Wr |
|----|

 Write Bit (bit value = 0)

- | |
|----|
| Rd |
|----|

 Read Bit (bit value = 1)

- | |
|---|
| A |
|---|

 Acknowledge

- | |
|---|
| N |
|---|

 Not Acknowledge

- | |
|---|
| P |
|---|

 Stop Condition

Figure 4. Data Transfer

REGISTER MAPPING

The register mapping for read/write register addresses 0 (0x00) through 13 (0x0D) are shown in [Table 3](#) through [Table 10](#). The register mapping for the read only register address 15 (0x0F) is shown in [Table 11](#). [Table 12](#) describes the circuit functionality based on the register settings.

Table 3. Register 0 (0x00) Mapping – Control Settings

Register Address 0 (0x00)							
Bit 7	Bit 6	Bit 5	Bit 4	Bit 3	Bit 2	Bit 1	Bit 0
-	-	CLKDIS	POL	DIS	LOSRNG	OCDIS	-

Table 4. Register 1 (0x01) Mapping – Input Threshold Adjust

Register Address 1 (0x01)							
Bit 7	Bit 6	Bit 5	Bit 4	Bit 3	Bit 2	Bit 1	Bit 0
THADJ7	THADJ6	THADJ5	THADJ4	THADJ3	THADJ2	THADJ1	THADJ0

Table 5. Register 2 (0x02) Mapping – Cross Point Range and De-emphasis Adjust

Register Address 2 (0x02)							
Bit 7	Bit 6	Bit 5	Bit 4	Bit 3	Bit 2	Bit 1	Bit 0
-	-	CPRNG1	CPRNG0	DEADJ3	DEADJ2	DEADJ1	DEADJ0

Table 6. Register 3 (0x03) Mapping – Output Amplitude Adjust

Register Address 3 (0x03)							
Bit 7	Bit 6	Bit 5	Bit 4	Bit 3	Bit 2	Bit 1	Bit 0
-	-	-	-	-	AMP2	AMP1	AMP0

Table 7. Register 7 (0x07) Mapping – Receiver Optimization

Register Address 7 (0x07)							
Bit 7	Bit 6	Bit 5	Bit 4	Bit 3	Bit 2	Bit 1	Bit 0
SEL	-	-	-	RXOPT1	RXOPT0	-	BIAS

Table 8. Register 11 (0x0B) Mapping – LOS Assert Level

Register Address 11 (0x0B)							
Bit 7	Bit 6	Bit 5	Bit 4	Bit 3	Bit 2	Bit 1	Bit 0
LOSSEL	LOSA6	LOSA5	LOSA4	LOSA3	LOSA2	LOSA1	LOSA0

Table 9. Register 12 (0x0C) Mapping – Falling Edge LOS Masking Register

Register Address 12 (0x0C)							
Bit 7	Bit 6	Bit 5	Bit 4	Bit 3	Bit 2	Bit 1	Bit 0
LOSTMFENA	LOSTMF6	LOSTMF5	LOSTMF4	LOSTMF3	LOSTMF2	LOSTMF1	LOSTMF0

Table 10. Register 13 (0x0D) Mapping – Rising Edge LOS Masking Register

Register Address 13 (0x0D)							
Bit 7	Bit 6	Bit 5	Bit 4	Bit 3	Bit 2	Bit 1	Bit 0
LOSTMRENA	LOSTM6	LOSTM5	LOSTM4	LOSTM3	LOSTM2	LOSTM1	LOSTM0

Table 11. Register 15 (0x0F) Mapping – Selected LOS Level (Read Only)

Register Address 15 (0x0F)							
Bit 7	Bit 6	Bit 5	Bit 4	Bit 3	Bit 2	Bit 1	Bit 0
-	SELLOS6	SELLOS5	SELLOS4	SELLOS3	SELLOS2	SELLOS1	SELLOS0

Table 12. Register Functionality

Register	Bit	Symbol	Function
0	7	-	
	6	-	
	5	CLKDIS	Disable I²C clock: 1 = clock disabled when DIS pin is high 0 = clock enabled
	4	POL	Output polarity switch bit: 1 = inverted polarity 0 = normal polarity
	3	DIS	Output disable bit: 1 = output disabled 0 = output enabled
	2	LOSRNG	LOS range bit: 1 = high LOS assert voltage range 0 = low LOS assert voltage range
	1	OCDIS	Offset cancellation disable bit: 1 = offset cancellation is disabled 0 = offset cancellation is enabled
	0	-	Reserved
1	7	THADJ7	Input threshold adjustment setting: Circuit disabled for 00000000 (0) – low supply current option Maximum positive shift for 00000001 (1) Minimum positive shift for 01111111 (127) Zero shift for 10000000 (128) – added supply current Minimum negative shift for 10000001 (129) Maximum negative shift for 11111111 (255)
	6	THADJ6	
	5	THADJ5	
	4	THADJ4	
	3	THADJ3	
	2	THADJ2	
	1	THADJ1	
	0	THADJ0	
2	7	-	Cross point range setting: Minimum range for 00 Maximum range for 11 De-emphasis setting: 0000 = 0dB 0100 = 3dB 1100 = 6dB 0001 = 1dB 0101 = 4dB 1101 = 7dB 0011 = 2dB 0111 = 5dB 1111 = 8dB
	6	-	
	5	CPRNG1	
	4	CPRNG0	
	3	PEADJ3	
	2	PEADJ2	
	1	PEADJ1	
	0	PEADJ0	
3	7	-	Output amplitude adjustment: 000 = 350 mV _{p-p} , 001 = 450 mV _{p-p} , 010 = 550 mV _{p-p} (default), 011 = 600 mV _{p-p} 100 = 650 mV _{p-p} , 101 = 700 mV _{p-p} , 110 = 750 mV _{p-p} , 111 = 850 mV _{p-p}
	6	-	
	5	-	
	4	-	
	3	-	
	2	AMP2	
	1	AMP1	
	0	AMP0	

Table 12. Register Functionality (continued)

Register	Bit	Symbol	Function
7	7	SEL	Receiver Optimization: 1 = Content of register used to optimize the receiver 0 = Default receiver settings
	6	-	
	5	-	
	4	-	
	3	RXOPT1	00 = Some input equalization (recommended) 01 = Reduced input equalization
	2	RXOPT0	
	1	-	
	0	BIAS	Bias current for input stage control bit: 1 = Add 2 mA extra bias current to the input stage (recommended). 0 = Default
11	7	LOSSEL	LOS assert level: LOSSEL = 1
	6	LOSA6	
	5	LOSA5	Content of register bits 6 to 0 is used to select the LOS assert level
	4	LOSA4	Minimum LOS assert level for 0000000
	3	LOSA3	Maximum LOS assert level for 1111111
	2	LOSA2	LOSASEL = 0
	1	LOSA1	Default LOS assert level of 25 mV _{p-p} is used
	0	LOSA0	
12	7	LOSTMFENA	Falling edge LOS mask enable and duration:
	6	LOSTMF6	LOSTMFENA = 1 enables falling edge LOS masking
	5	LOSTMF5	LOSTMFENA = 0 disables falling edge LOS masking
	4	LOSTMF4	Mask time < 10 μs for 000000
	3	LOSTMF3	Mask time > 2 ms for 111111
	2	LOSTMF2	
	1	LOSTMF1	
	0	LOSTMF0	
13	7	LOSTMRENA	Rising edge LOS mask enable and duration:
	6	LOSTMRENA	LOSTMRENA = 1 enables rising edge LOS masking
	5	LOSTMRENA	LOSTMRENA = 0 disables rising edge LOS masking
	4	LOSTMRENA	Mask time < 10 μs for 000000
	3	LOSTMRENA	Mask time > 2 ms for 111111
	2	LOSTMRENA	
	1	LOSTMRENA	
	0	LOSTMRENA	
15	-	-	Selected LOS assert level (read only)
	6	SELLOS6	
	5	SELLOS5	
	4	SELLOS4	
	3	SELLOS3	
	2	SELLOS2	
	1	SELLOS1	
	0	SELLOS0	

APPLICATION INFORMATION

Figure 5 shows a typical application circuit using the ONET1151P.

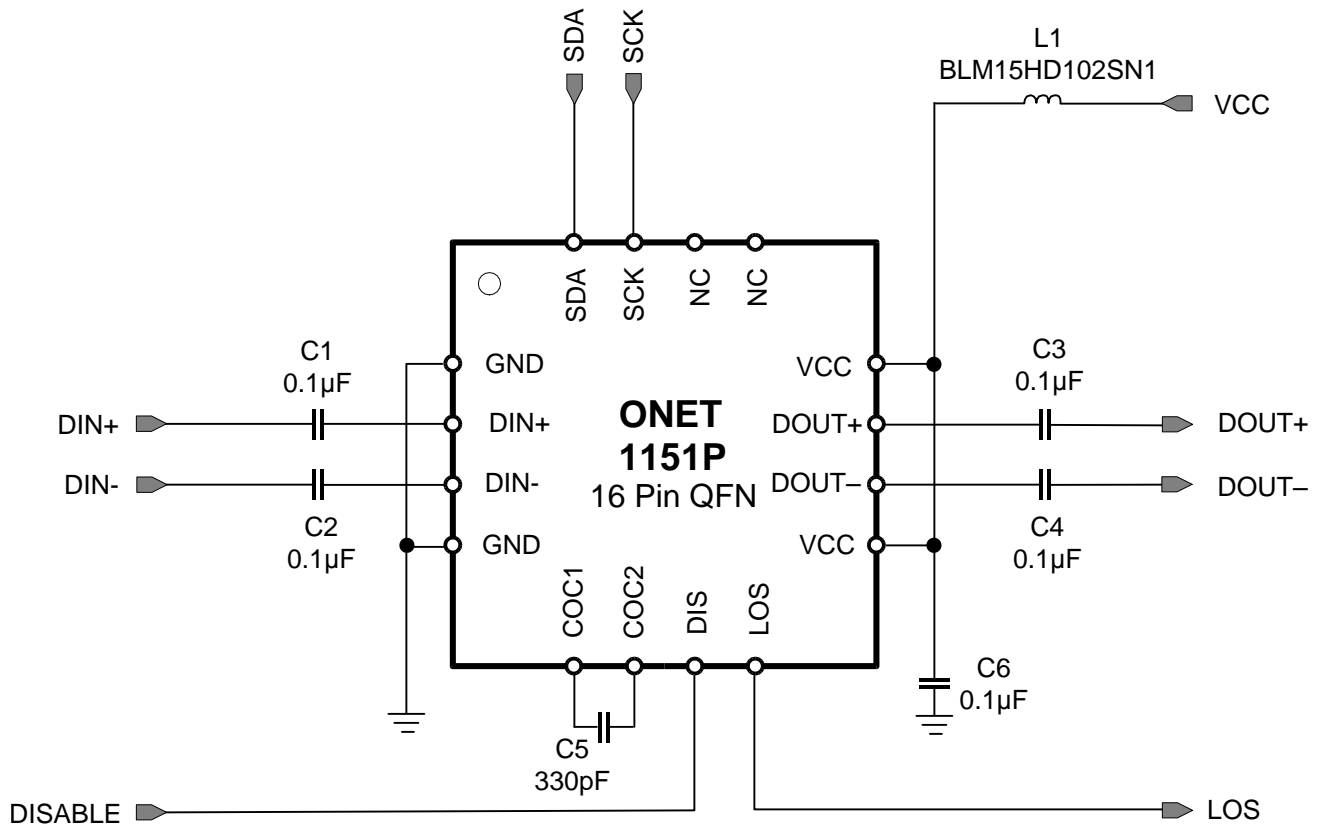


Figure 5. Typical Application Circuit

TYPICAL CHARACTERISTICS

Typical operating condition is at $V_{CC} = 3.3\text{ V}$, $T_A = 25^\circ\text{C}$, and Register 7 set to 0x81 (unless otherwise noted).

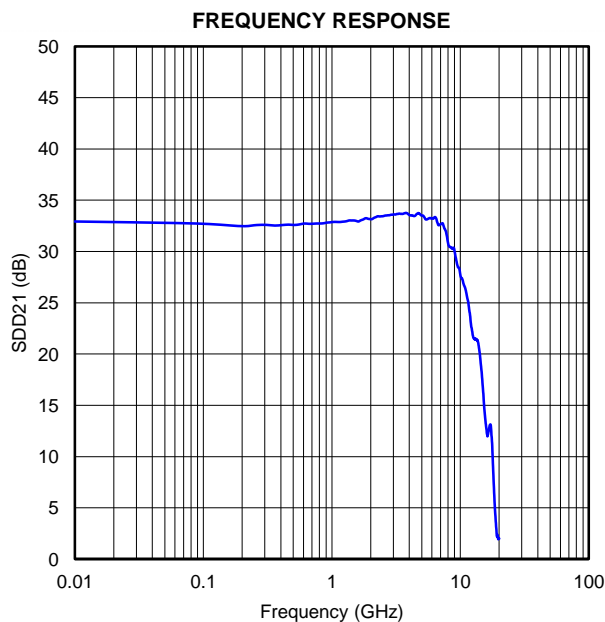


Figure 6.

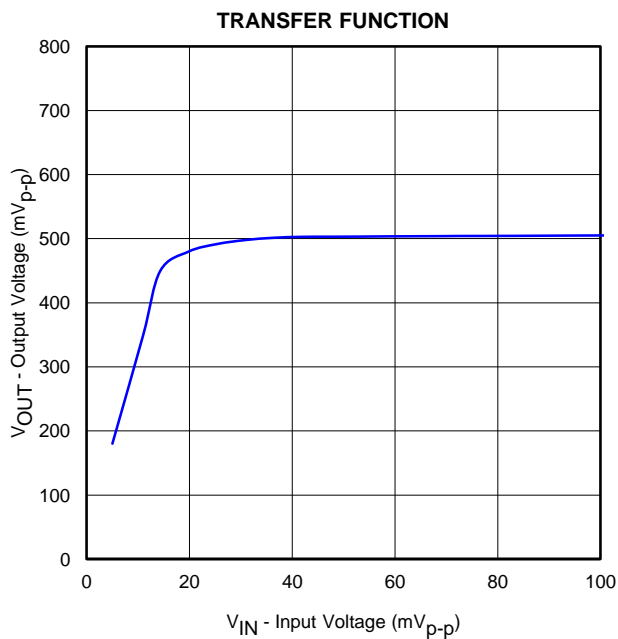


Figure 7.

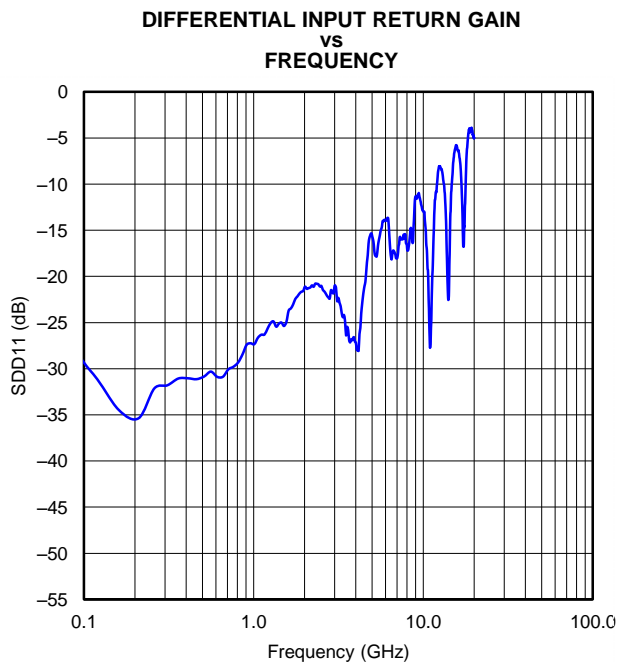


Figure 8.

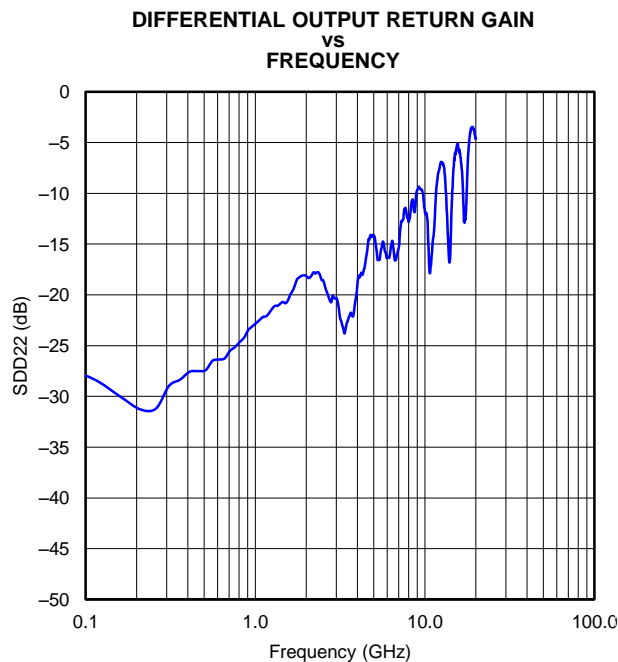


Figure 9.

TYPICAL CHARACTERISTICS (continued)

Typical operating condition is at $V_{CC} = 3.3\text{ V}$, $T_A = 25^\circ\text{C}$, and Register 7 set to 0x81 (unless otherwise noted).

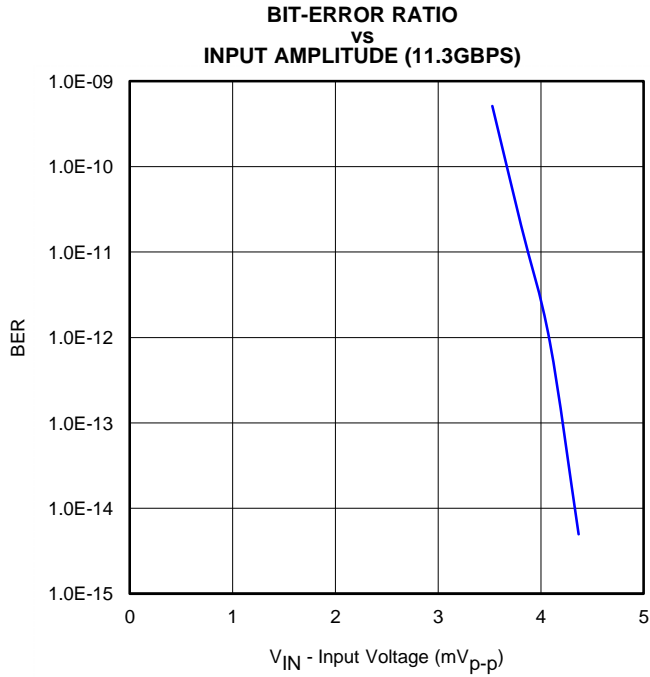


Figure 10.

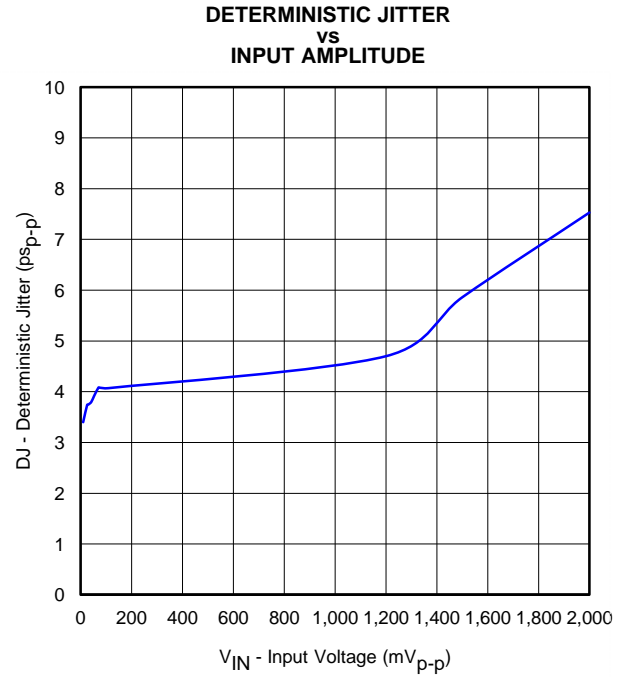


Figure 11.

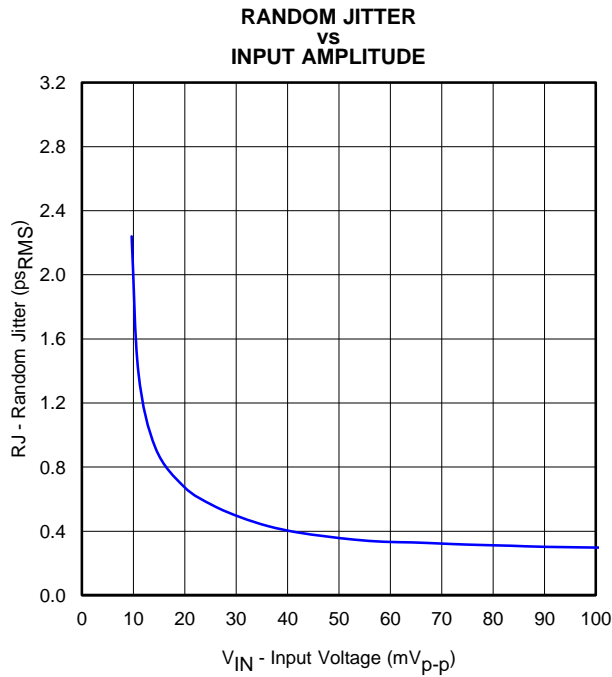


Figure 12.

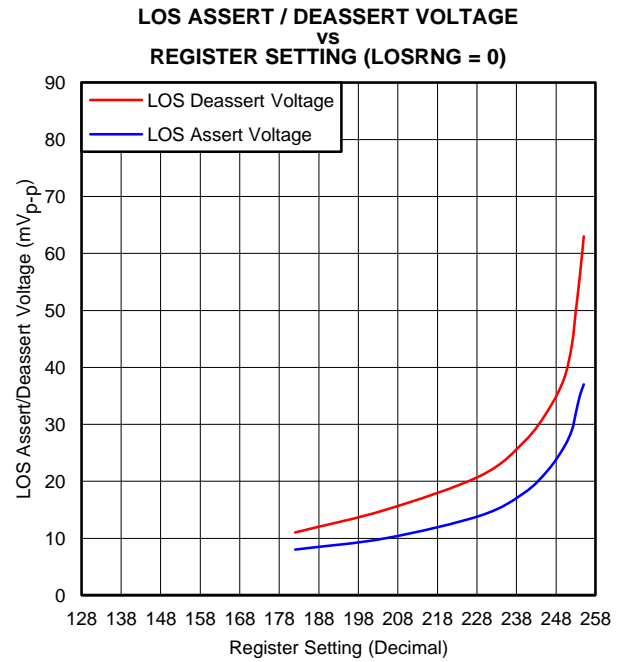


Figure 13.

TYPICAL CHARACTERISTICS (continued)

Typical operating condition is at $V_{CC} = 3.3\text{ V}$, $T_A = 25^\circ\text{C}$, and Register 7 set to 0x81 (unless otherwise noted).

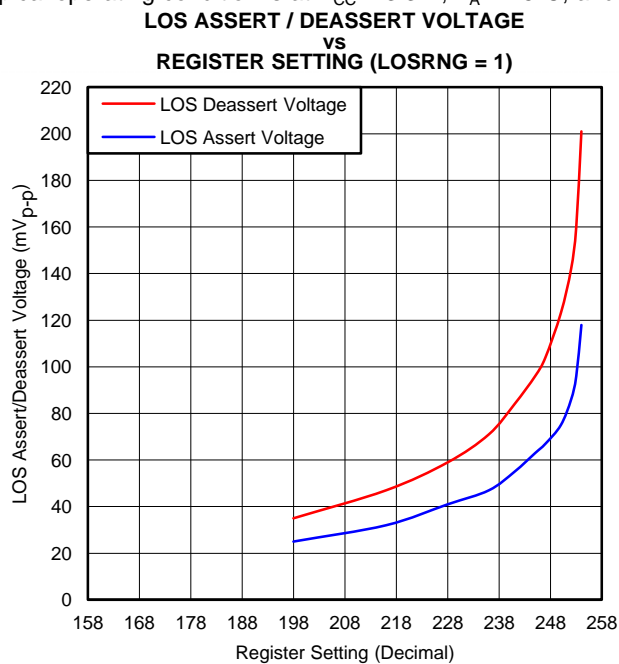


Figure 14.

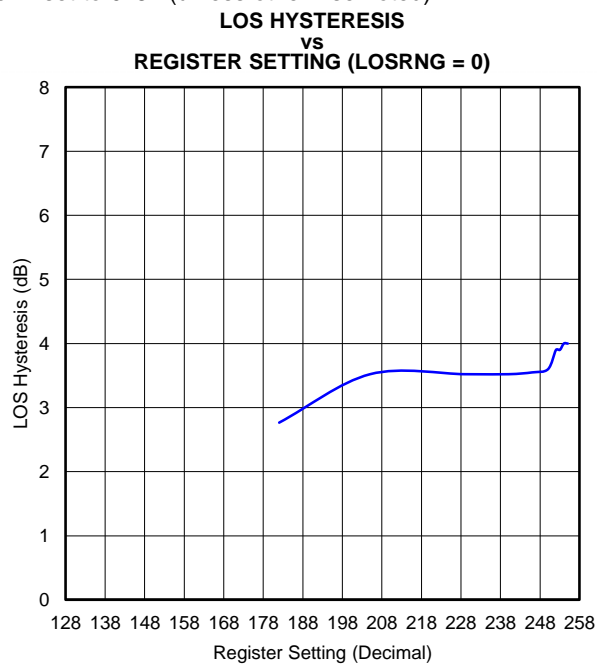


Figure 15.

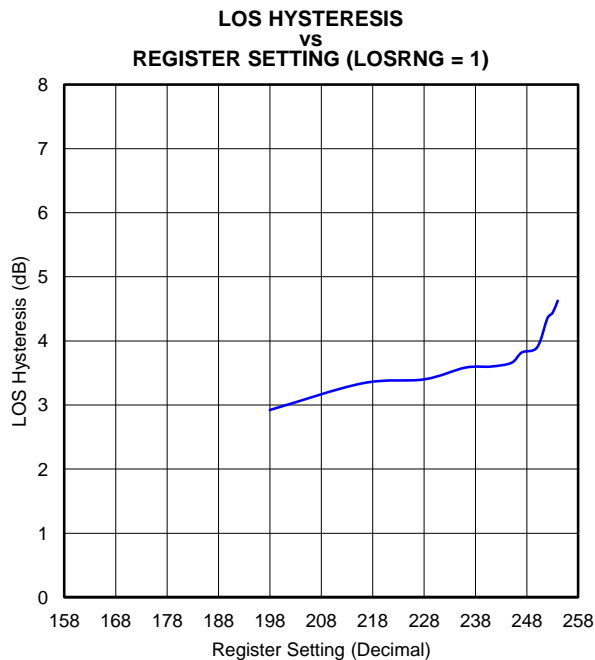


Figure 16.

TYPICAL CHARACTERISTICS (continued)

Typical operating condition is at $V_{CC} = 3.3\text{ V}$, $T_A = 25^\circ\text{C}$, and Register 7 set to 0x81 (unless otherwise noted).

**OUTPUT EYE-DIAGRAM AT 11.3 GBPS
AND 20 mV_{p-p} INPUT VOLTAGE**

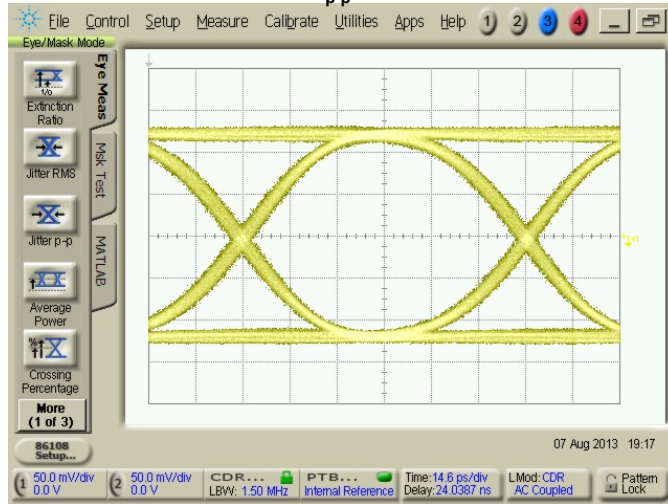


Figure 17.

**OUTPUT EYE-DIAGRAM AT 11.3 GBPS
AND MAXIMUM INPUT VOLTAGE (2000 mV_{p-p})**

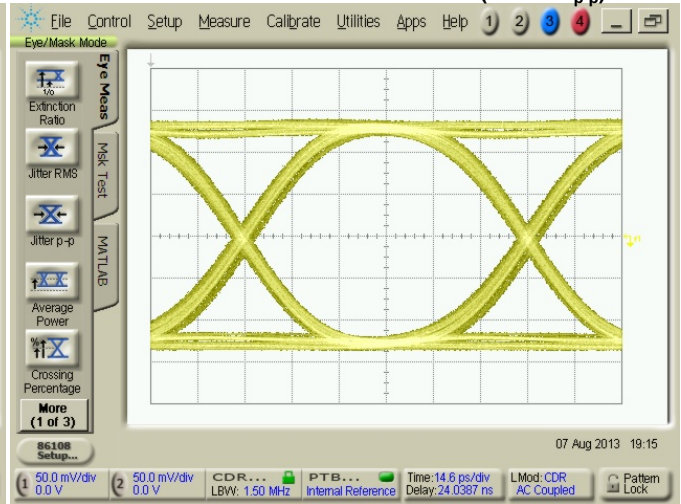


Figure 18.

**OUTPUT EYE-DIAGRAM AT 10.3 GBPS
AND 20 mV_{p-p} INPUT VOLTAGE (20 mV_{p-p})**

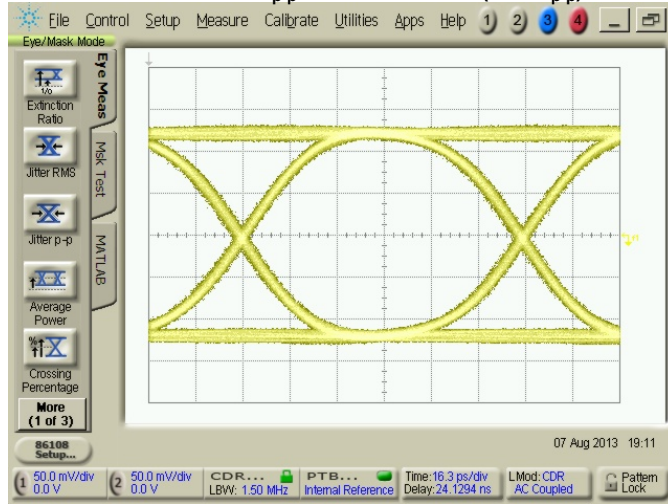


Figure 19.

**OUTPUT EYE-DIAGRAM AT 10.3 GBPS
AND MAXIMUM INPUT VOLTAGE (2000 mV_{p-p})**

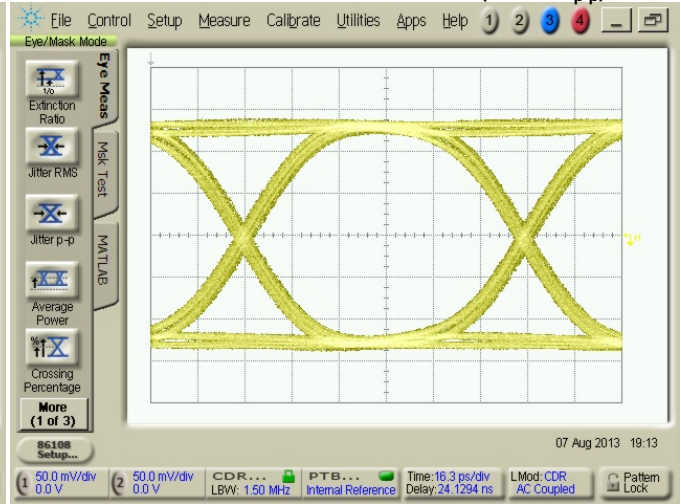


Figure 20.

PACKAGING INFORMATION

Orderable Device	Status (1)	Package Type	Package Drawing	Pins	Package Qty	Eco Plan (2)	Lead/Ball Finish	MSL Peak Temp (3)	Op Temp (°C)	Device Marking (4/5)	Samples
ONET1151PRGTR	ACTIVE	QFN	RGT	16	3000	Green (RoHS & no Sb/Br)	CU NIPDAU	Level-2-260C-1 YEAR	-40 to 100	1151P	Samples
ONET1151PRGTT	ACTIVE	QFN	RGT	16	250	Green (RoHS & no Sb/Br)	CU NIPDAU	Level-2-260C-1 YEAR	-40 to 100	1151P	Samples

(1) The marketing status values are defined as follows:

ACTIVE: Product device recommended for new designs.

LIFEBUY: TI has announced that the device will be discontinued, and a lifetime-buy period is in effect.

NRND: Not recommended for new designs. Device is in production to support existing customers, but TI does not recommend using this part in a new design.

PREVIEW: Device has been announced but is not in production. Samples may or may not be available.

OBSOLETE: TI has discontinued the production of the device.

(2) Eco Plan - The planned eco-friendly classification: Pb-Free (RoHS), Pb-Free (RoHS Exempt), or Green (RoHS & no Sb/Br) - please check <http://www.ti.com/productcontent> for the latest availability information and additional product content details.

TBD: The Pb-Free/Green conversion plan has not been defined.

Pb-Free (RoHS): TI's terms "Lead-Free" or "Pb-Free" mean semiconductor products that are compatible with the current RoHS requirements for all 6 substances, including the requirement that lead not exceed 0.1% by weight in homogeneous materials. Where designed to be soldered at high temperatures, TI Pb-Free products are suitable for use in specified lead-free processes.

Pb-Free (RoHS Exempt): This component has a RoHS exemption for either 1) lead-based flip-chip solder bumps used between the die and package, or 2) lead-based die adhesive used between the die and leadframe. The component is otherwise considered Pb-Free (RoHS compatible) as defined above.

Green (RoHS & no Sb/Br): TI defines "Green" to mean Pb-Free (RoHS compatible), and free of Bromine (Br) and Antimony (Sb) based flame retardants (Br or Sb do not exceed 0.1% by weight in homogeneous material)

(3) MSL, Peak Temp. -- The Moisture Sensitivity Level rating according to the JEDEC industry standard classifications, and peak solder temperature.

(4) There may be additional marking, which relates to the logo, the lot trace code information, or the environmental category on the device.

(5) Multiple Device Markings will be inside parentheses. Only one Device Marking contained in parentheses and separated by a "~" will appear on a device. If a line is indented then it is a continuation of the previous line and the two combined represent the entire Device Marking for that device.

Important Information and Disclaimer: The information provided on this page represents TI's knowledge and belief as of the date that it is provided. TI bases its knowledge and belief on information provided by third parties, and makes no representation or warranty as to the accuracy of such information. Efforts are underway to better integrate information from third parties. TI has taken and continues to take reasonable steps to provide representative and accurate information but may not have conducted destructive testing or chemical analysis on incoming materials and chemicals. TI and TI suppliers consider certain information to be proprietary, and thus CAS numbers and other limited information may not be available for release.

In no event shall TI's liability arising out of such information exceed the total purchase price of the TI part(s) at issue in this document sold by TI to Customer on an annual basis.

TAPE AND REEL INFORMATION



QUADRANT ASSIGNMENTS FOR PIN 1 ORIENTATION IN TAPE



*All dimensions are nominal

Device	Package Type	Package Drawing	Pins	SPQ	Reel Diameter (mm)	Reel Width W1 (mm)	A0 (mm)	B0 (mm)	K0 (mm)	P1 (mm)	W (mm)	Pin1 Quadrant
ONET1151PRGTR	QFN	RGT	16	3000	330.0	12.4	3.3	3.3	1.1	8.0	12.0	Q2
ONET1151PRGTT	QFN	RGT	16	250	180.0	12.4	3.3	3.3	1.1	8.0	12.0	Q2

TAPE AND REEL BOX DIMENSIONS



*All dimensions are nominal

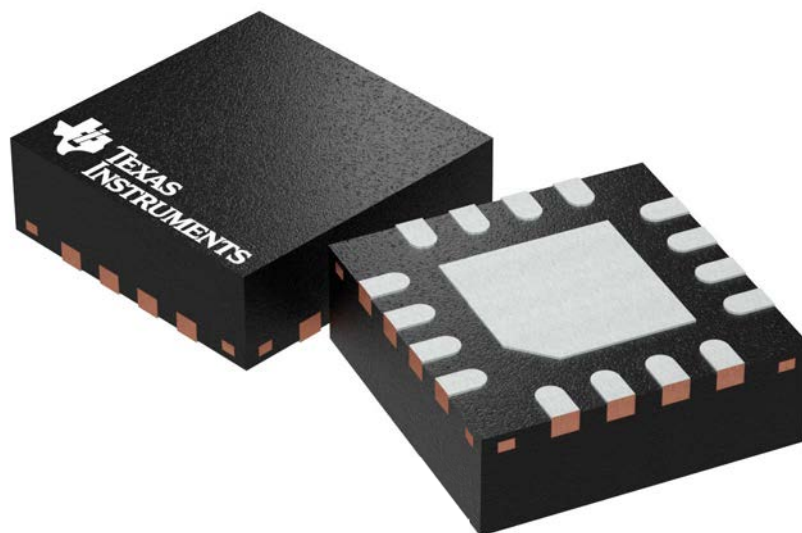
Device	Package Type	Package Drawing	Pins	SPQ	Length (mm)	Width (mm)	Height (mm)
ONET1151PRGTR	QFN	RGT	16	3000	367.0	367.0	35.0
ONET1151PRGTT	QFN	RGT	16	250	210.0	185.0	35.0

RGT 16

GENERIC PACKAGE VIEW

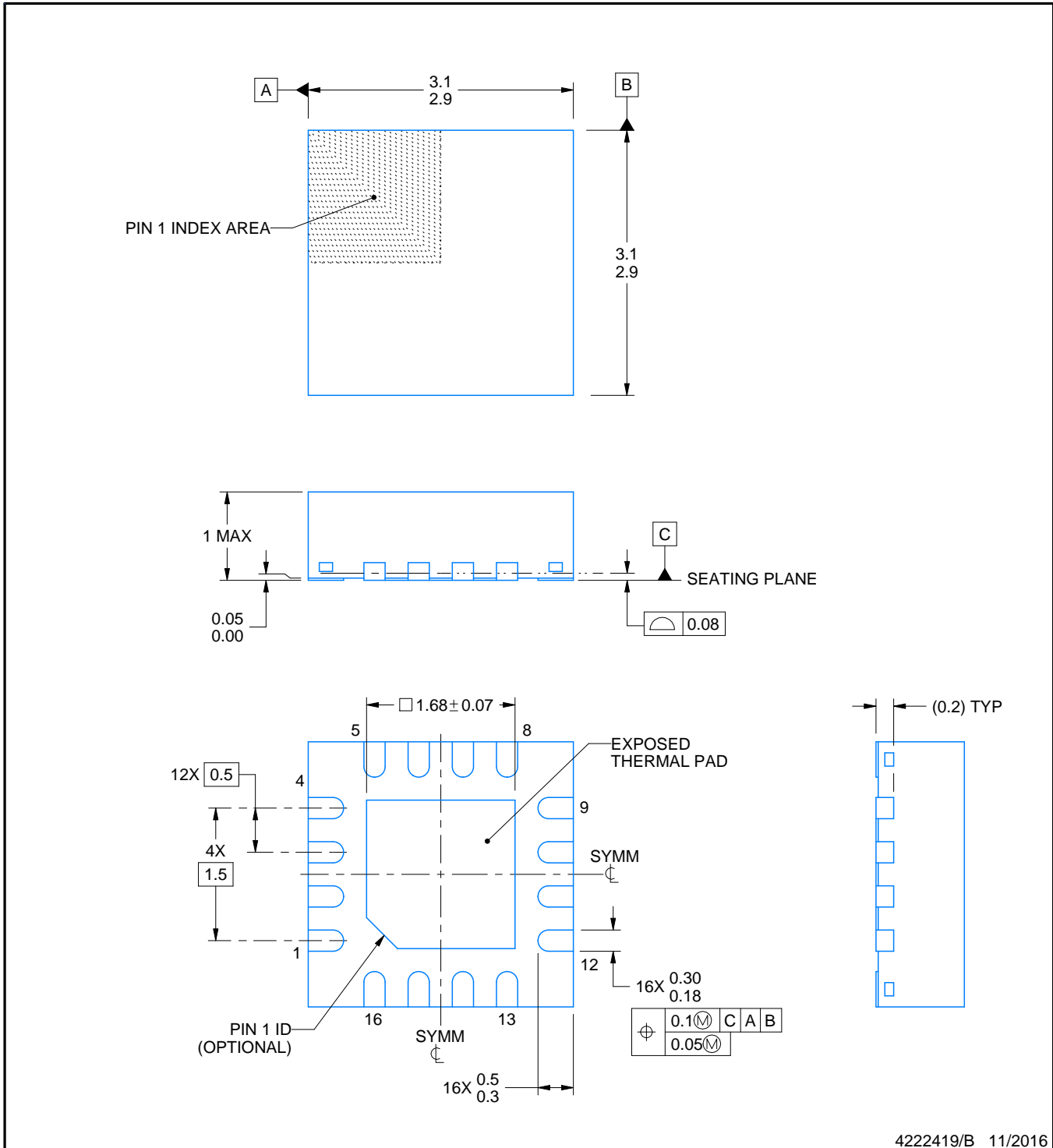
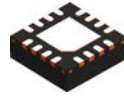
VQFN - 1 mm max height

PLASTIC QUAD FLATPACK - NO LEAD



Images above are just a representation of the package family, actual package may vary.
Refer to the product data sheet for package details.

4203495/1



4222419/B 11/2016

NOTES:

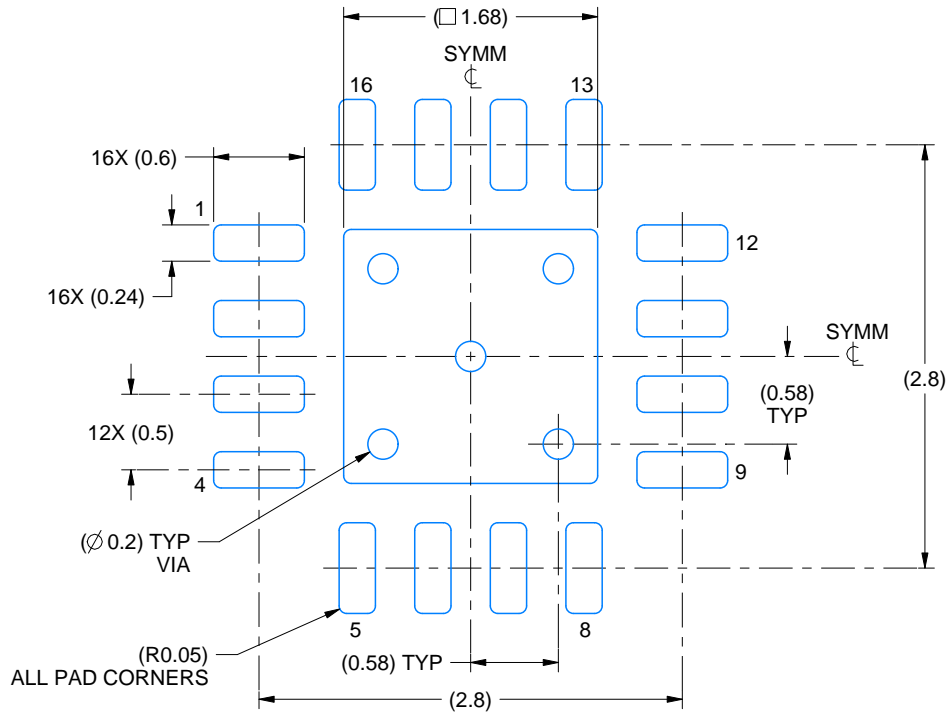
1. All linear dimensions are in millimeters. Any dimensions in parenthesis are for reference only. Dimensioning and tolerancing per ASME Y14.5M.
2. This drawing is subject to change without notice.
3. The package thermal pad must be soldered to the printed circuit board for thermal and mechanical performance.

EXAMPLE BOARD LAYOUT

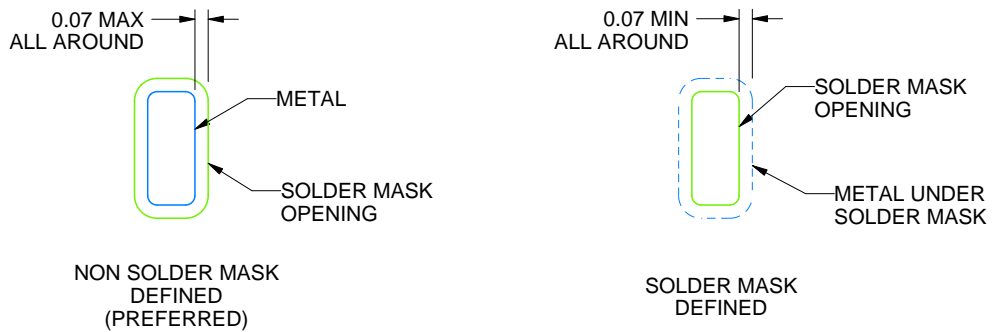
RGT0016C

VQFN - 1 mm max height

PLASTIC QUAD FLATPACK - NO LEAD



LAND PATTERN EXAMPLE
SCALE:20X



SOLDER MASK DETAILS

4222419/B 11/2016

NOTES: (continued)

4. This package is designed to be soldered to a thermal pad on the board. For more information, see Texas Instruments literature number SLUA271 (www.ti.com/lit/sluea271).
5. Vias are optional depending on application, refer to device data sheet. If any vias are implemented, refer to their locations shown on this view. It is recommended that vias under paste be filled, plugged or tented.

IMPORTANT NOTICE

Texas Instruments Incorporated (TI) reserves the right to make corrections, enhancements, improvements and other changes to its semiconductor products and services per JESD46, latest issue, and to discontinue any product or service per JESD48, latest issue. Buyers should obtain the latest relevant information before placing orders and should verify that such information is current and complete.

TI's published terms of sale for semiconductor products (<http://www.ti.com/sc/docs/stdterms.htm>) apply to the sale of packaged integrated circuit products that TI has qualified and released to market. Additional terms may apply to the use or sale of other types of TI products and services.

Reproduction of significant portions of TI information in TI data sheets is permissible only if reproduction is without alteration and is accompanied by all associated warranties, conditions, limitations, and notices. TI is not responsible or liable for such reproduced documentation. Information of third parties may be subject to additional restrictions. Resale of TI products or services with statements different from or beyond the parameters stated by TI for that product or service voids all express and any implied warranties for the associated TI product or service and is an unfair and deceptive business practice. TI is not responsible or liable for any such statements.

Buyers and others who are developing systems that incorporate TI products (collectively, "Designers") understand and agree that Designers remain responsible for using their independent analysis, evaluation and judgment in designing their applications and that Designers have full and exclusive responsibility to assure the safety of Designers' applications and compliance of their applications (and of all TI products used in or for Designers' applications) with all applicable regulations, laws and other applicable requirements. Designer represents that, with respect to their applications, Designer has all the necessary expertise to create and implement safeguards that (1) anticipate dangerous consequences of failures, (2) monitor failures and their consequences, and (3) lessen the likelihood of failures that might cause harm and take appropriate actions. Designer agrees that prior to using or distributing any applications that include TI products, Designer will thoroughly test such applications and the functionality of such TI products as used in such applications.

TI's provision of technical, application or other design advice, quality characterization, reliability data or other services or information, including, but not limited to, reference designs and materials relating to evaluation modules, (collectively, "TI Resources") are intended to assist designers who are developing applications that incorporate TI products; by downloading, accessing or using TI Resources in any way, Designer (individually or, if Designer is acting on behalf of a company, Designer's company) agrees to use any particular TI Resource solely for this purpose and subject to the terms of this Notice.

TI's provision of TI Resources does not expand or otherwise alter TI's applicable published warranties or warranty disclaimers for TI products, and no additional obligations or liabilities arise from TI providing such TI Resources. TI reserves the right to make corrections, enhancements, improvements and other changes to its TI Resources. TI has not conducted any testing other than that specifically described in the published documentation for a particular TI Resource.

Designer is authorized to use, copy and modify any individual TI Resource only in connection with the development of applications that include the TI product(s) identified in such TI Resource. NO OTHER LICENSE, EXPRESS OR IMPLIED, BY ESTOPPEL OR OTHERWISE TO ANY OTHER TI INTELLECTUAL PROPERTY RIGHT, AND NO LICENSE TO ANY TECHNOLOGY OR INTELLECTUAL PROPERTY RIGHT OF TI OR ANY THIRD PARTY IS GRANTED HEREIN, including but not limited to any patent right, copyright, mask work right, or other intellectual property right relating to any combination, machine, or process in which TI products or services are used. Information regarding or referencing third-party products or services does not constitute a license to use such products or services, or a warranty or endorsement thereof. Use of TI Resources may require a license from a third party under the patents or other intellectual property of the third party, or a license from TI under the patents or other intellectual property of TI.

TI RESOURCES ARE PROVIDED "AS IS" AND WITH ALL FAULTS. TI DISCLAIMS ALL OTHER WARRANTIES OR REPRESENTATIONS, EXPRESS OR IMPLIED, REGARDING RESOURCES OR USE THEREOF, INCLUDING BUT NOT LIMITED TO ACCURACY OR COMPLETENESS, TITLE, ANY EPIDEMIC FAILURE WARRANTY AND ANY IMPLIED WARRANTIES OF MERCHANTABILITY, FITNESS FOR A PARTICULAR PURPOSE, AND NON-INFRINGEMENT OF ANY THIRD PARTY INTELLECTUAL PROPERTY RIGHTS. TI SHALL NOT BE LIABLE FOR AND SHALL NOT DEFEND OR INDEMNIFY DESIGNER AGAINST ANY CLAIM, INCLUDING BUT NOT LIMITED TO ANY INFRINGEMENT CLAIM THAT RELATES TO OR IS BASED ON ANY COMBINATION OF PRODUCTS EVEN IF DESCRIBED IN TI RESOURCES OR OTHERWISE. IN NO EVENT SHALL TI BE LIABLE FOR ANY ACTUAL, DIRECT, SPECIAL, COLLATERAL, INDIRECT, PUNITIVE, INCIDENTAL, CONSEQUENTIAL OR EXEMPLARY DAMAGES IN CONNECTION WITH OR ARISING OUT OF TI RESOURCES OR USE THEREOF, AND REGARDLESS OF WHETHER TI HAS BEEN ADVISED OF THE POSSIBILITY OF SUCH DAMAGES.

Unless TI has explicitly designated an individual product as meeting the requirements of a particular industry standard (e.g., ISO/TS 16949 and ISO 26262), TI is not responsible for any failure to meet such industry standard requirements.

Where TI specifically promotes products as facilitating functional safety or as compliant with industry functional safety standards, such products are intended to help enable customers to design and create their own applications that meet applicable functional safety standards and requirements. Using products in an application does not by itself establish any safety features in the application. Designers must ensure compliance with safety-related requirements and standards applicable to their applications. Designer may not use any TI products in life-critical medical equipment unless authorized officers of the parties have executed a special contract specifically governing such use. Life-critical medical equipment is medical equipment where failure of such equipment would cause serious bodily injury or death (e.g., life support, pacemakers, defibrillators, heart pumps, neurostimulators, and implantables). Such equipment includes, without limitation, all medical devices identified by the U.S. Food and Drug Administration as Class III devices and equivalent classifications outside the U.S.

TI may expressly designate certain products as completing a particular qualification (e.g., Q100, Military Grade, or Enhanced Product). Designers agree that it has the necessary expertise to select the product with the appropriate qualification designation for their applications and that proper product selection is at Designers' own risk. Designers are solely responsible for compliance with all legal and regulatory requirements in connection with such selection.

Designer will fully indemnify TI and its representatives against any damages, costs, losses, and/or liabilities arising out of Designer's non-compliance with the terms and provisions of this Notice.